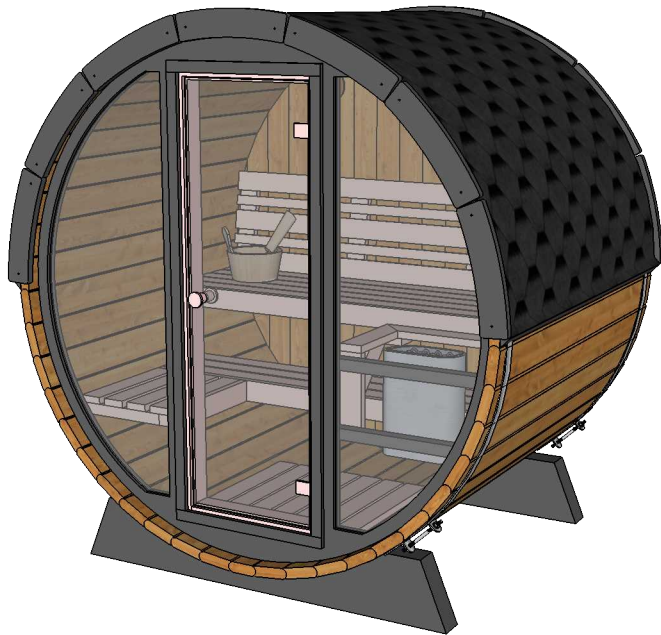
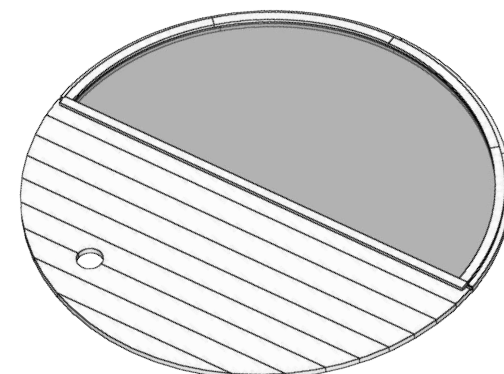
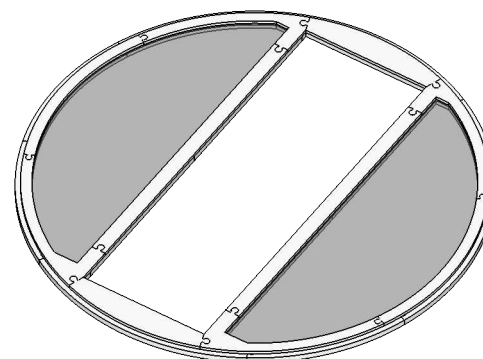
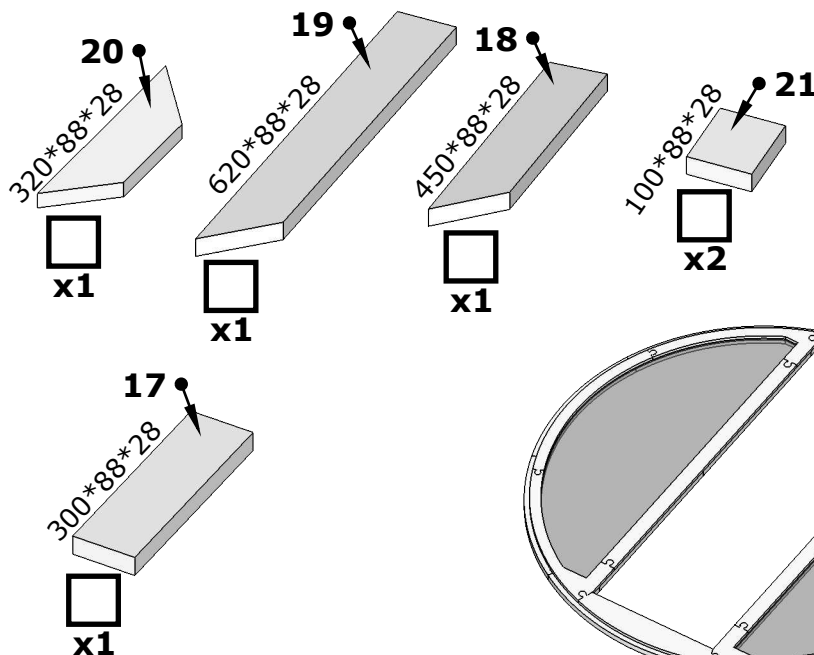
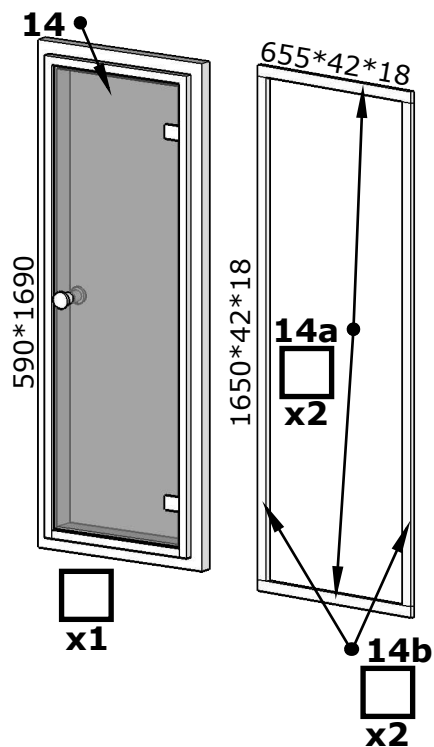
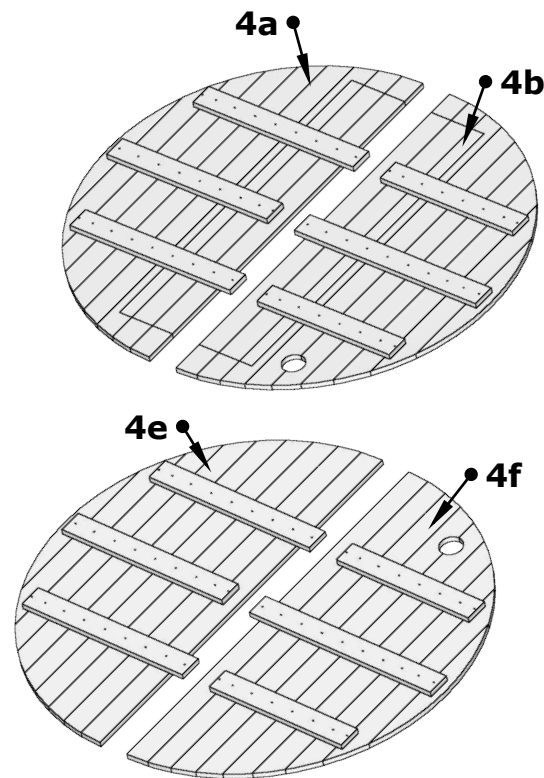
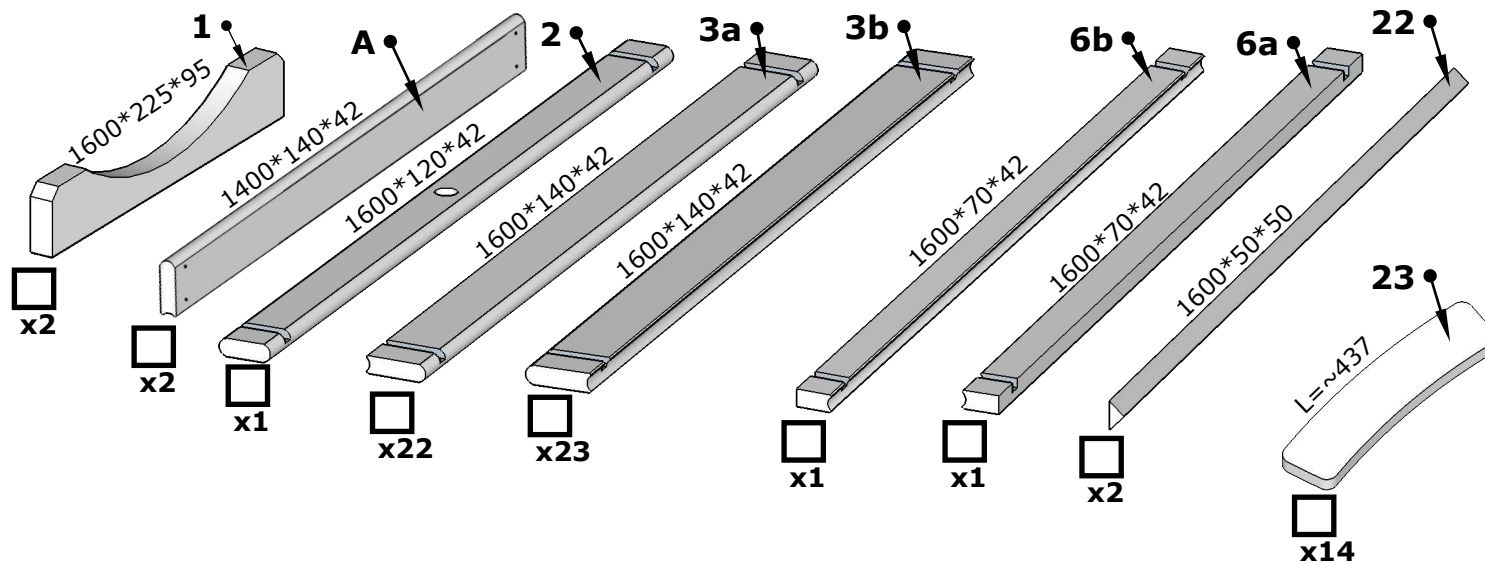


# Sauna 160, Ø200



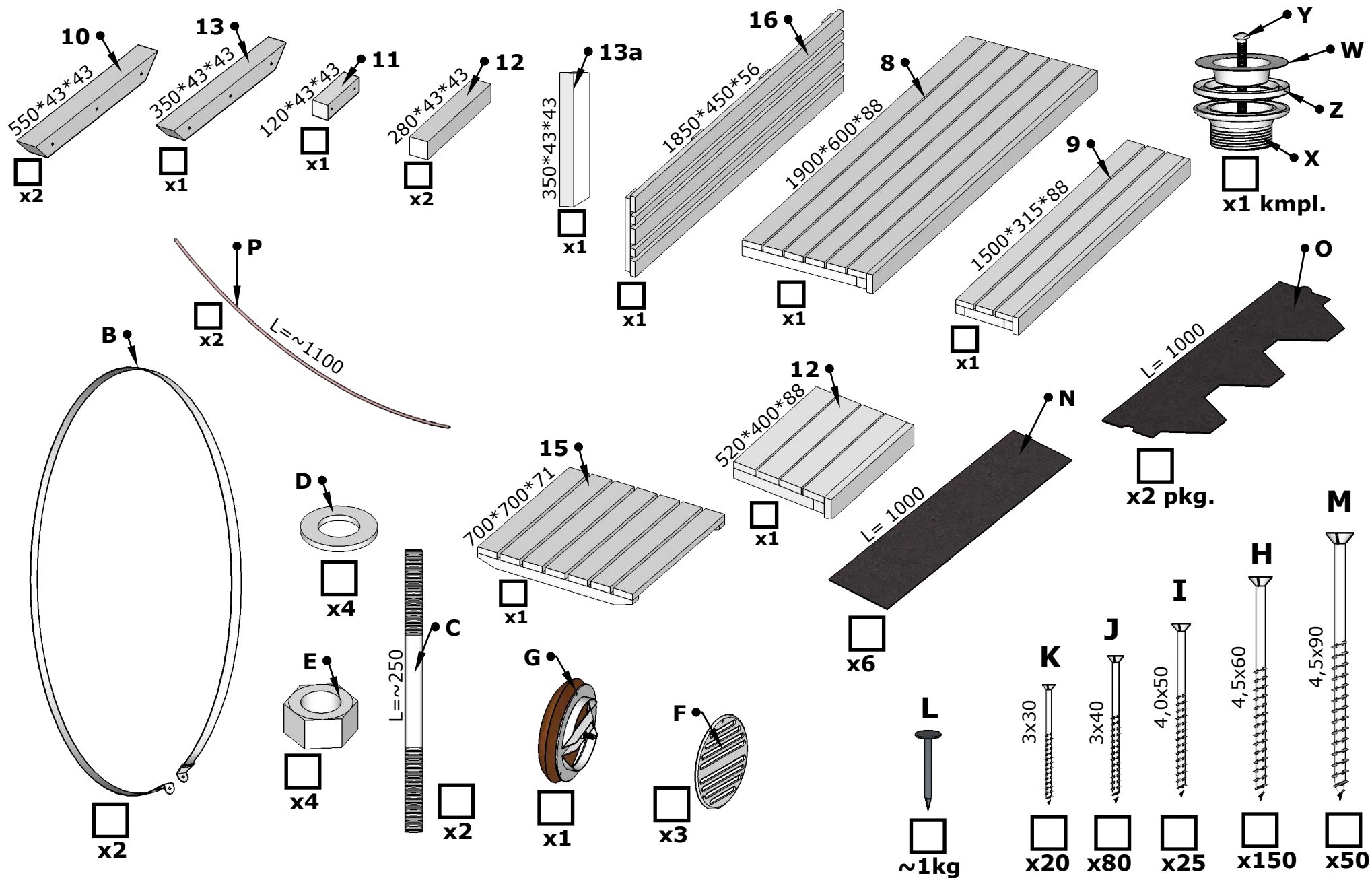
# Sauna 160, Ø200

## Details list nr.1

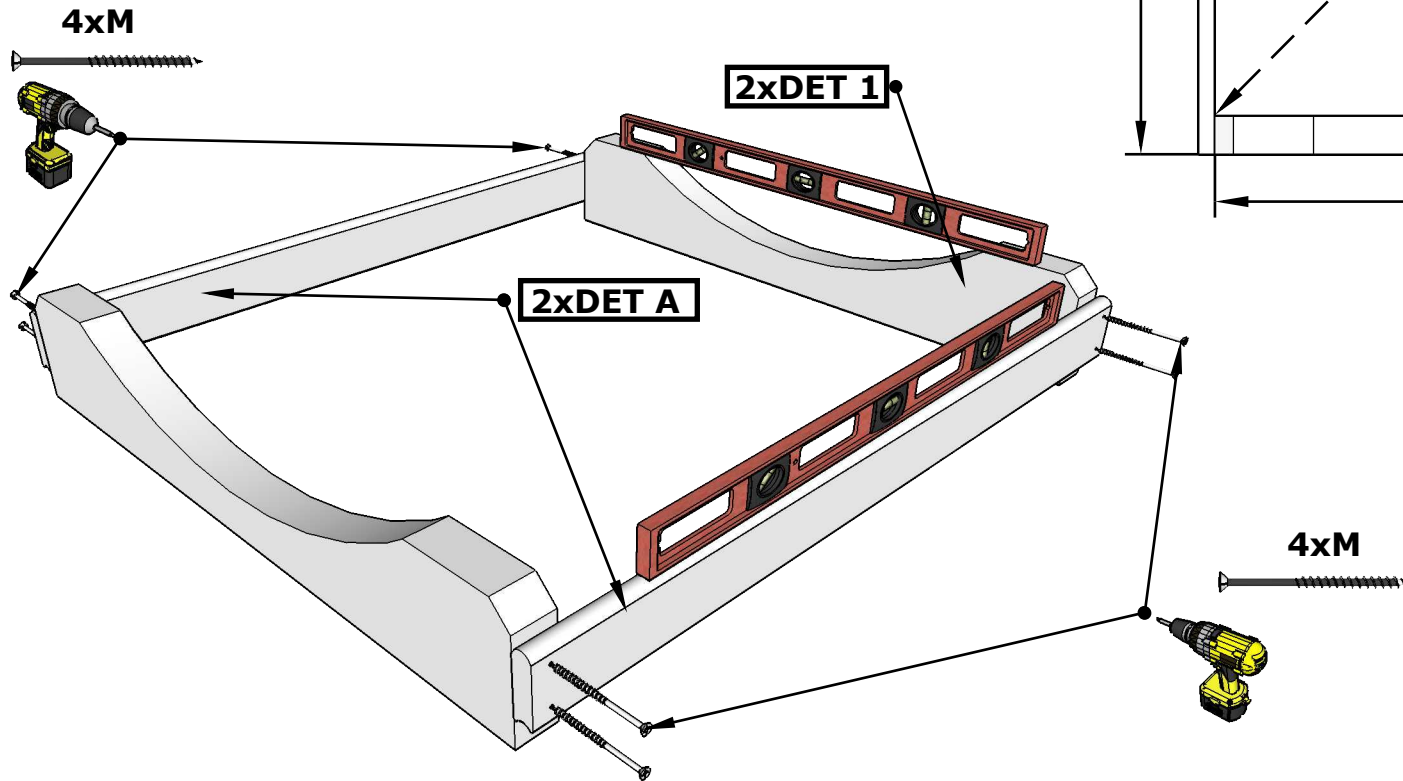
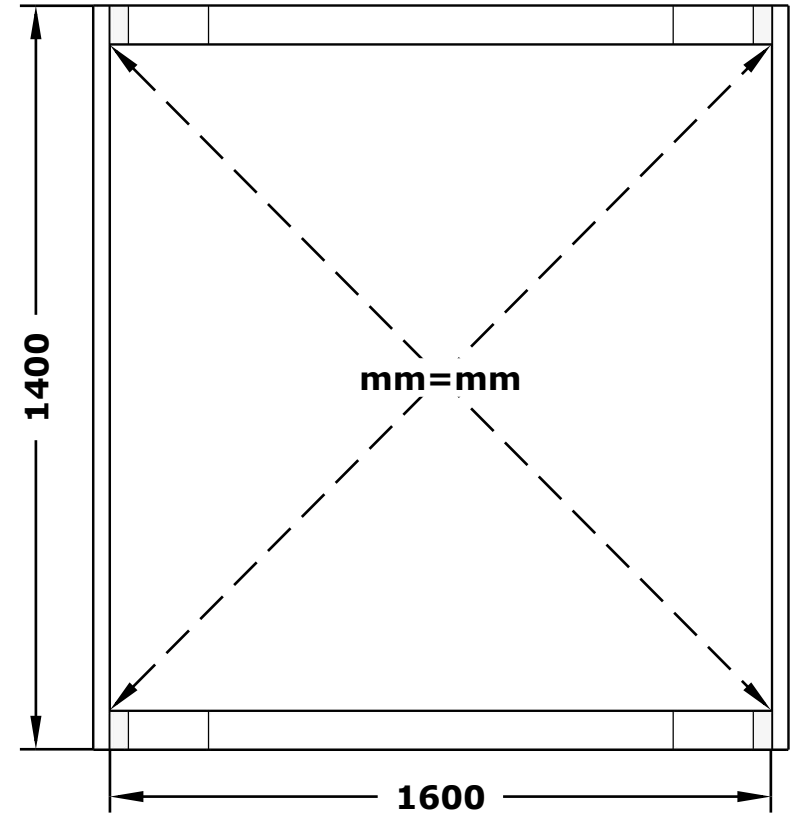
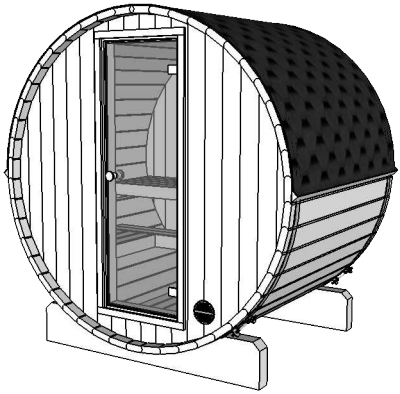


# Sauna 160, Ø200

## Details list nr.2

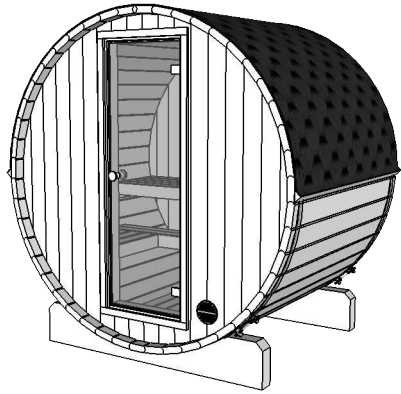


# Sauna 160, Ø200

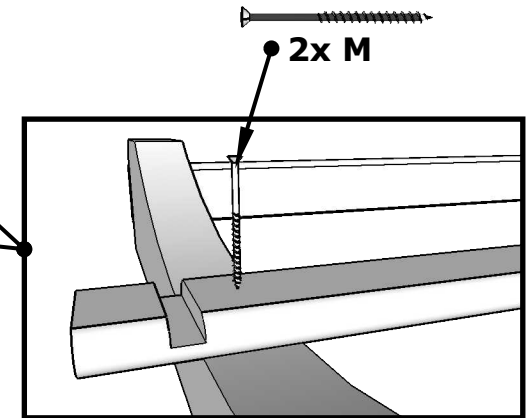
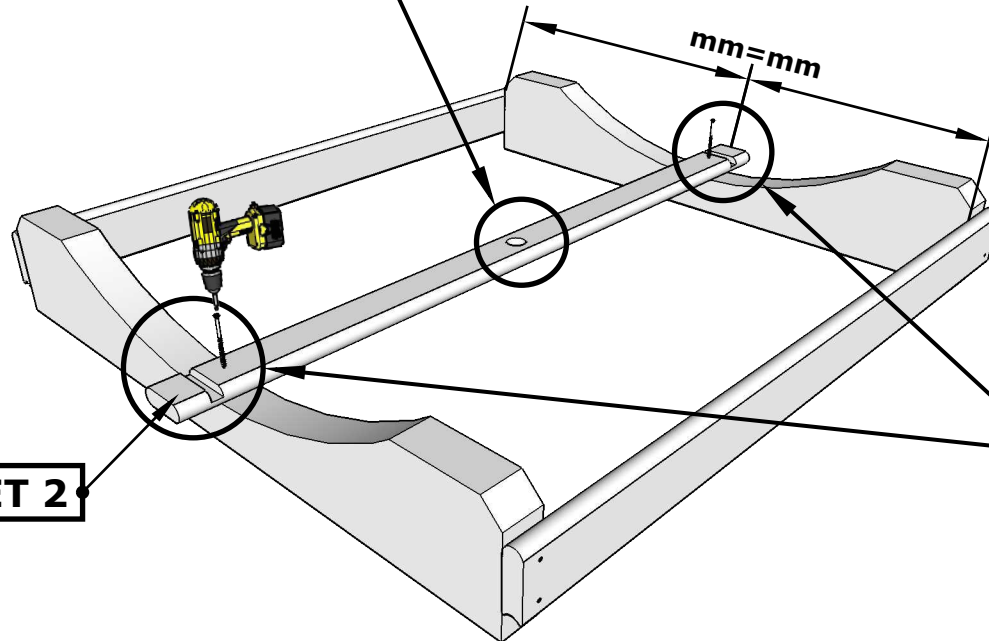
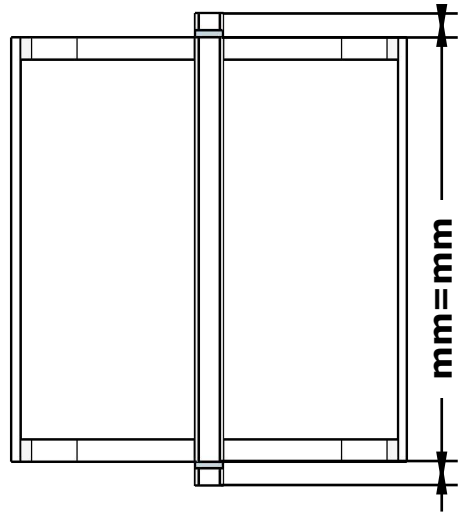
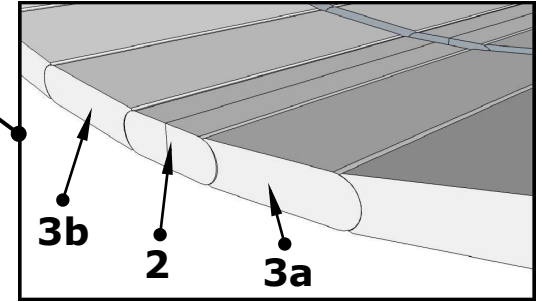
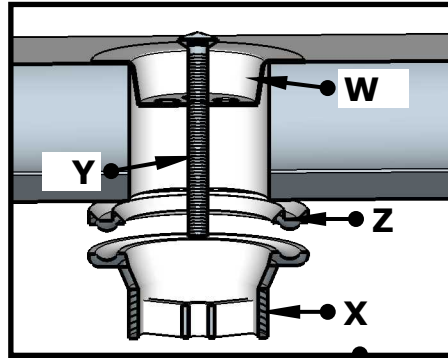
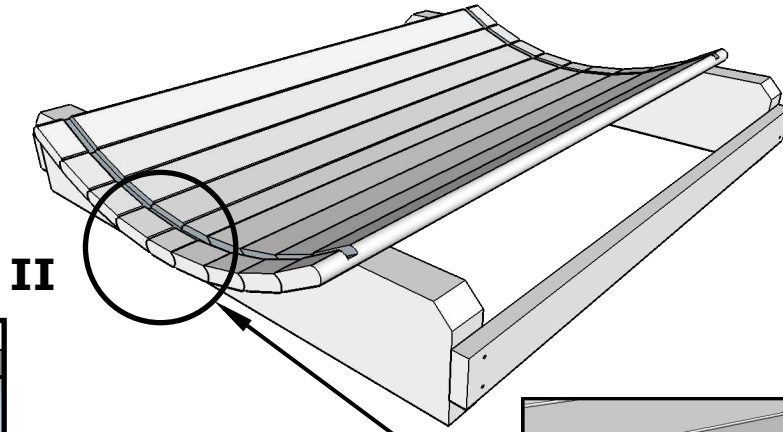


1.

# Sauna 160, Ø200



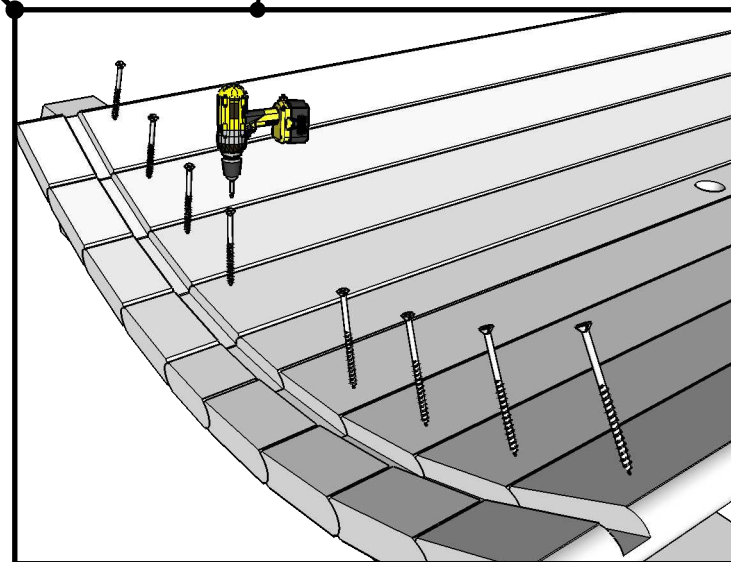
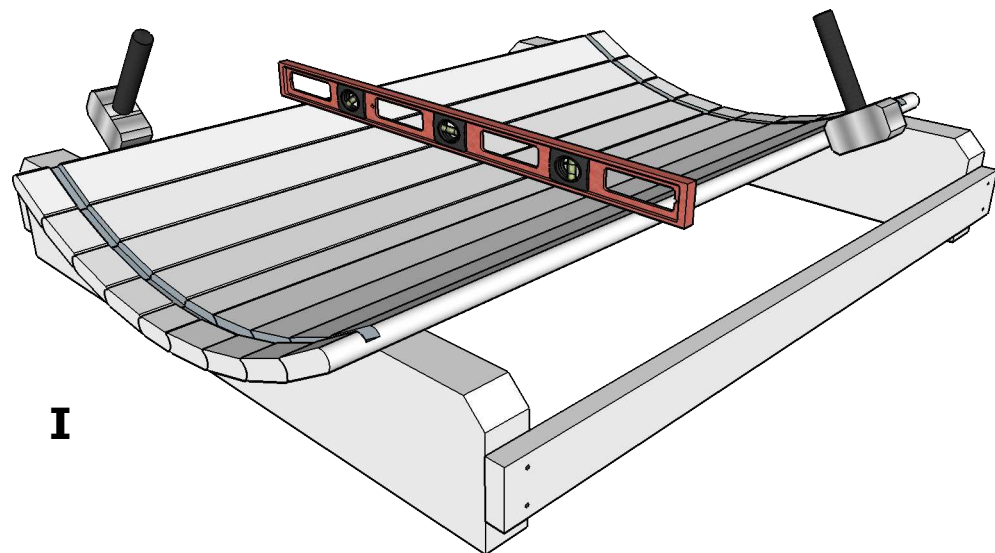
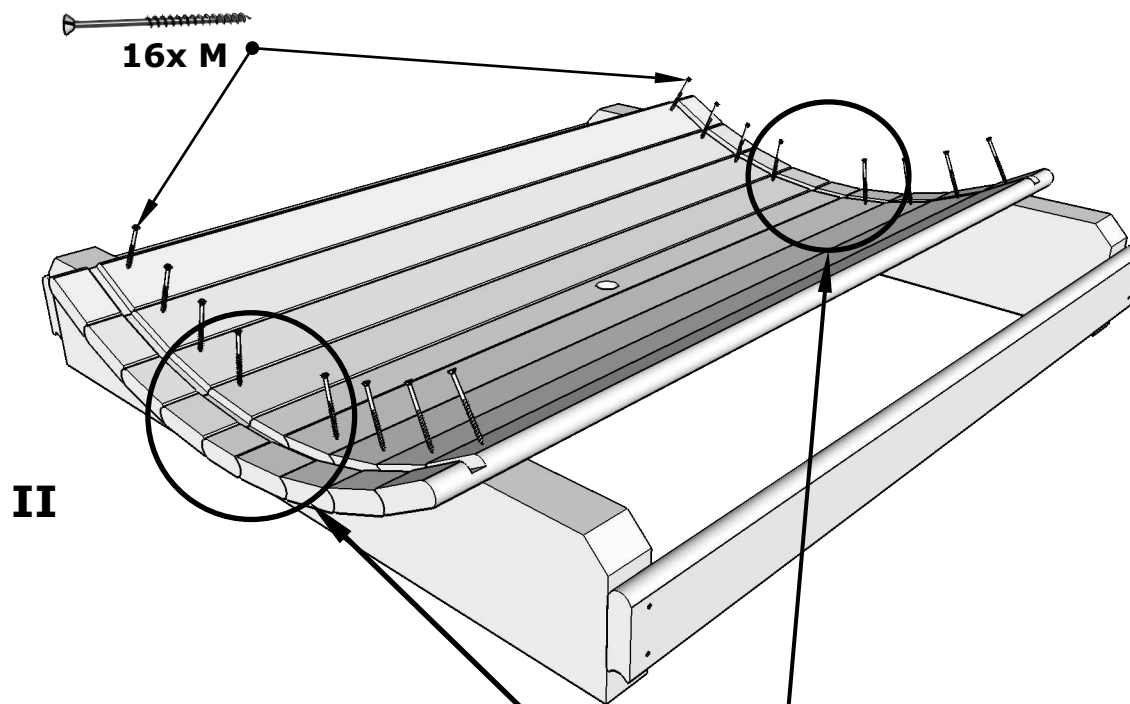
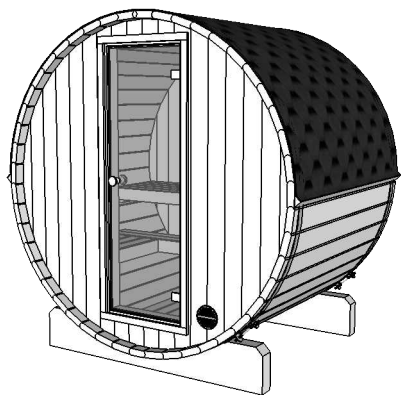
4 x DET 3a  
4 x DET 3b



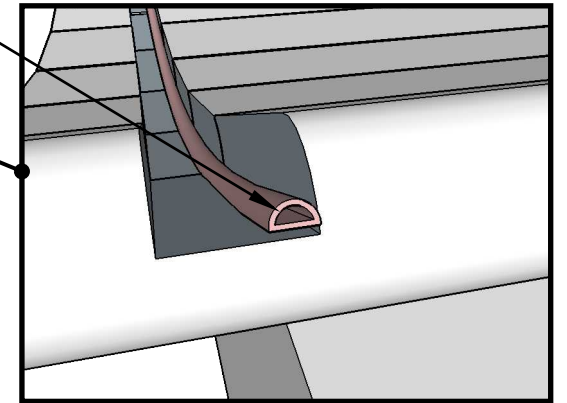
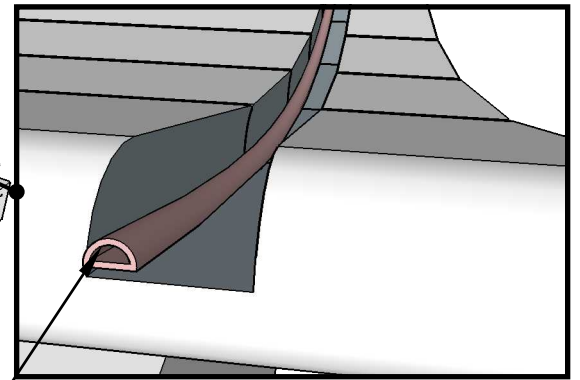
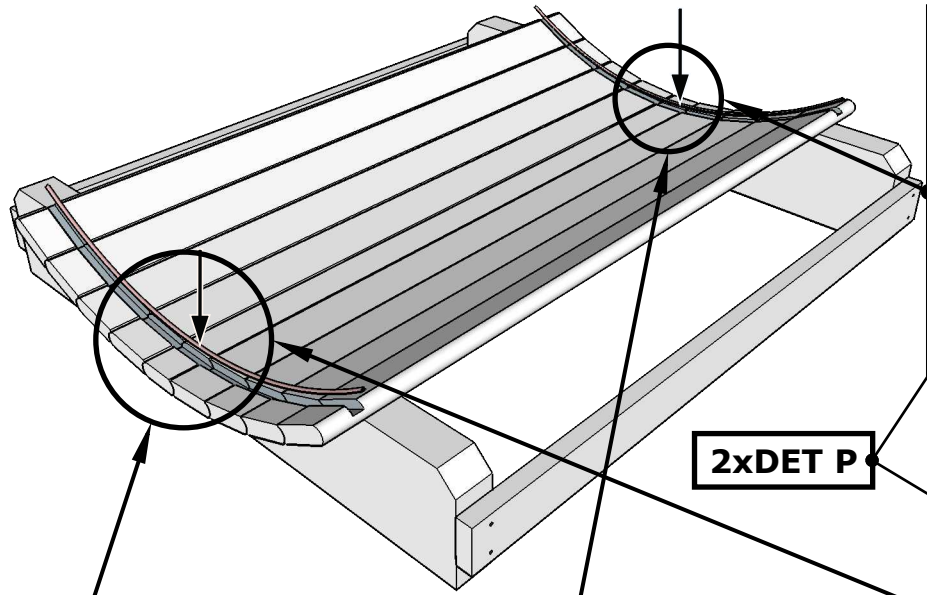
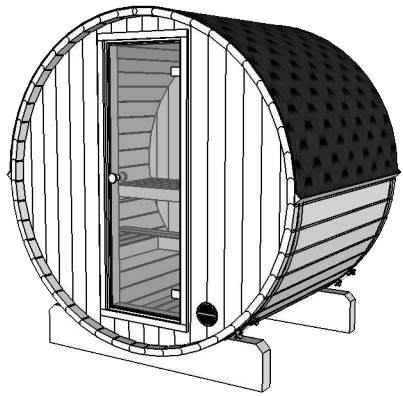
I

1x DET 2

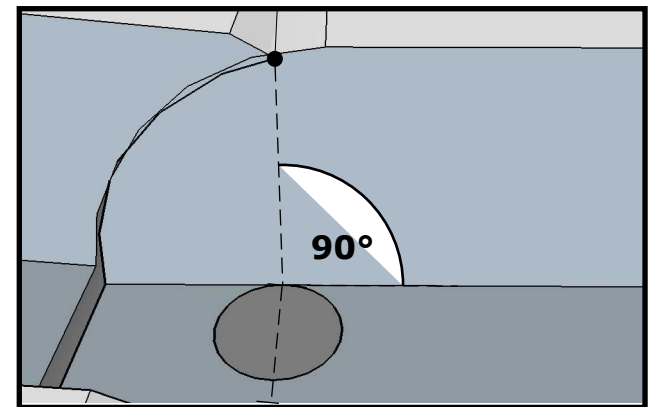
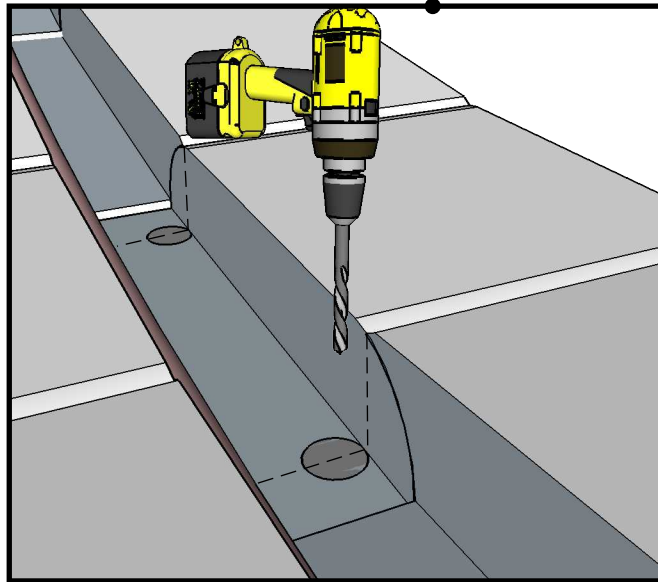
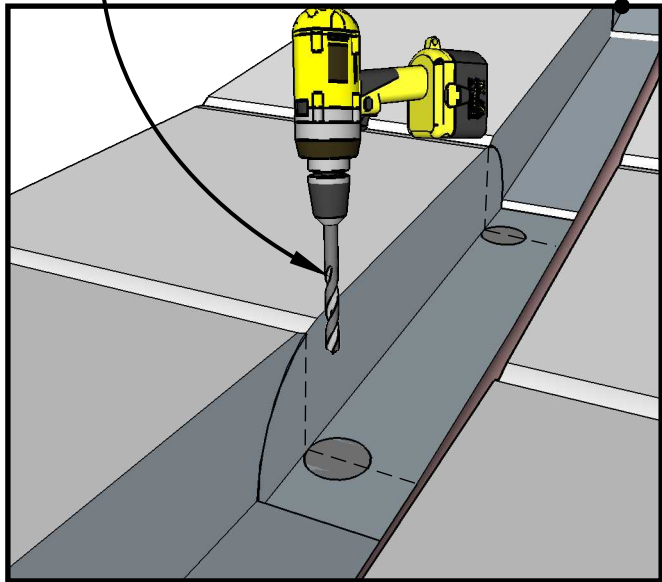
# Sauna 160, Ø200



# Sauna 160, Ø200



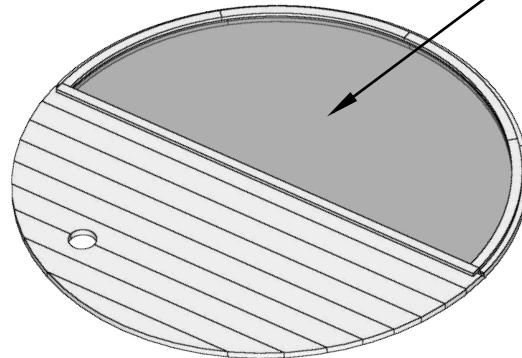
• Drill 2 holes into  
DET 2 Ø10mm.



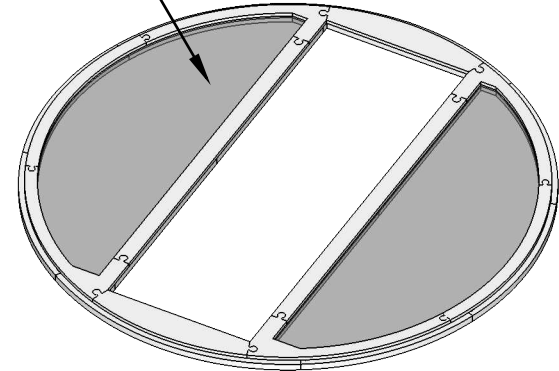
# Sauna 160, Ø200



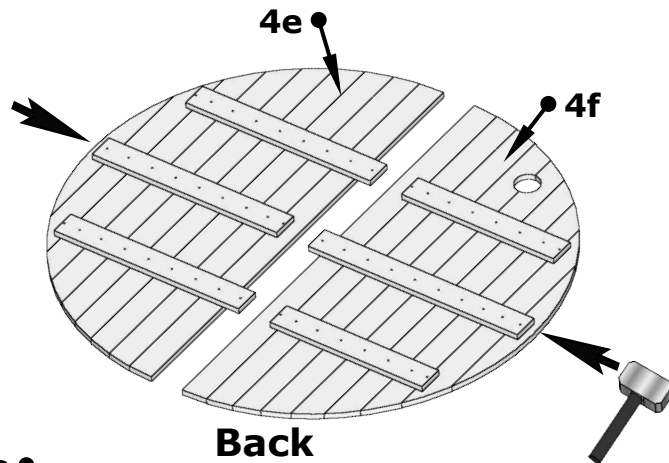
Check glass walls installation on extra pages.



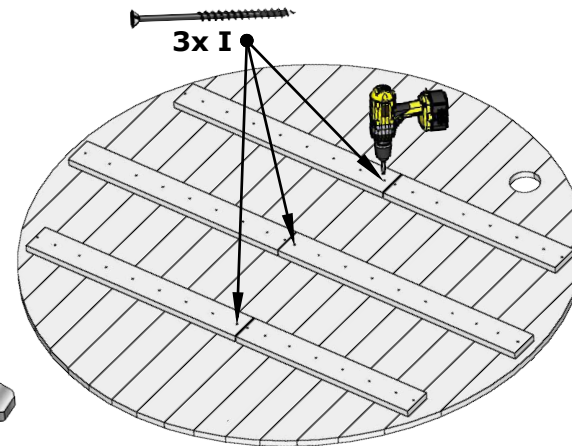
Back



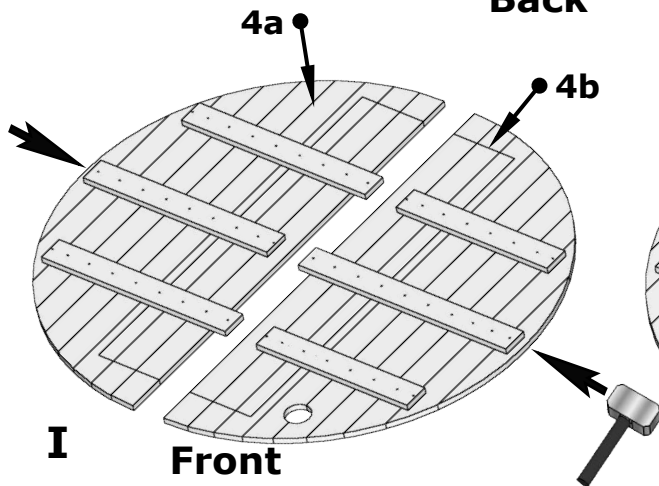
Front



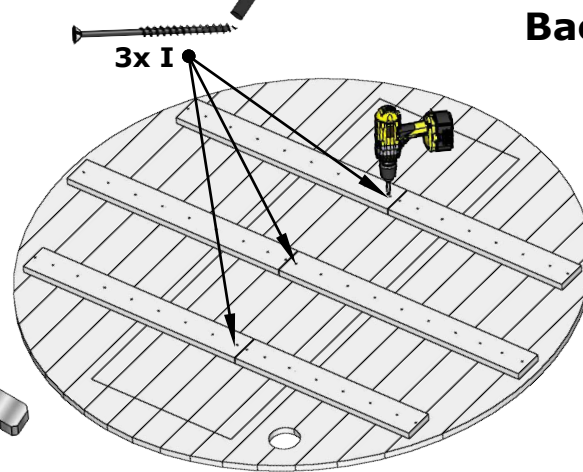
Back



Back



I Front



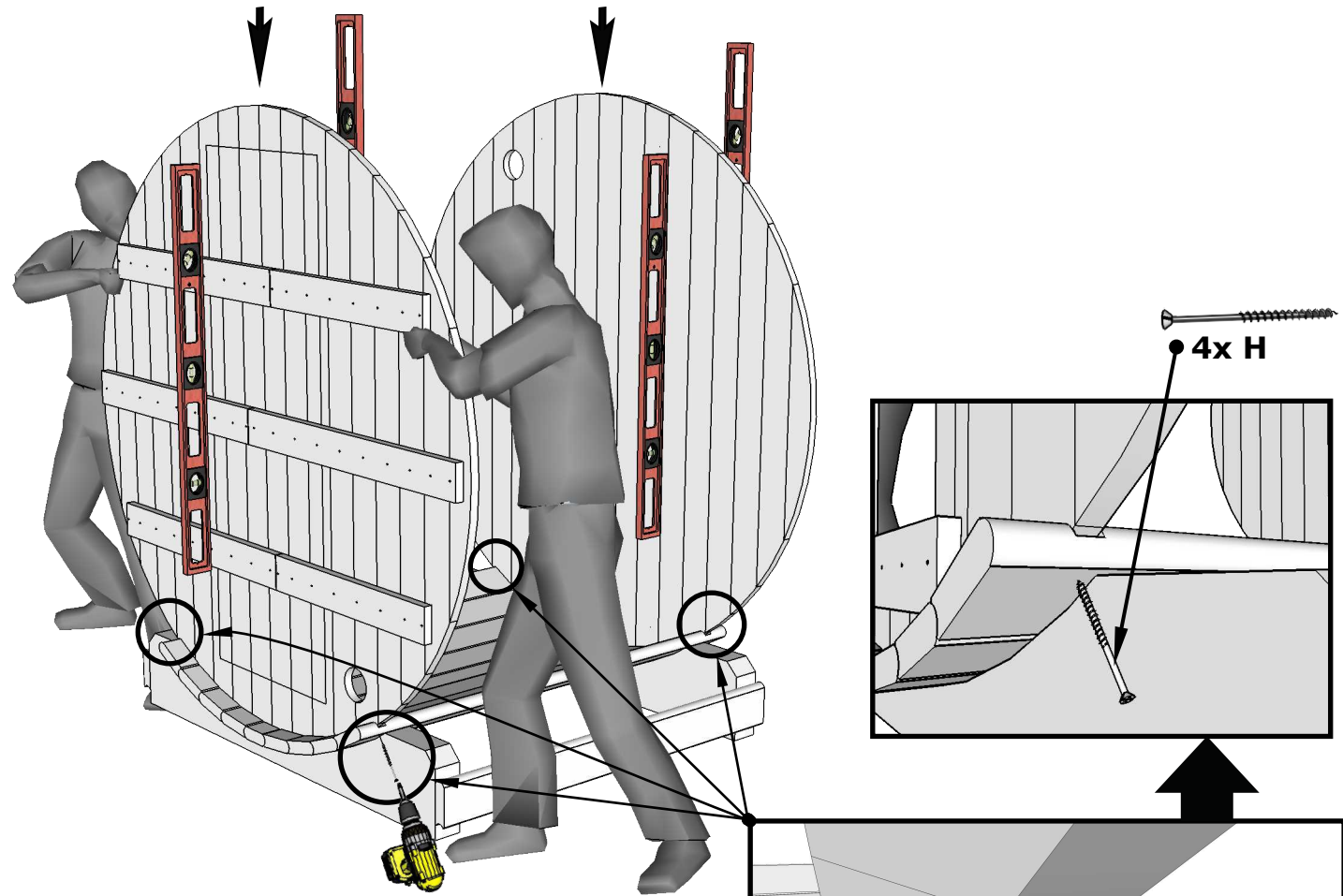
II Front

**Walls configuration depends on Your model!**

**4.**



# Sauna 160, Ø200

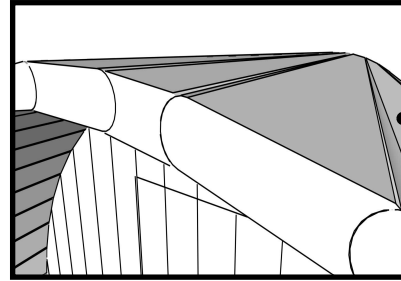
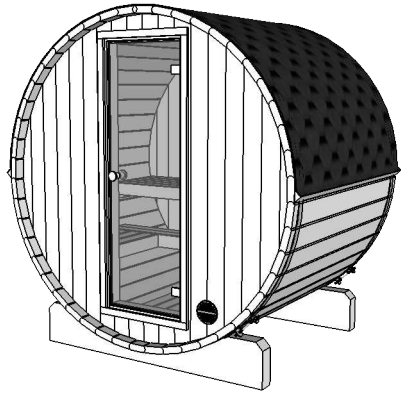


**Walls configuration depends on Your model!**

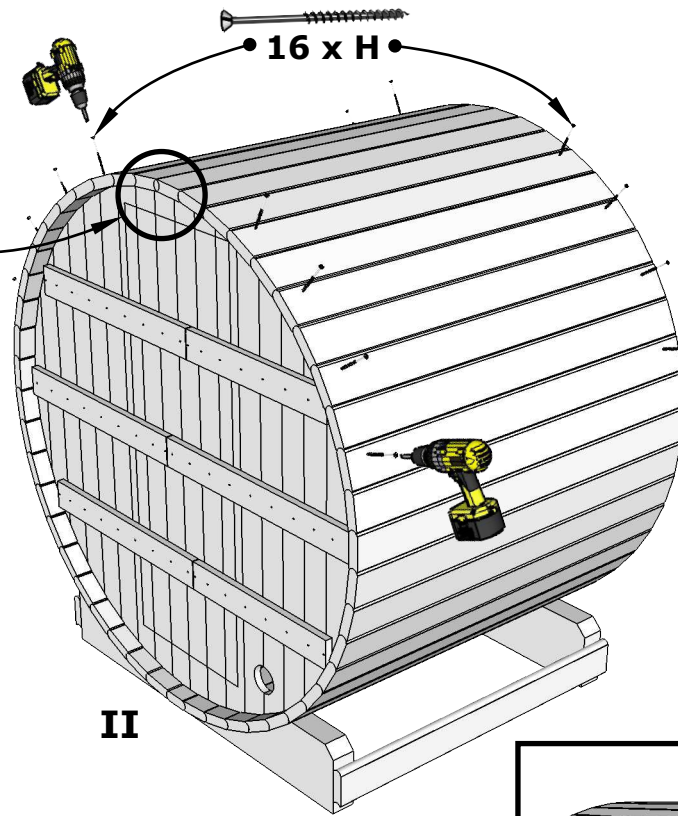
**Important!  
Keep distance!**

# Sauna 160, Ø200

Check page 6A

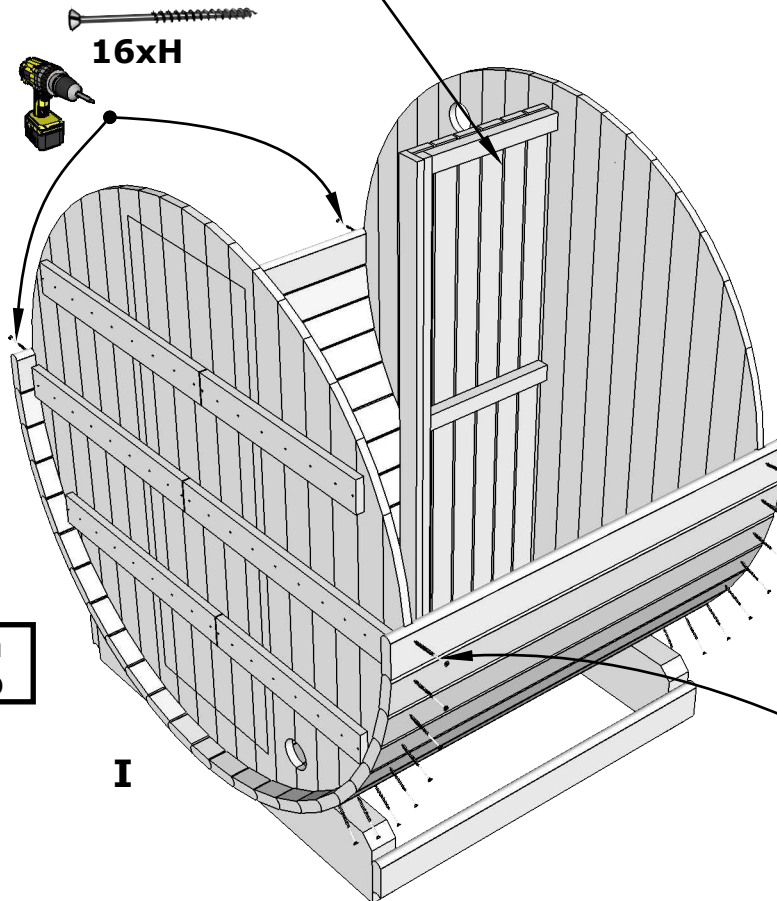
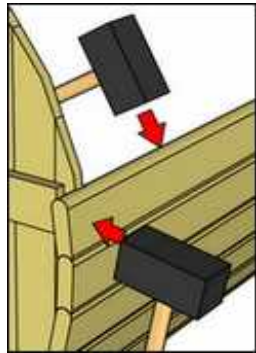


11x DET 3a  
10x DET 3b

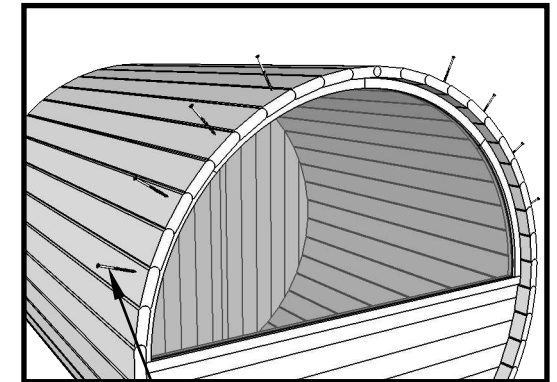


Half moon  
glass model.

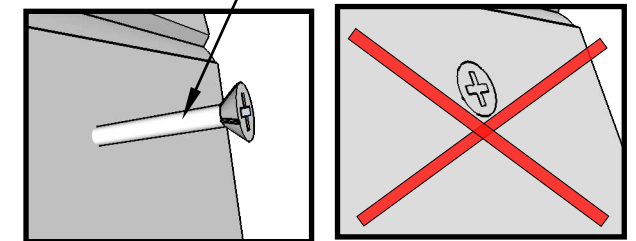
Place DET 8 in sauna  
before top boards.



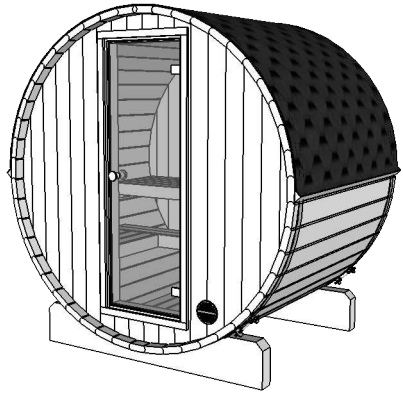
8x DET 3a  
8x DET 3b



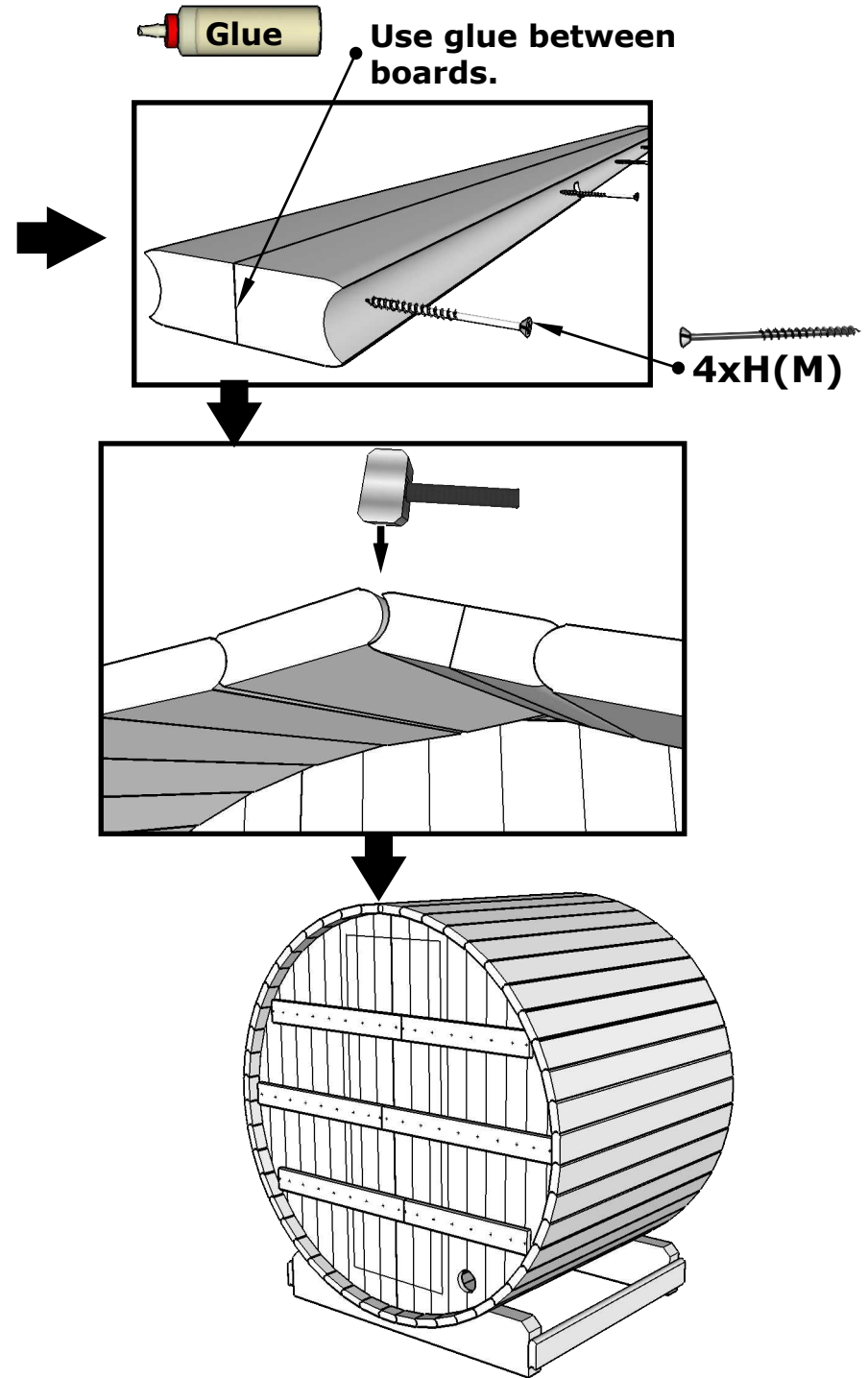
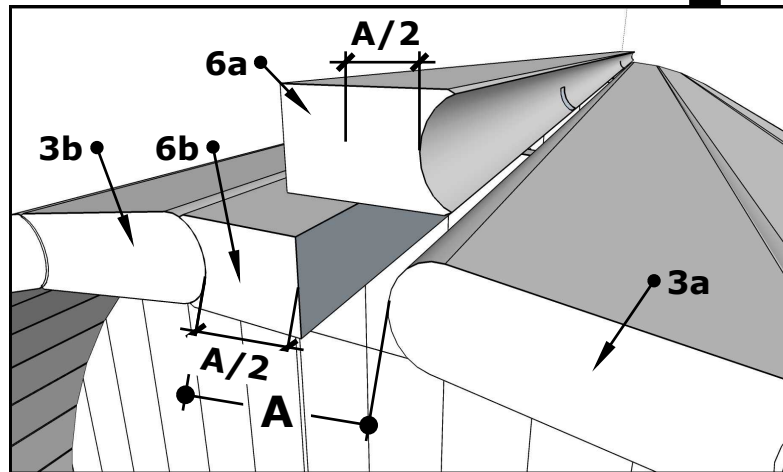
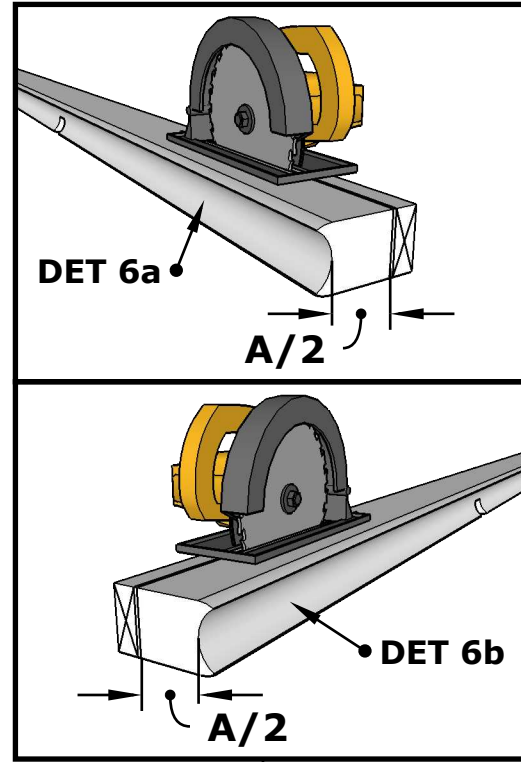
Do not screw it in  
all the way.



# Sauna 160, Ø200

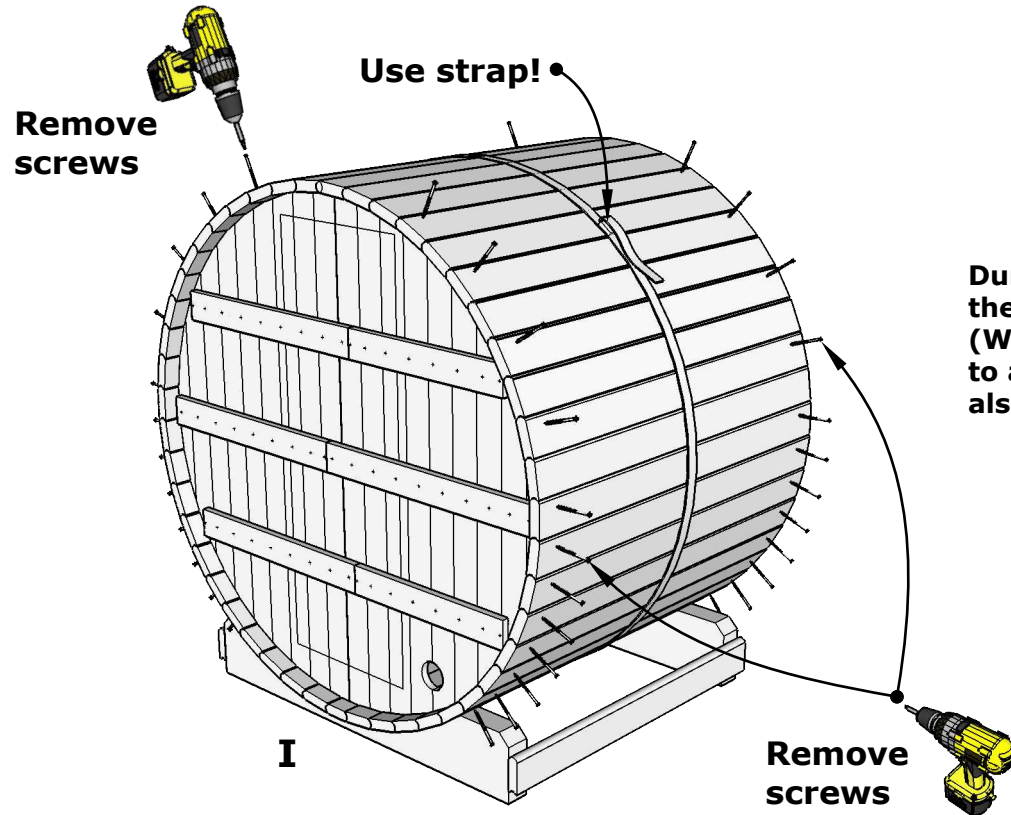
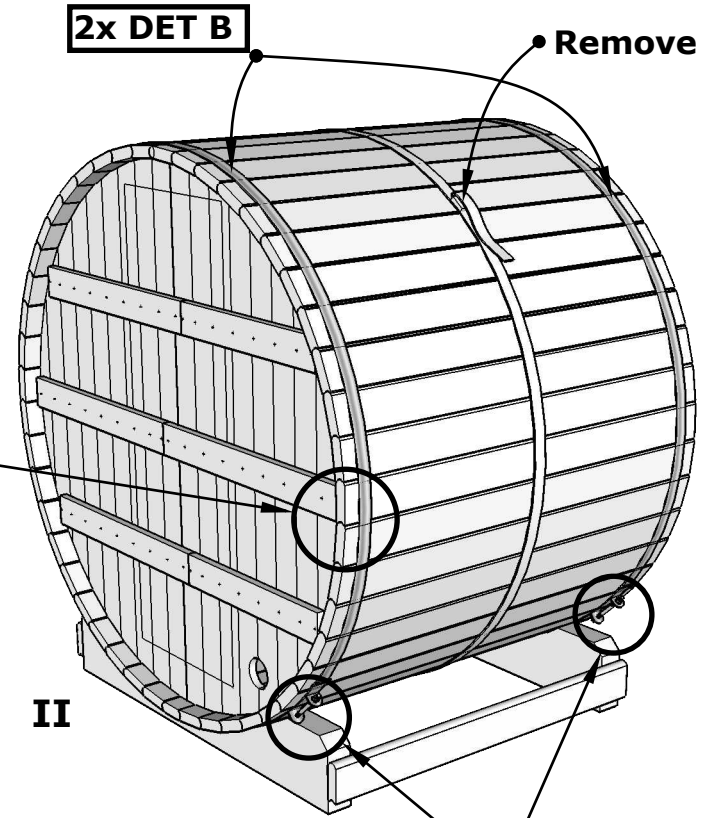
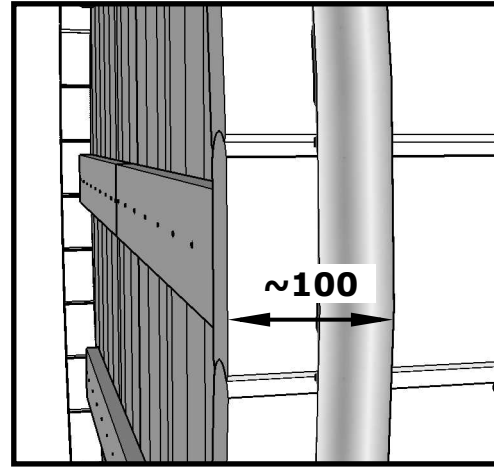
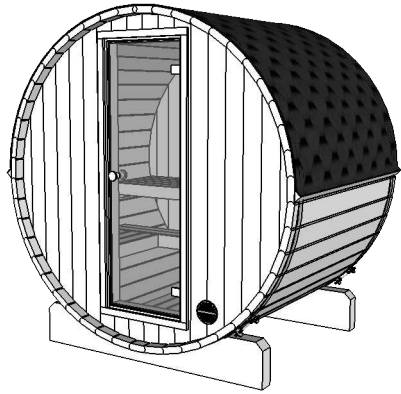


**Important !!!**

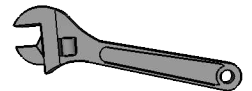
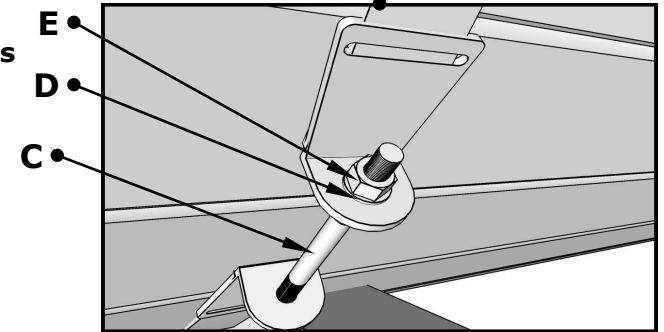


**6A.**

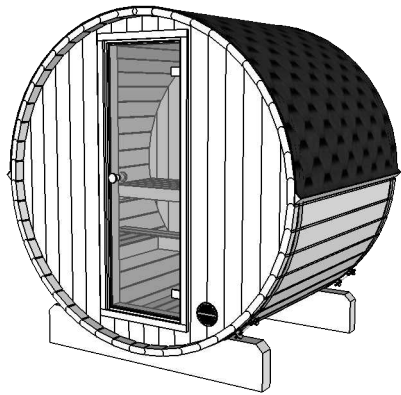
# Sauna 160, Ø200



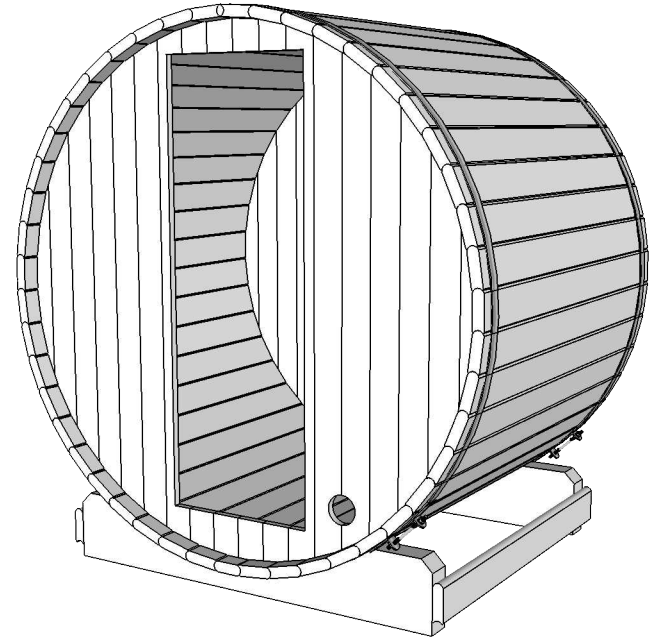
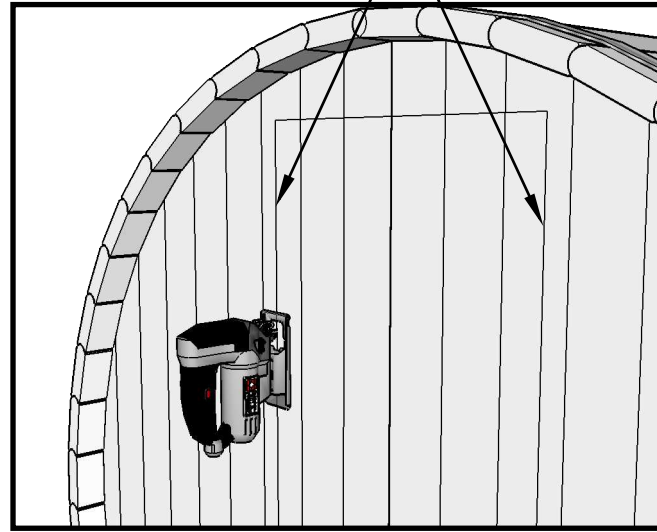
During assembly and retightening the threaded rods, use oil (Würth HPS 1400 or similar) to avoid "cold welding" and it is also easier tightening.



# Sauna 160, Ø200

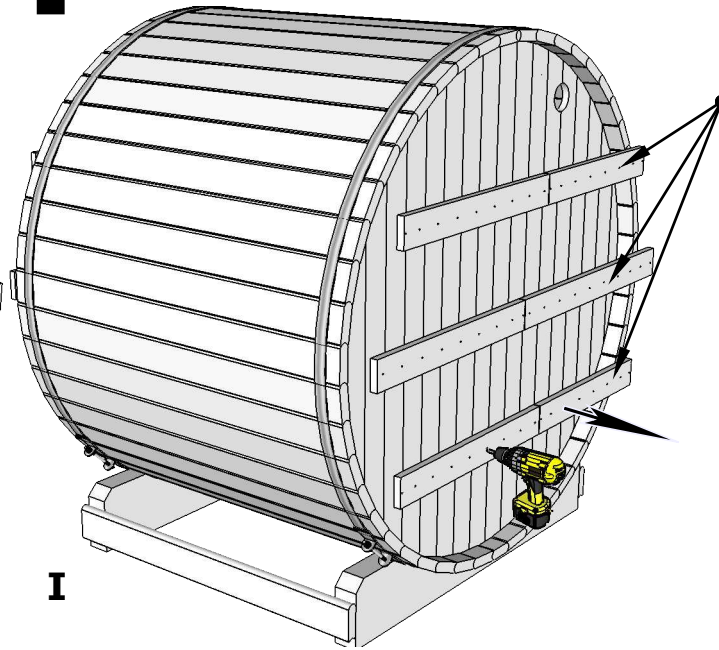
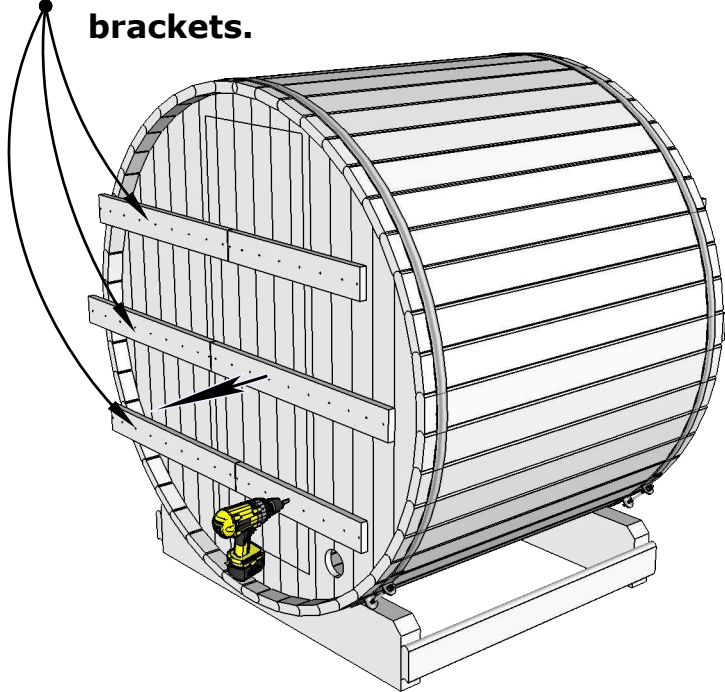


Cut out, follow the guidelines.



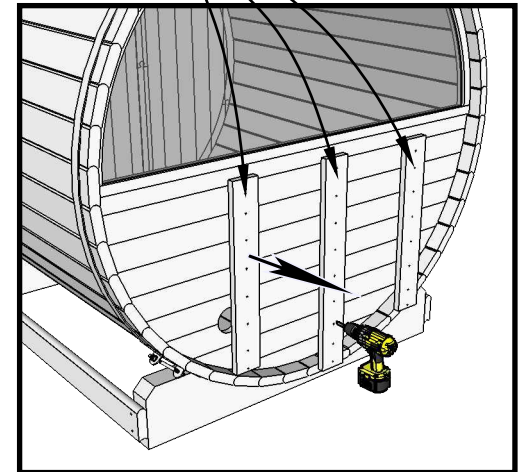
II

Remove all brackets.

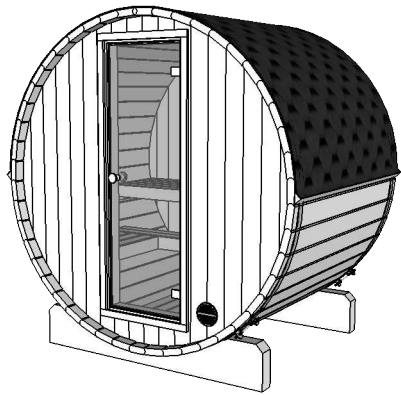


I

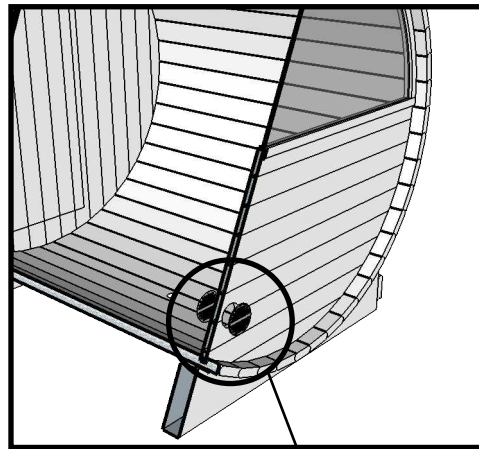
Remove all brackets.



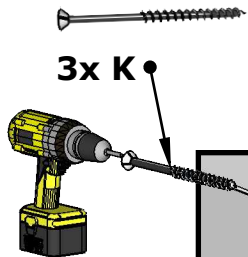
# Sauna 160, Ø200



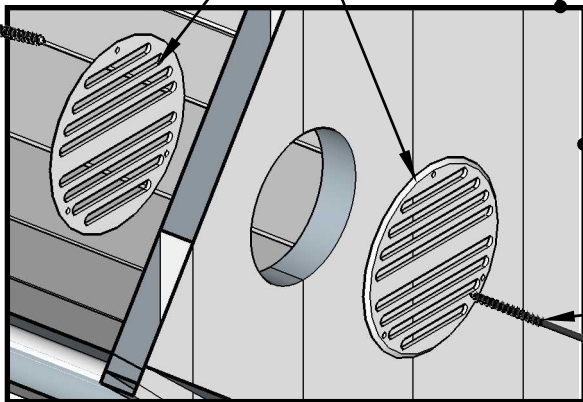
Half moon glass model



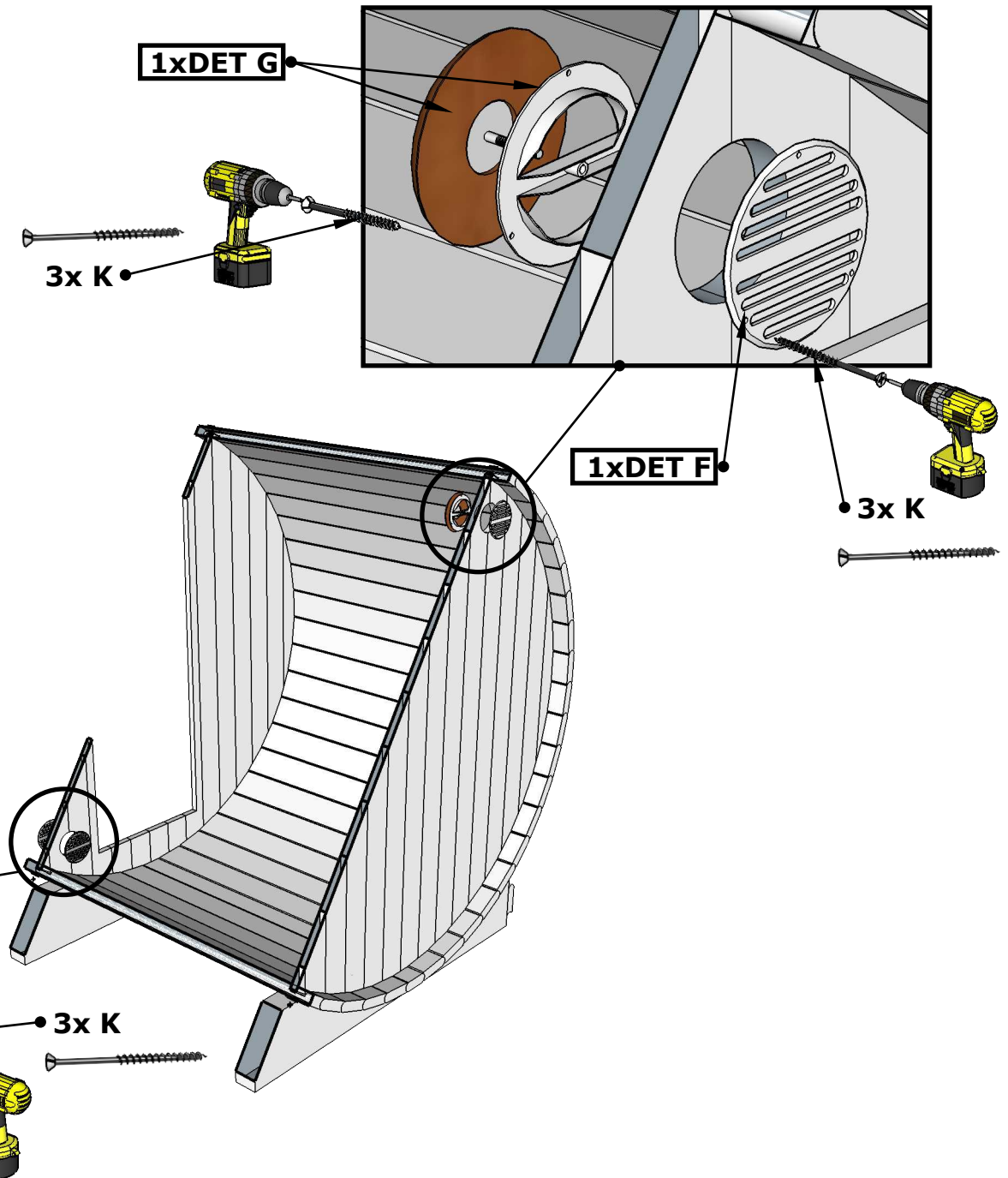
2xDET F



3x K



3x K



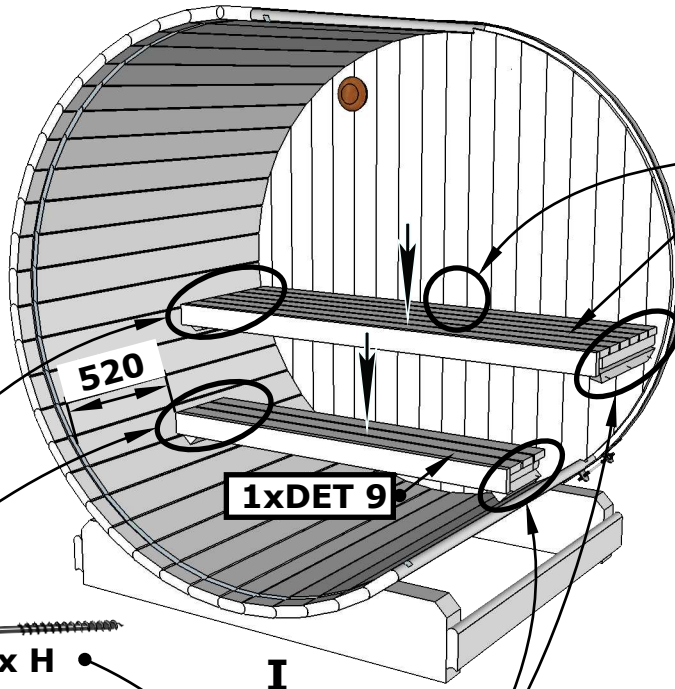
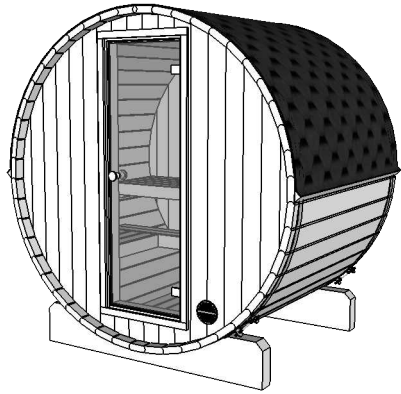
1xDET G

3x K

1xDET F

3x K

# Sauna 160, Ø200



2x H

1xDET 8

1xDET 9

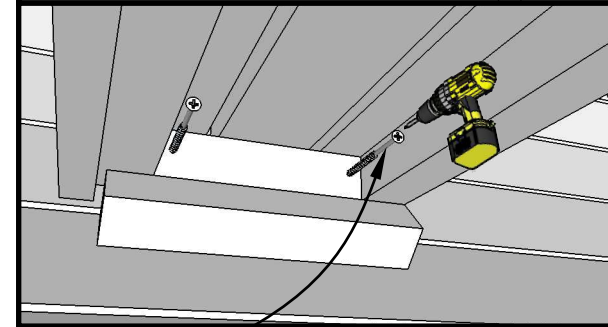
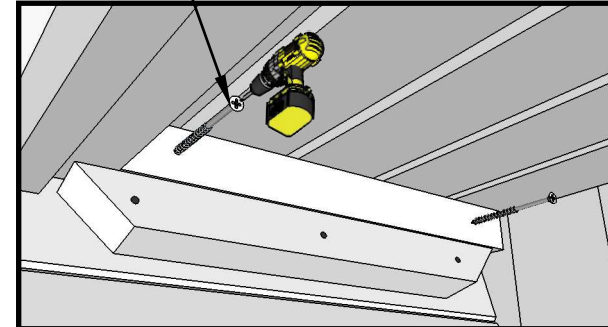
1xDET 11

Drill hole Ø4mm before screw

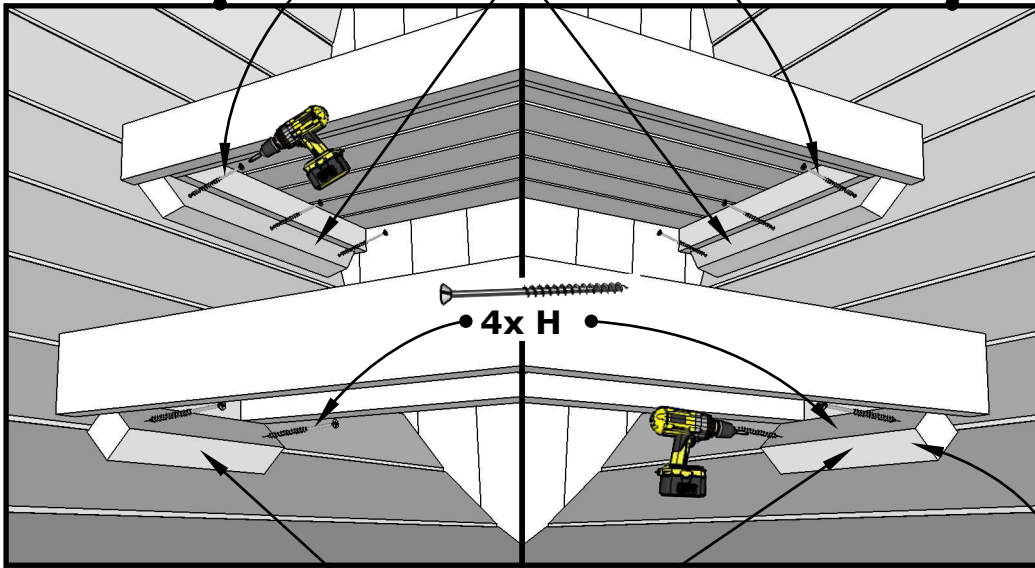
6x H

2xDET 10

4x M



4x M



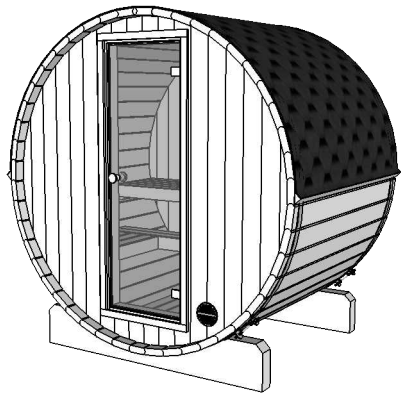
II

III

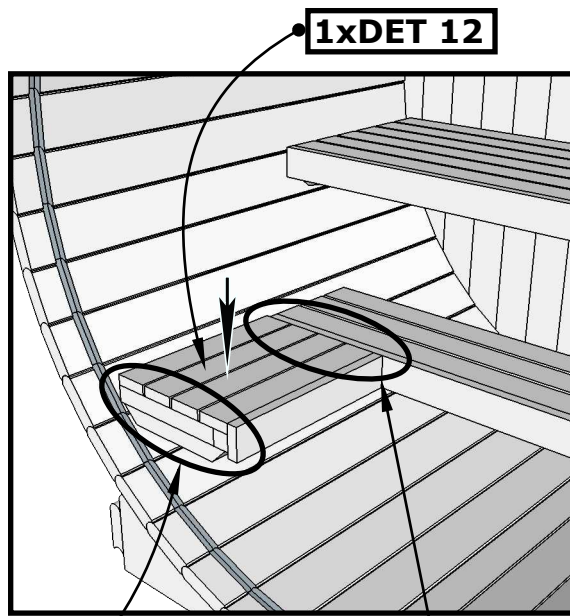
2xDET 12

Drill hole Ø4mm before screw

# Sauna 160, Ø200

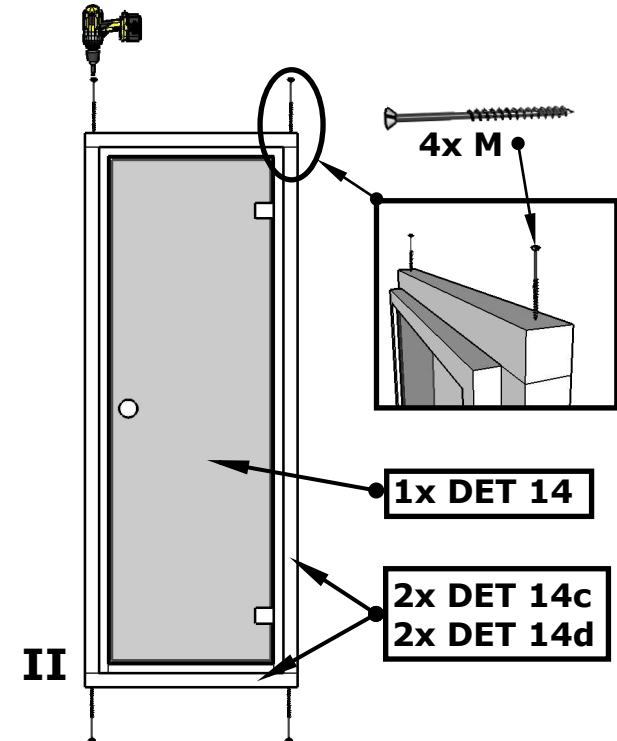
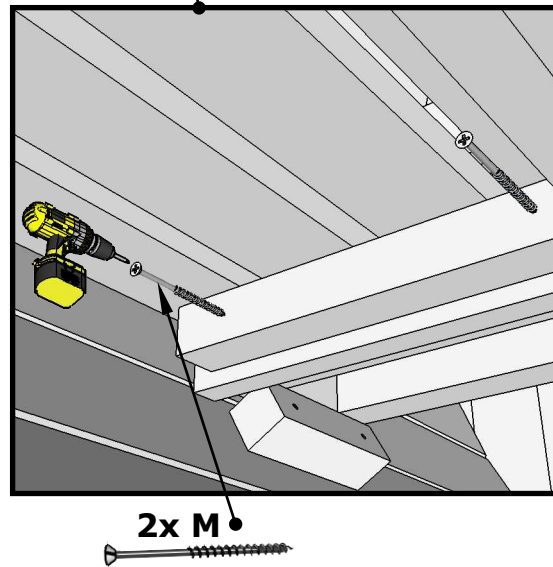
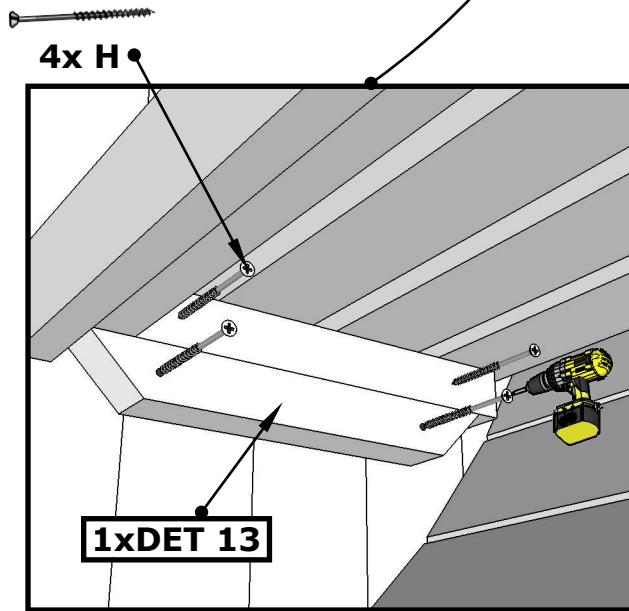
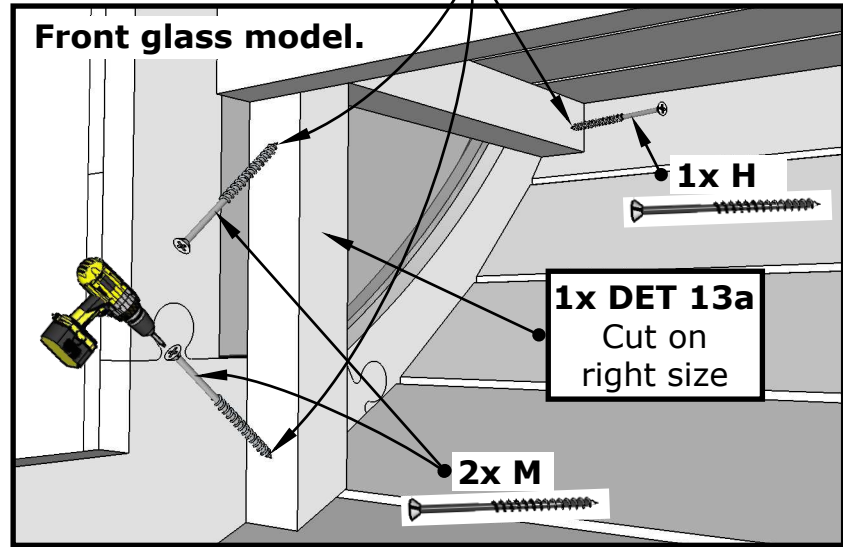


I



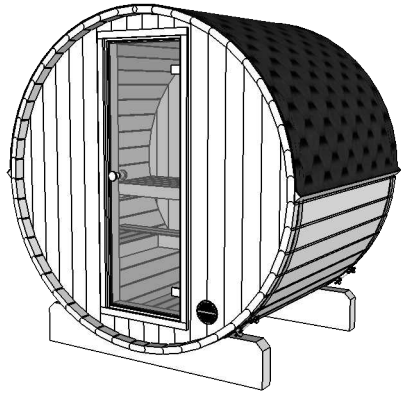
Drill hole Ø4mm  
before screw.

Be careful to not  
hit the glass.

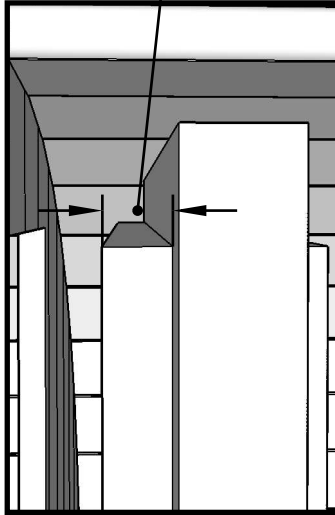




# Sauna 160, Ø200



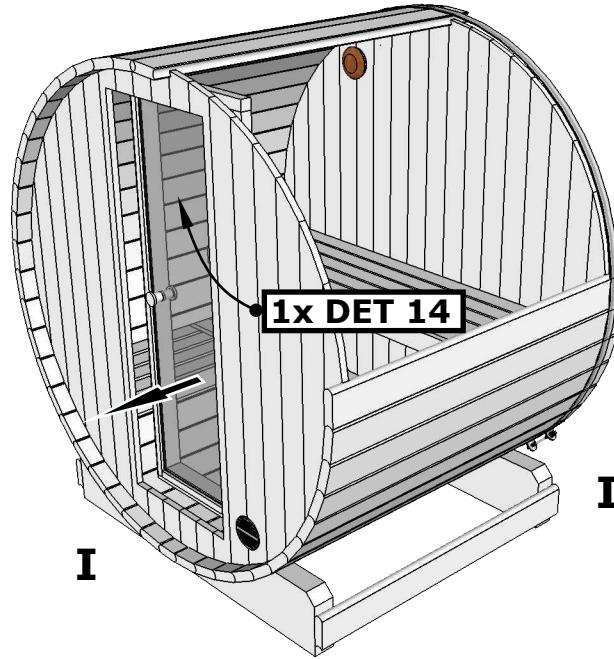
28mm.-Regular wall  
43mm.-Glass wall



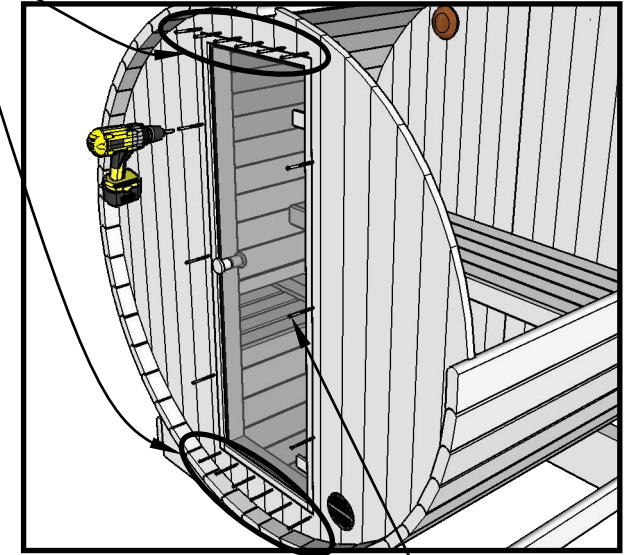
Use waterlevel for door installation.

NB! Install door from inside.

Horizontally fix screw in every board.

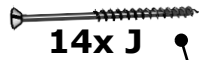


I

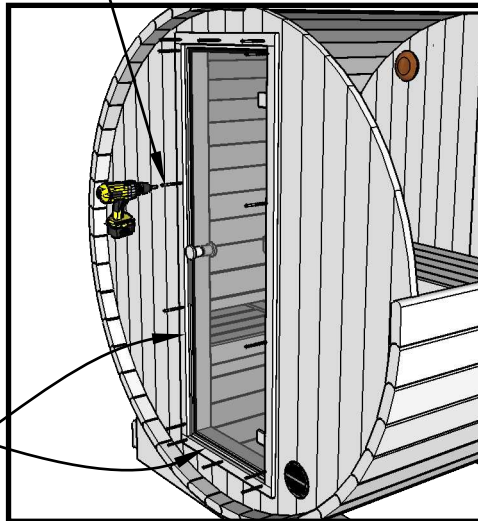


II

18x H



14x J

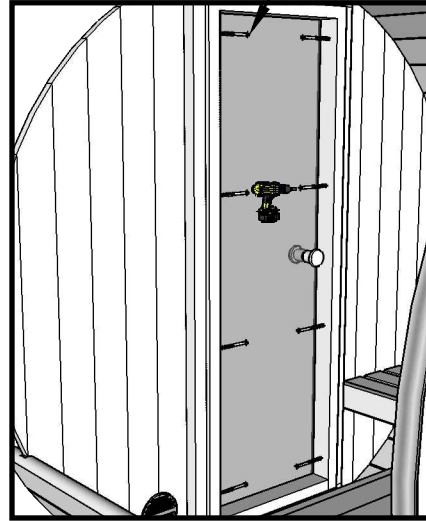


III

2x DET 14a  
2x DET 14b



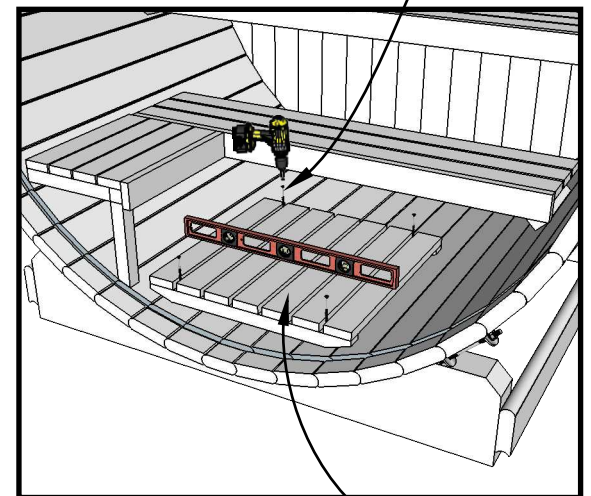
8x H



IV



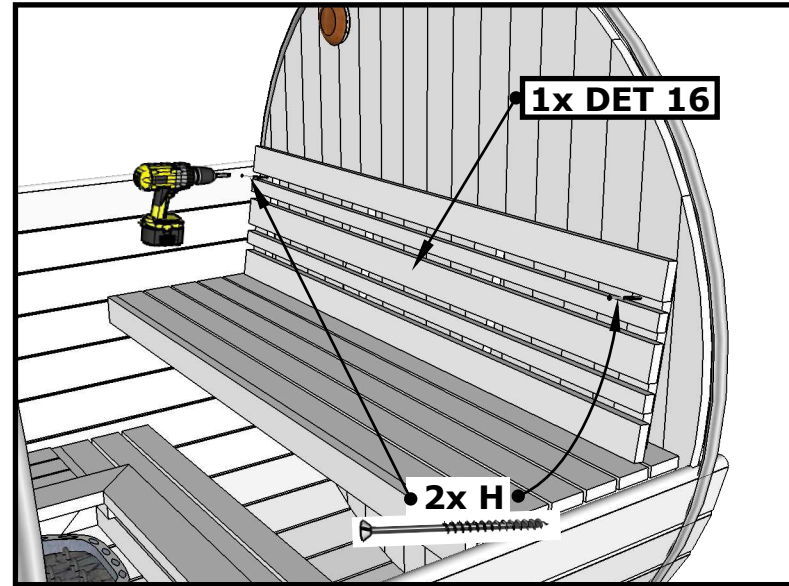
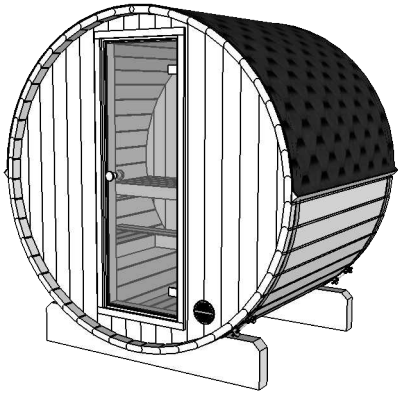
4x H



V

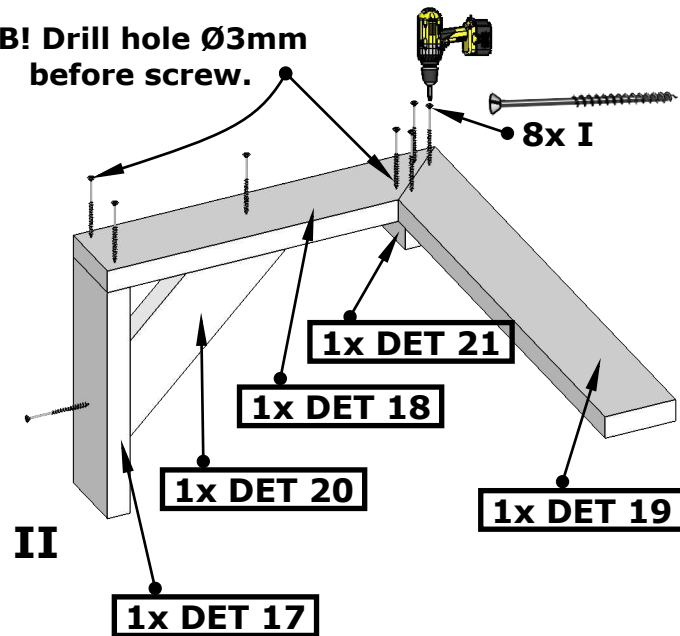
1x DET 15

# Sauna 160, Ø200



I

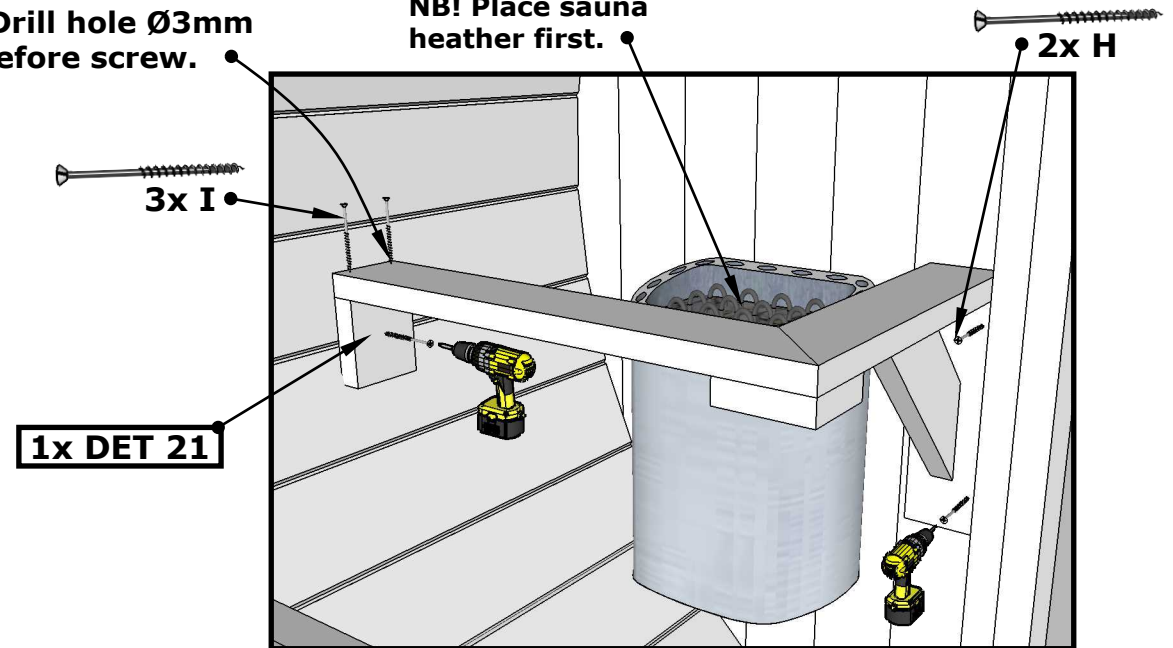
NB! Drill hole Ø3mm before screw.



II

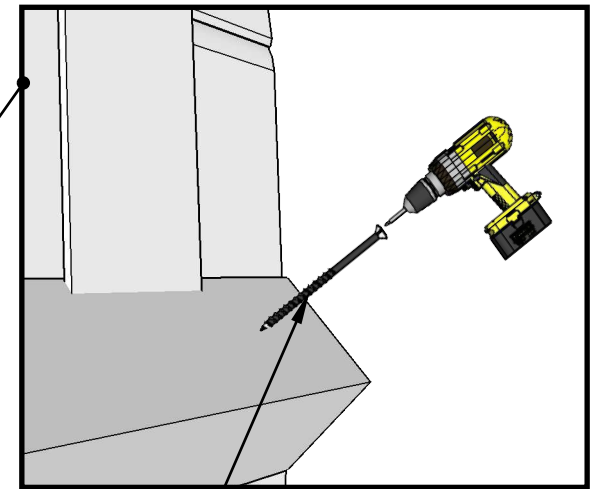
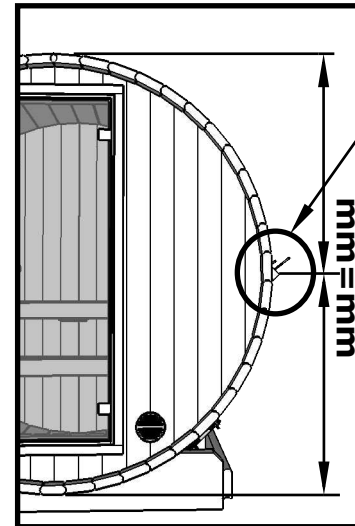
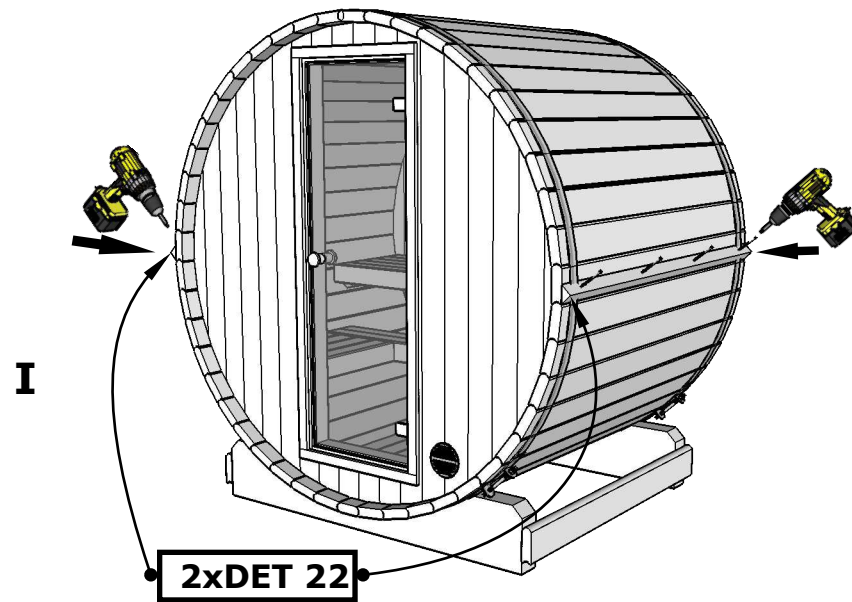
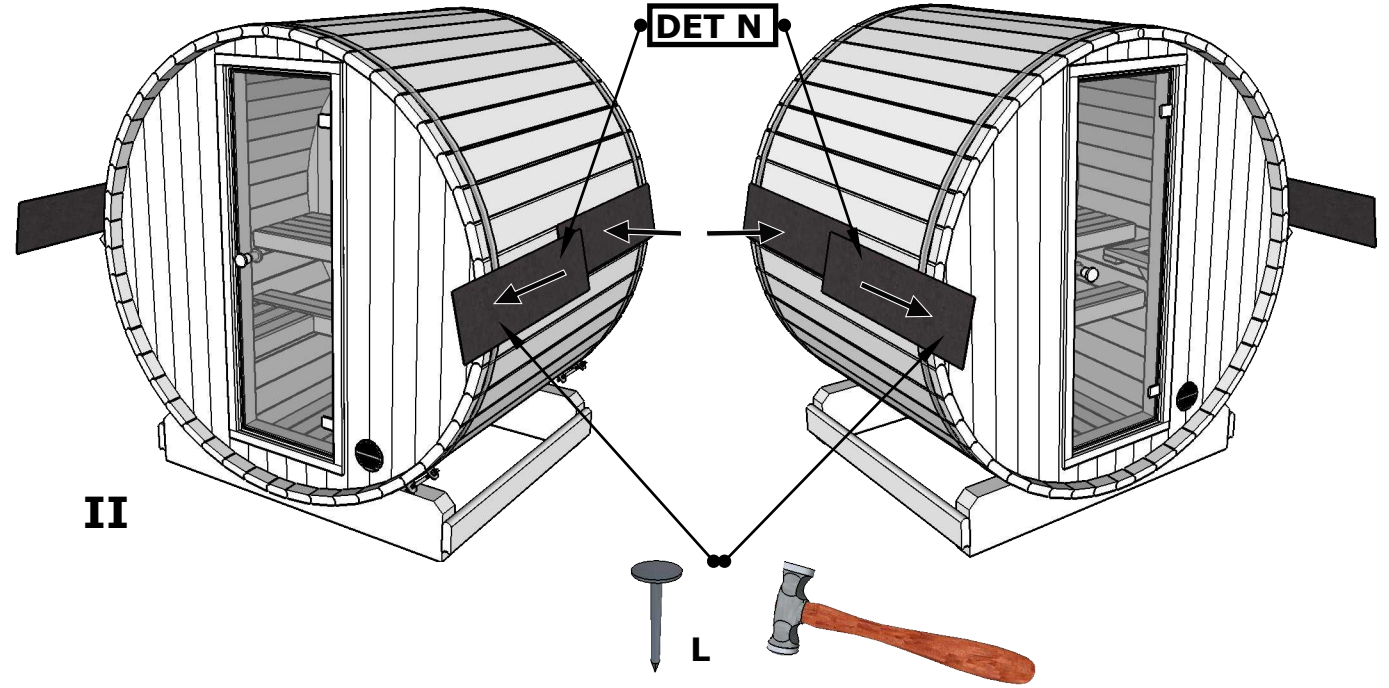
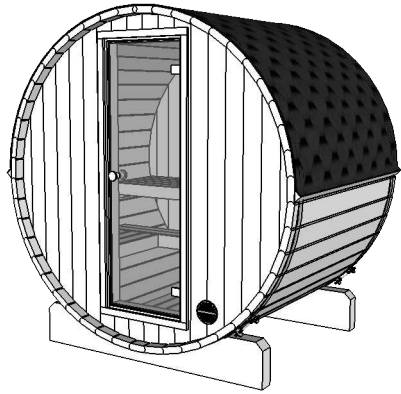
NB! Drill hole Ø3mm before screw.

NB! Place sauna heater first.

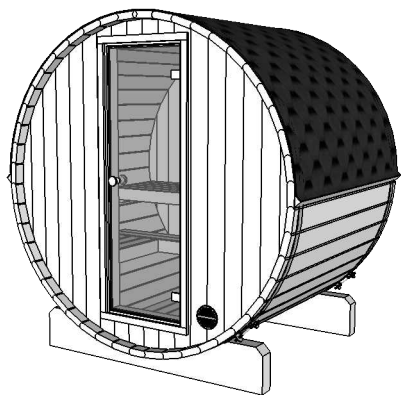


Check extra pages how to install heater on Front glass wall.

# Sauna 160, Ø200

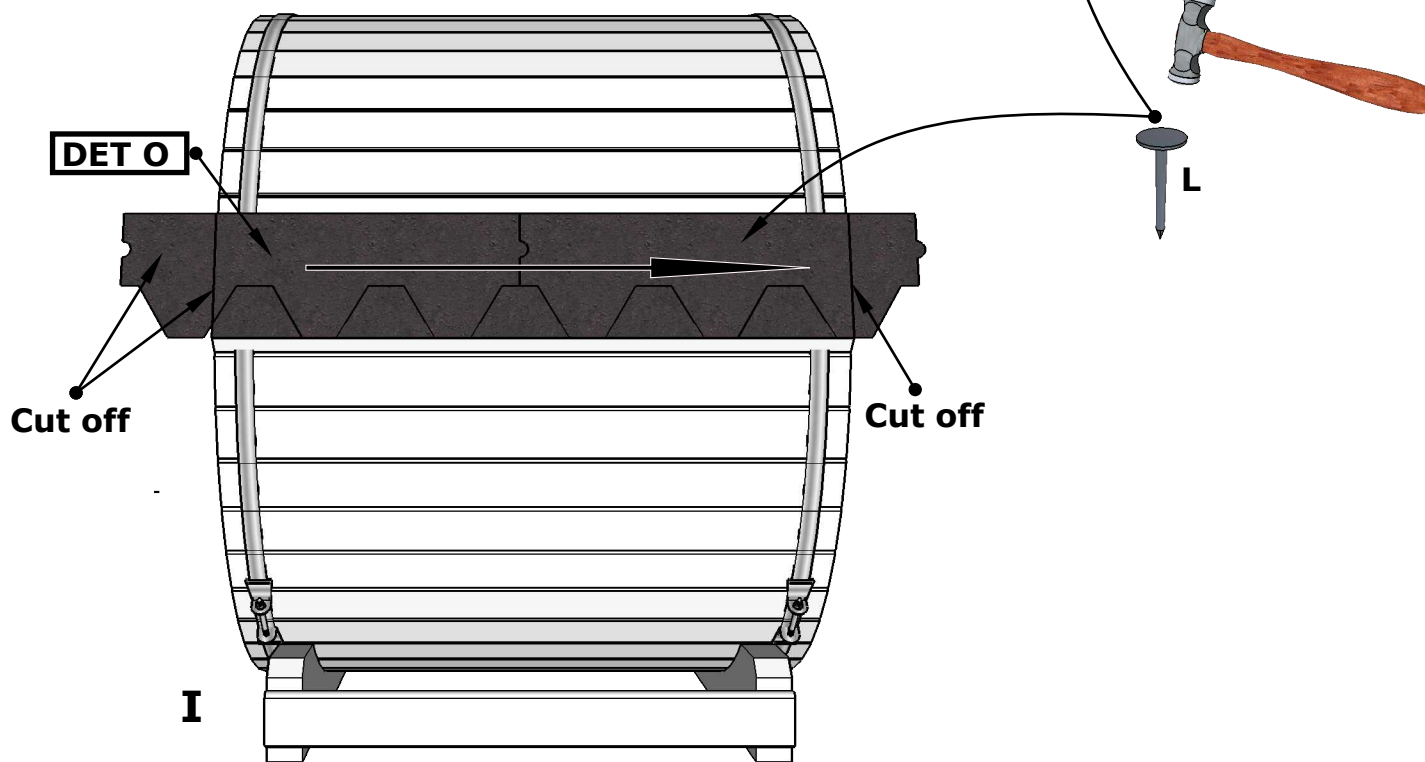
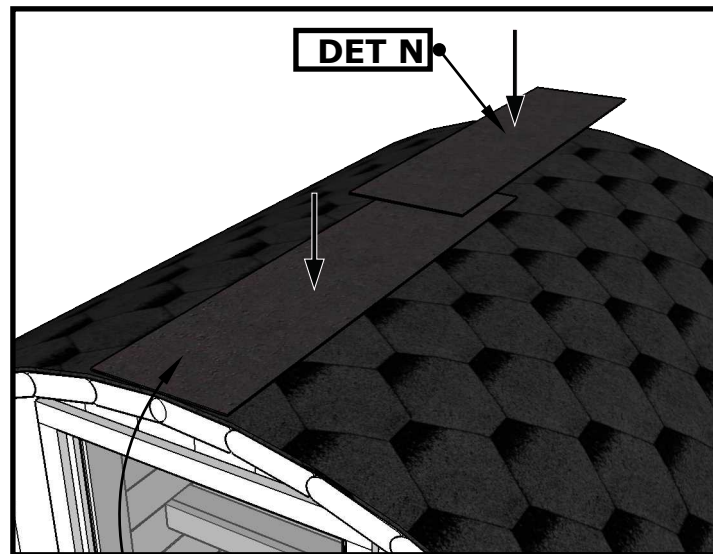


# Sauna 160, Ø200

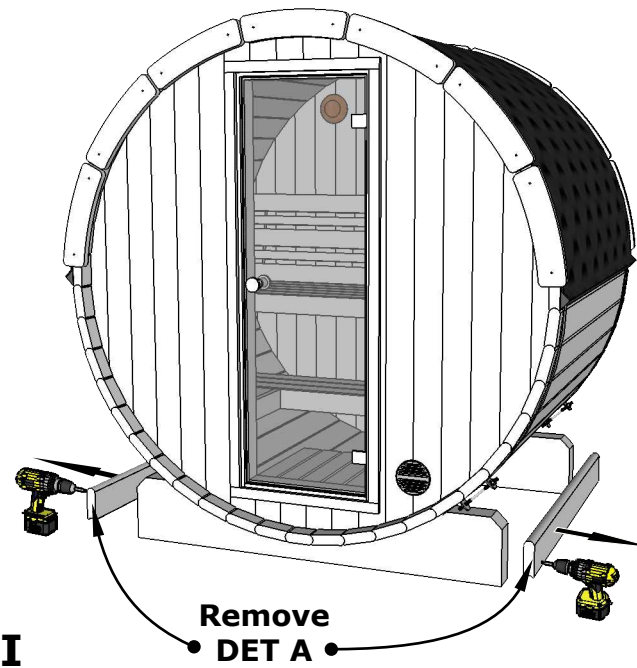
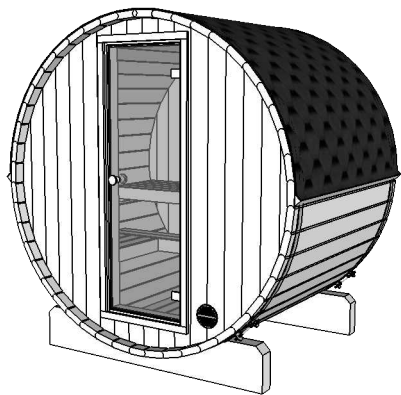


**NB! Check also shingles installation manual inside shingles packages.**

**II**



# Sauna 160, Ø200

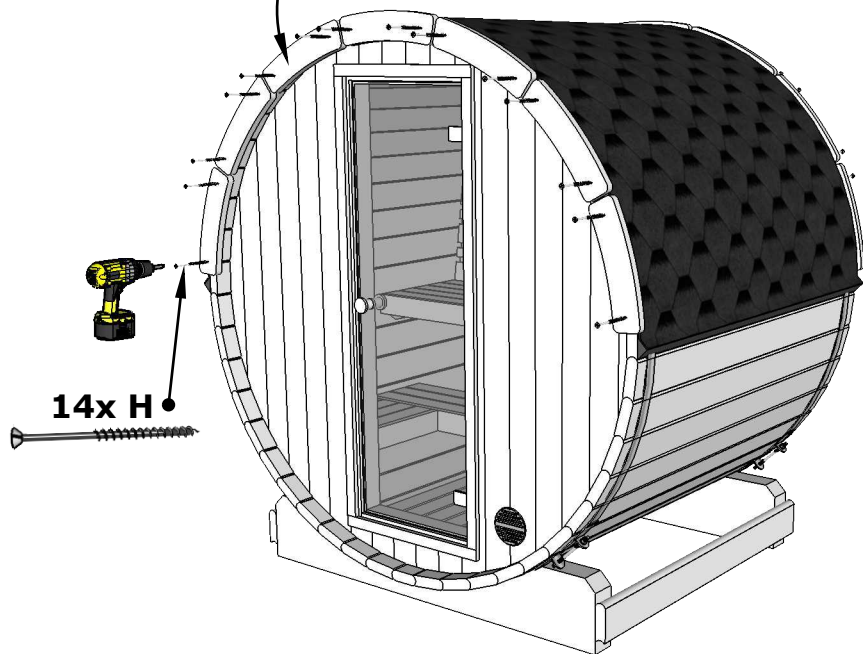


**II**

Remove  
DET A

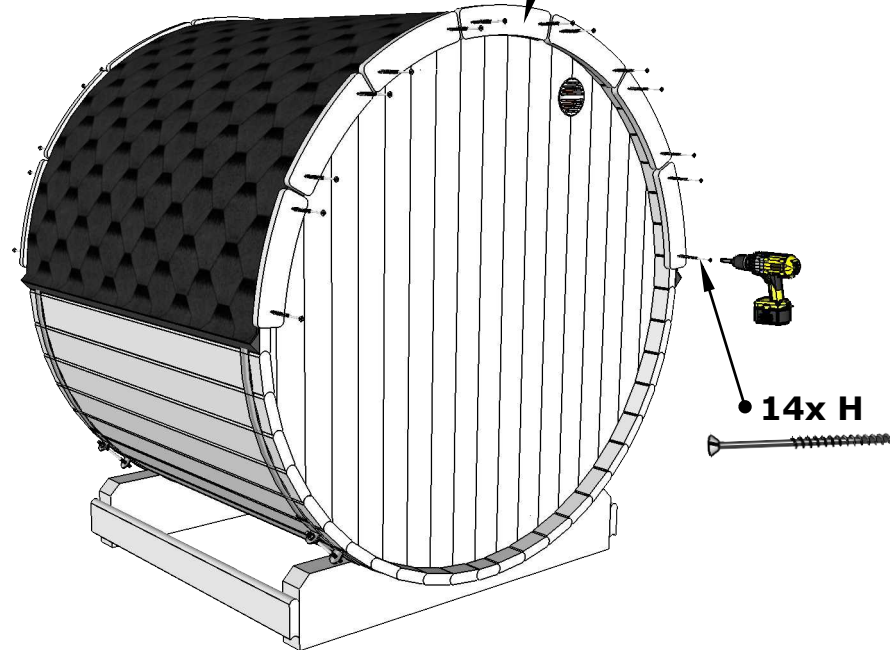
**7x DET 23**

**7x DET 23**



**14x H**

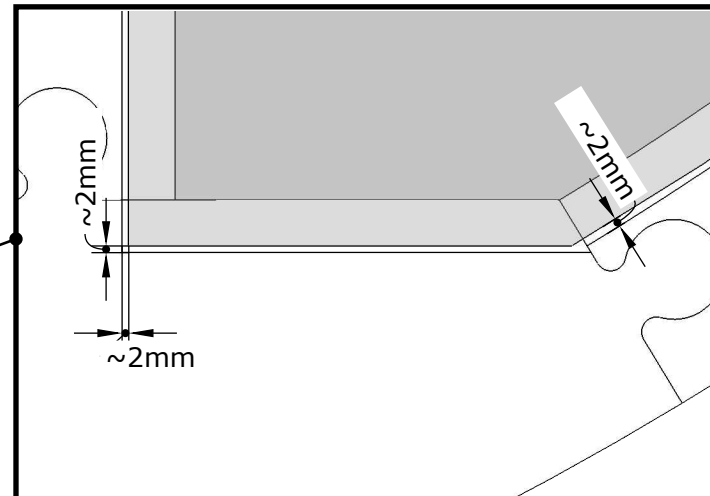
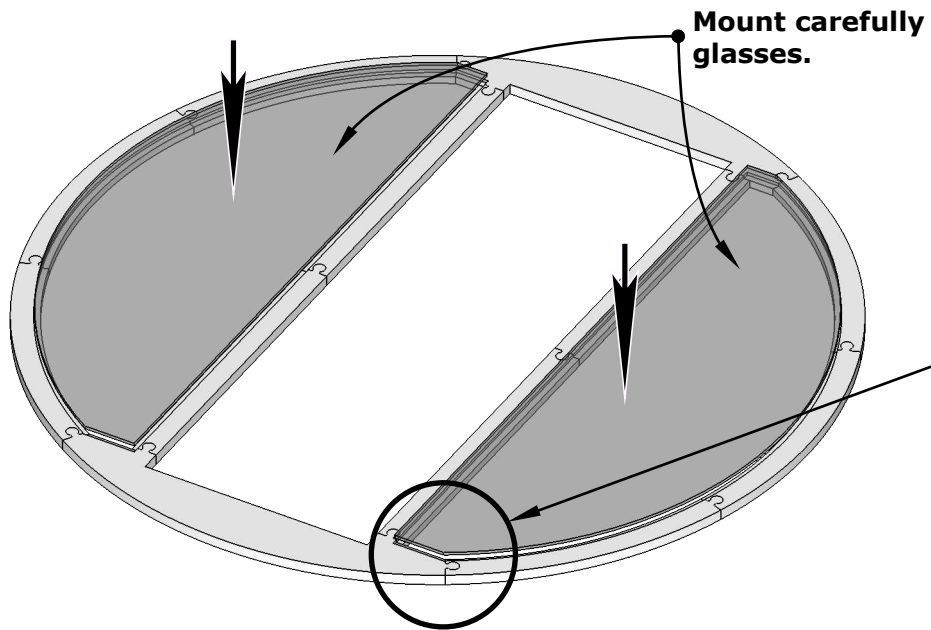
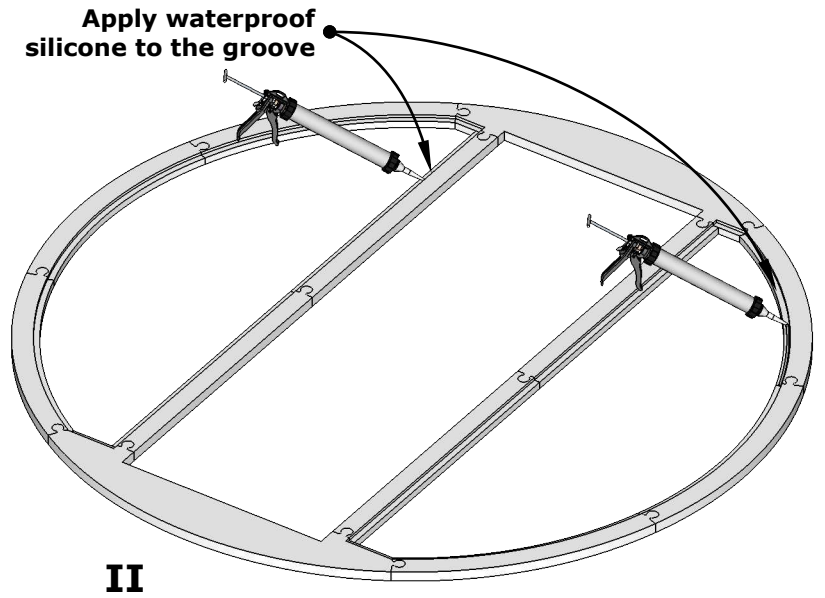
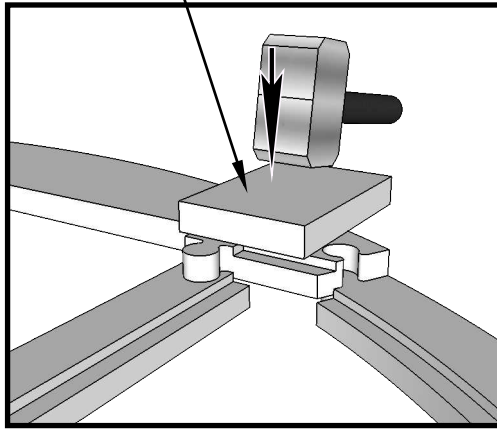
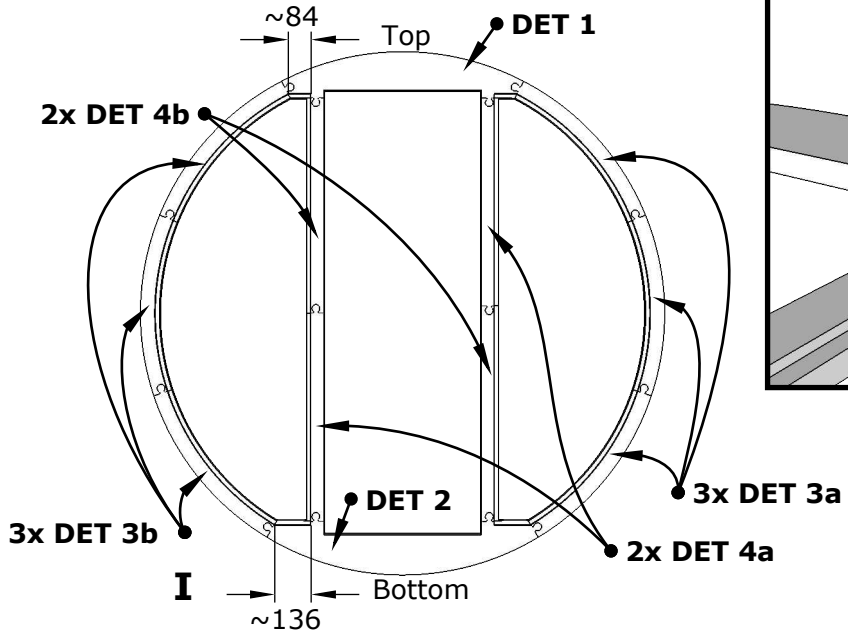
**I**



**14x H**

# Glass Wall mounting (base frame 28 mm.)

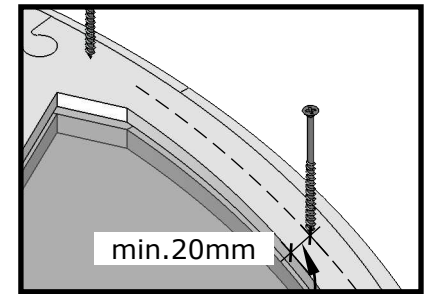
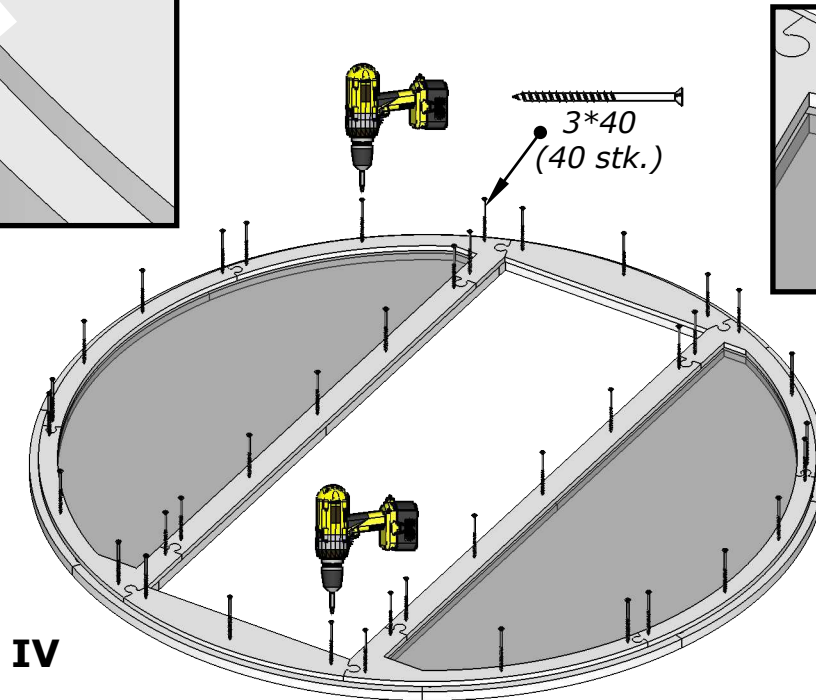
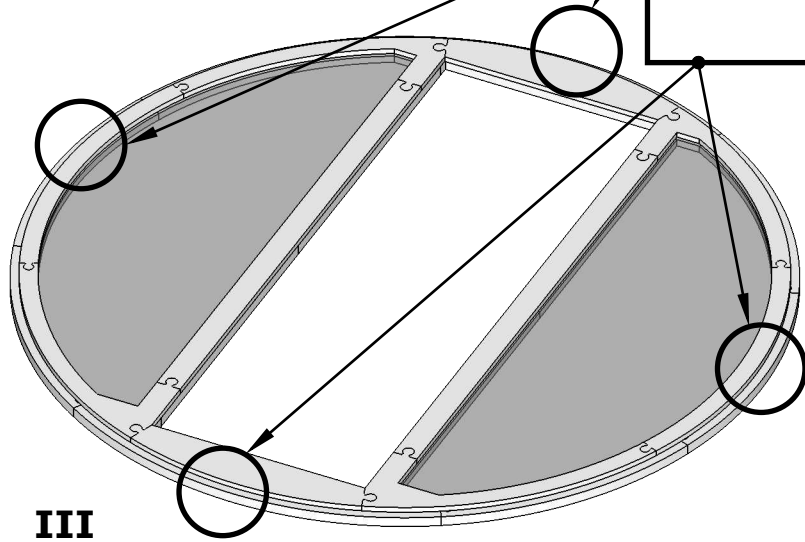
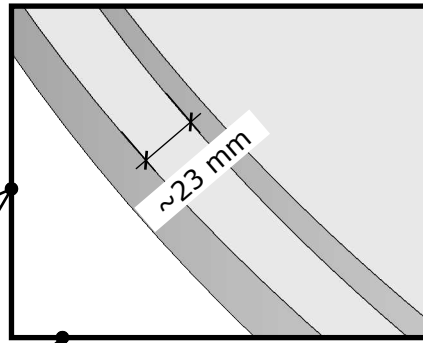
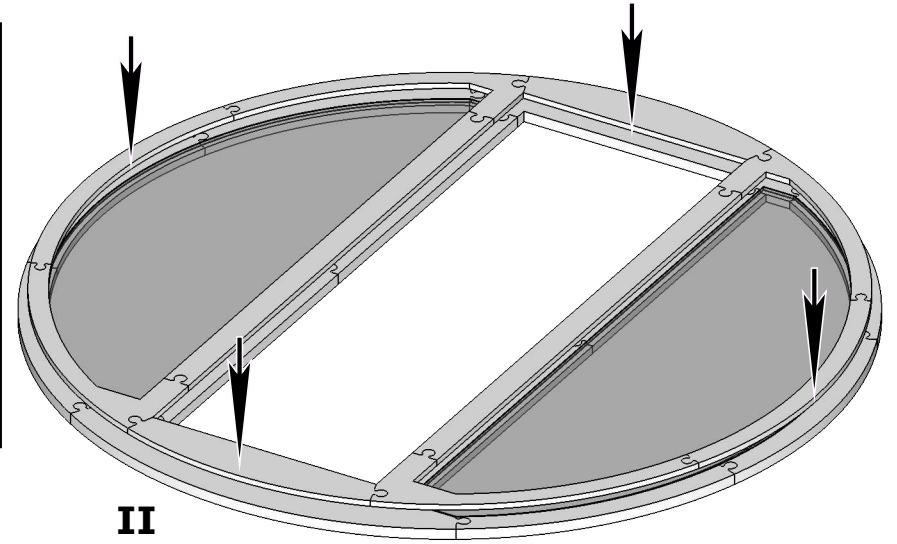
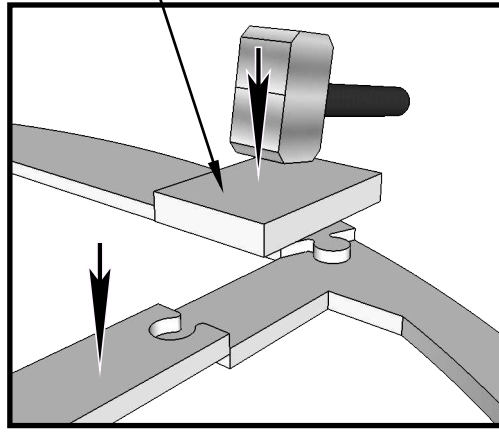
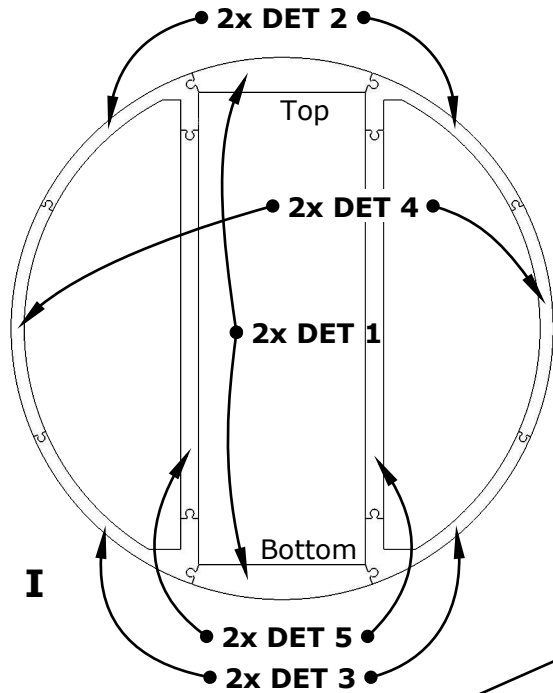
Use piece of wood to protect plywood



III

# Glass Wall mounting (cover frame 15 mm.)

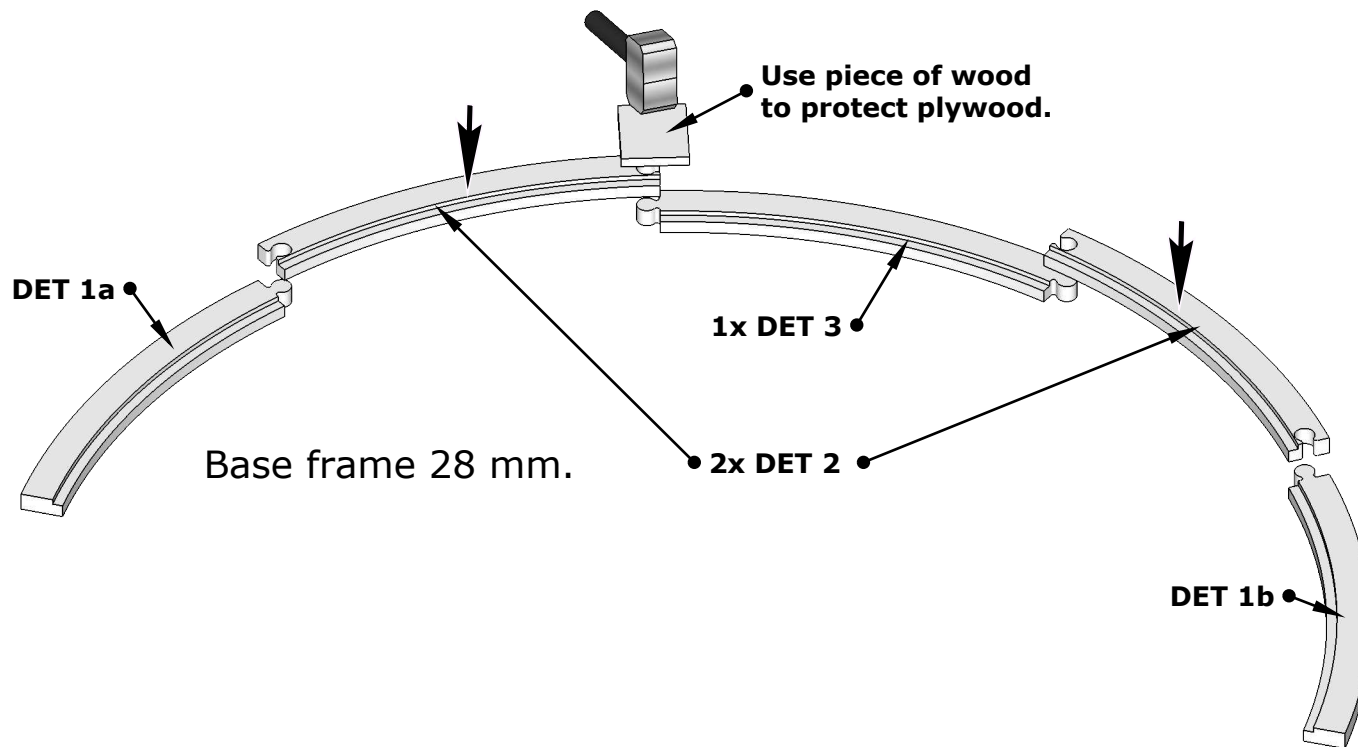
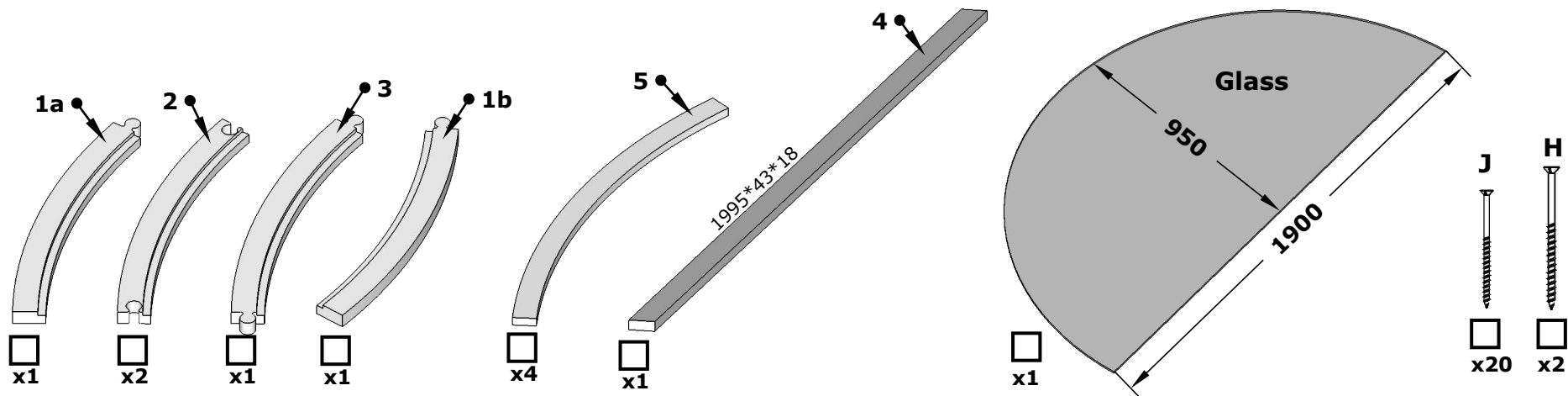
Use piece of wood to  
protect plywood



**Please be careful!!!  
Do not hit the glass  
with the screw.**

# Half-moon glass wall mounting

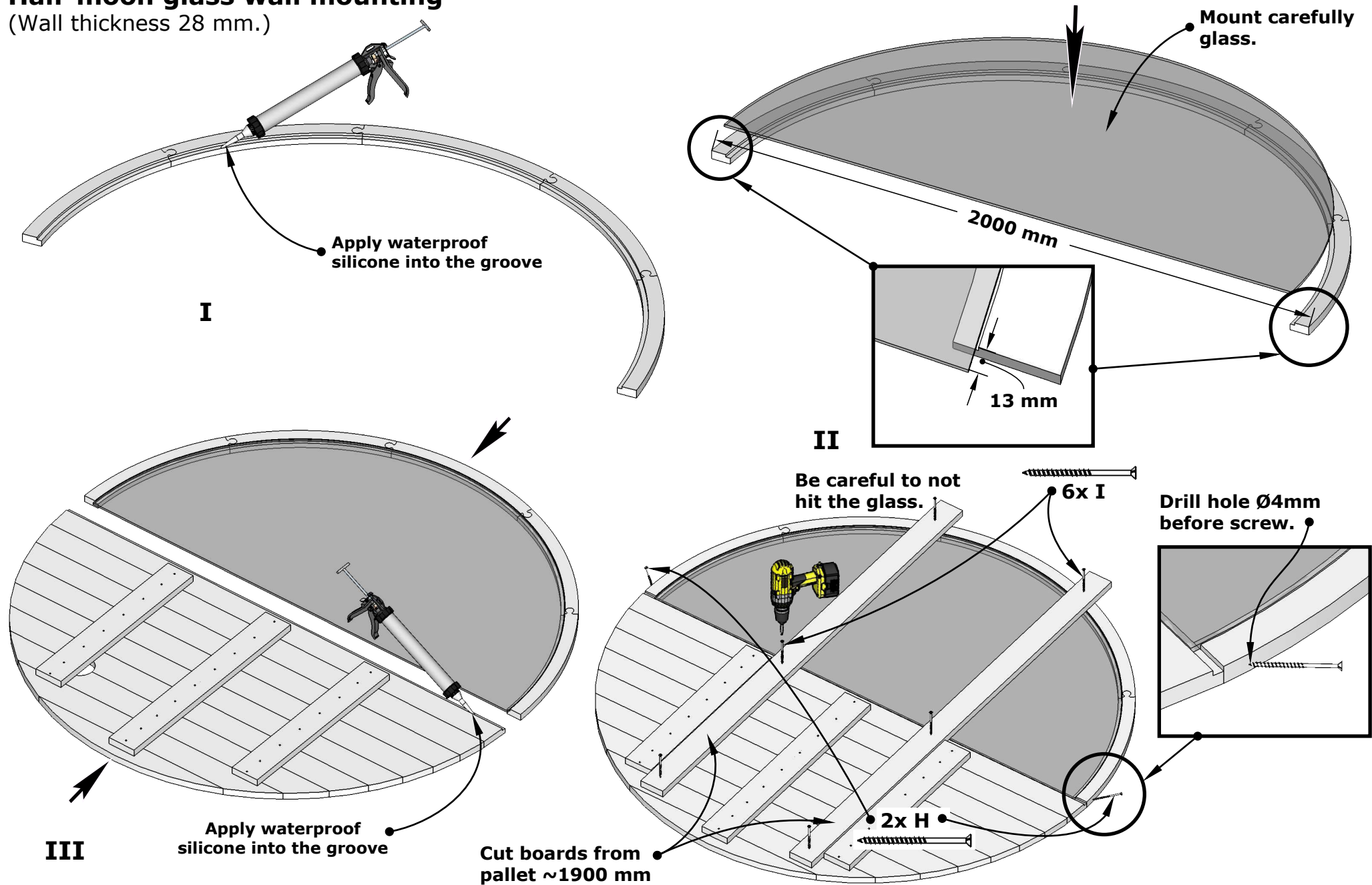
(Wall thickness 28 mm.)





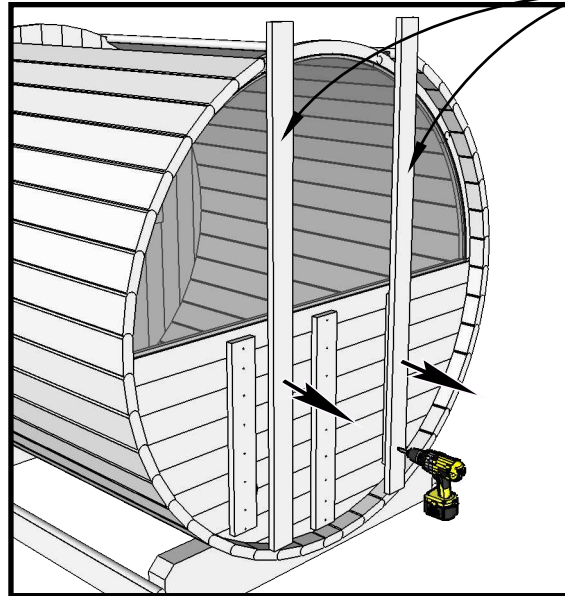
## Half-moon glass wall mounting

(Wall thickness 28 mm.)



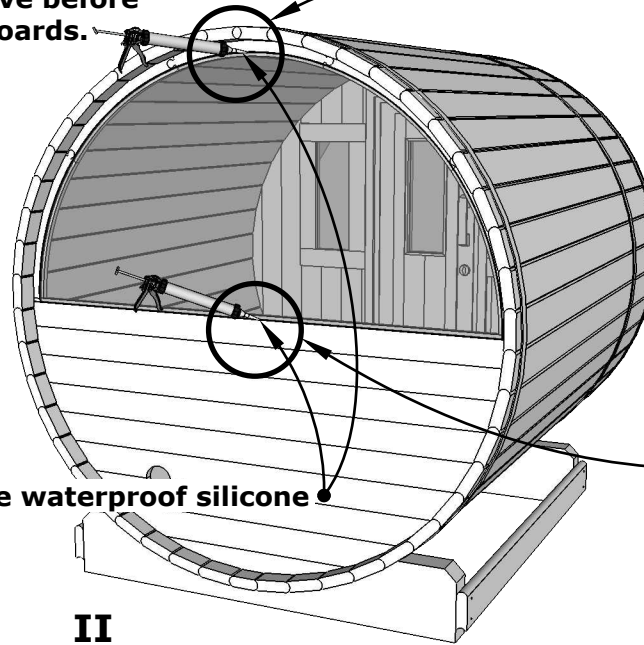
# Half-moon glass wall mounting

(Wall thickness 28 mm.)

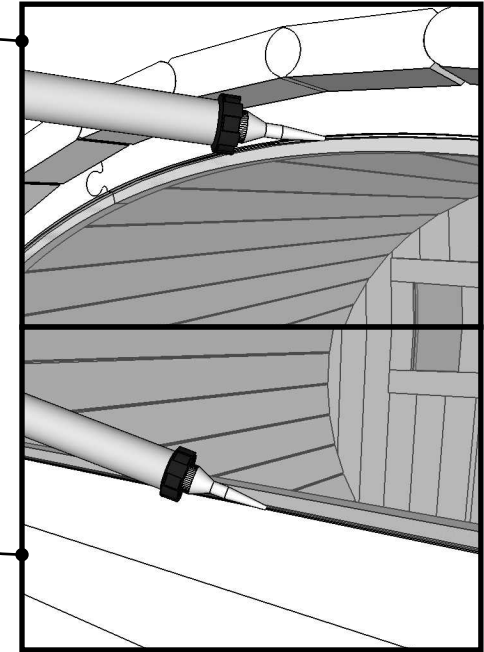


**I** Please check main installation manual before proceed this step.

Remove before last boards.



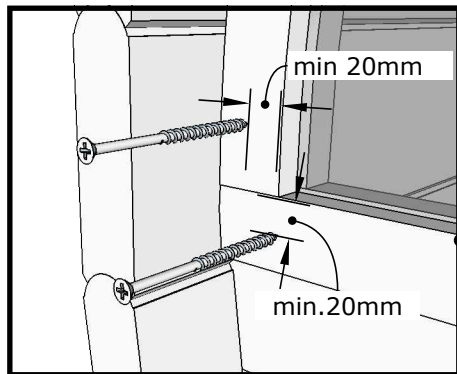
**II**



Cut last detail on right size.

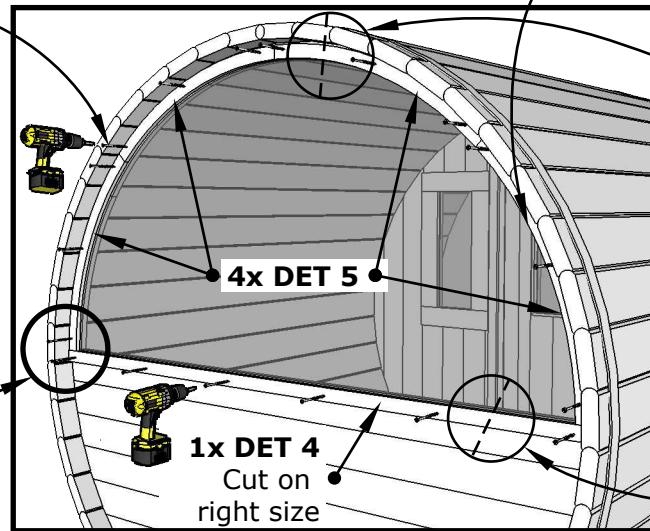
Remove any excess silicone with wet cloth.

Be careful! Do not hit the glass!

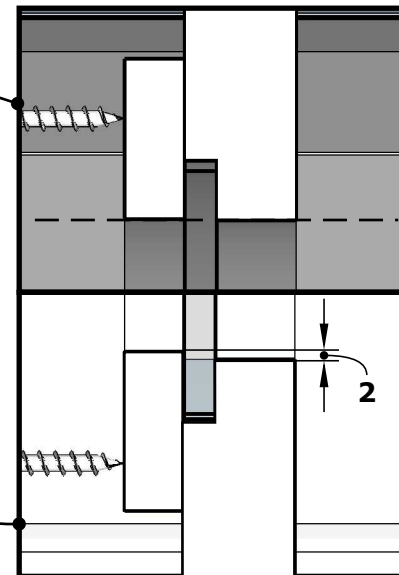


**3.**

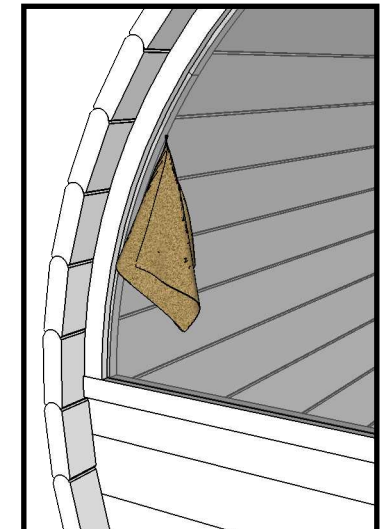
18x J



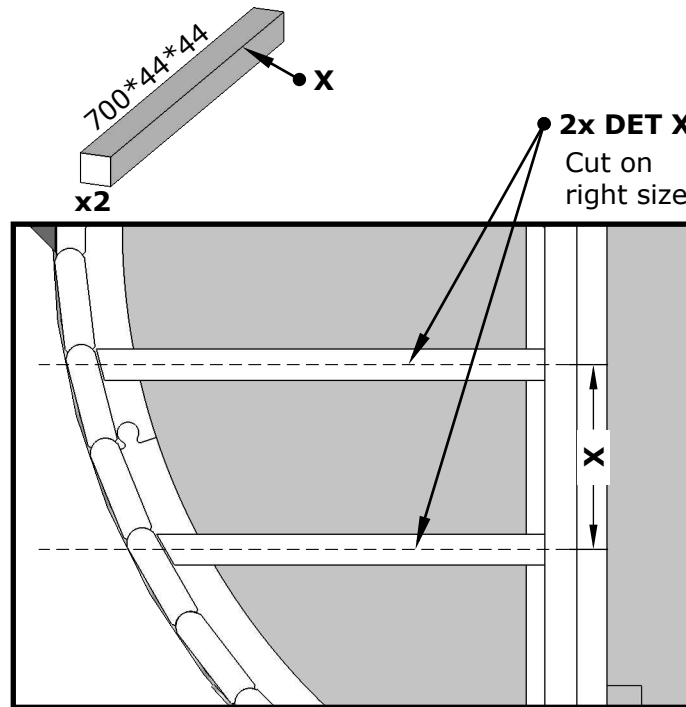
**III**



**IV**

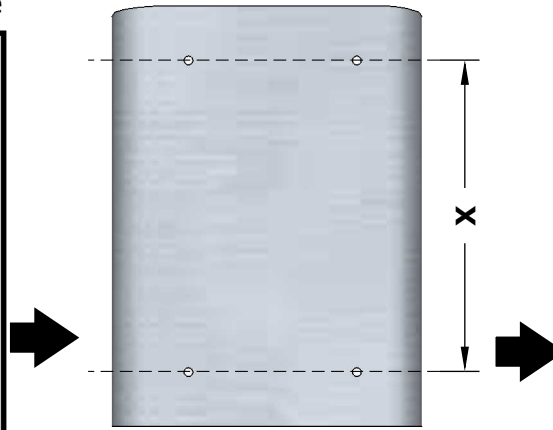


# El.heater installation

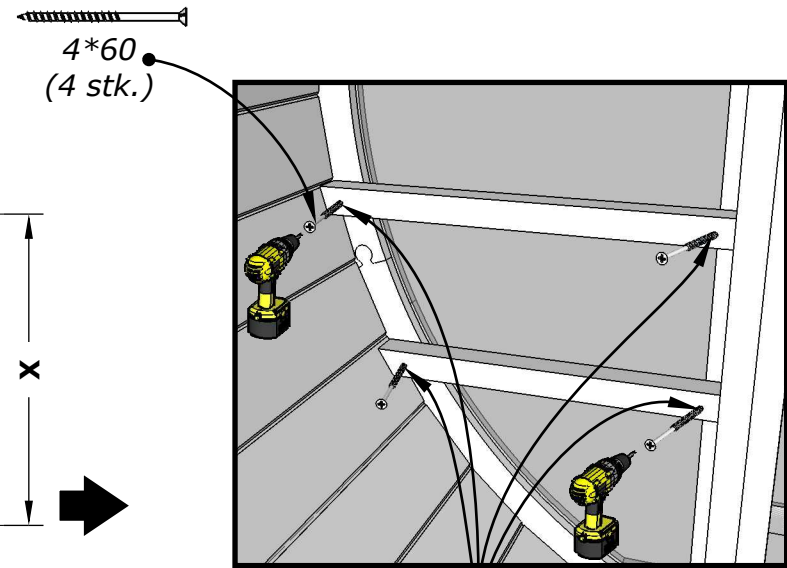


**I**

**NB! Check Your el.heater user manual to install heater!**

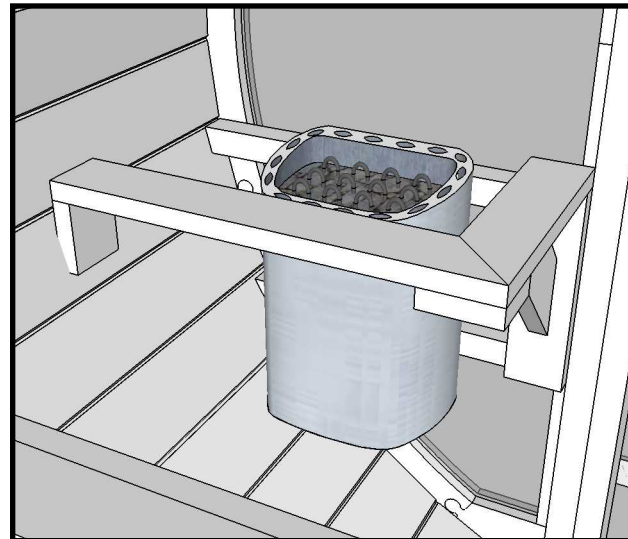


**NB! Check Your el.heater user manual to find correct measurements!**



**II**

**NB! Be careful, do not hit the glass!**



**III**

**Proceed with main installation manual!**