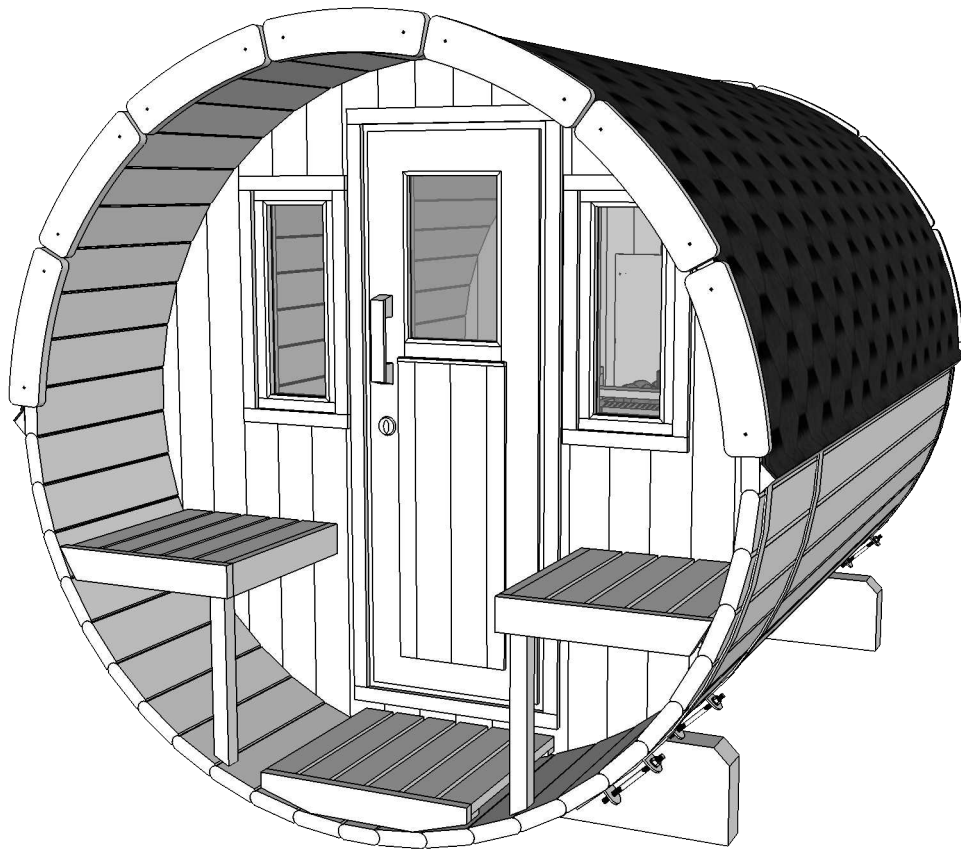


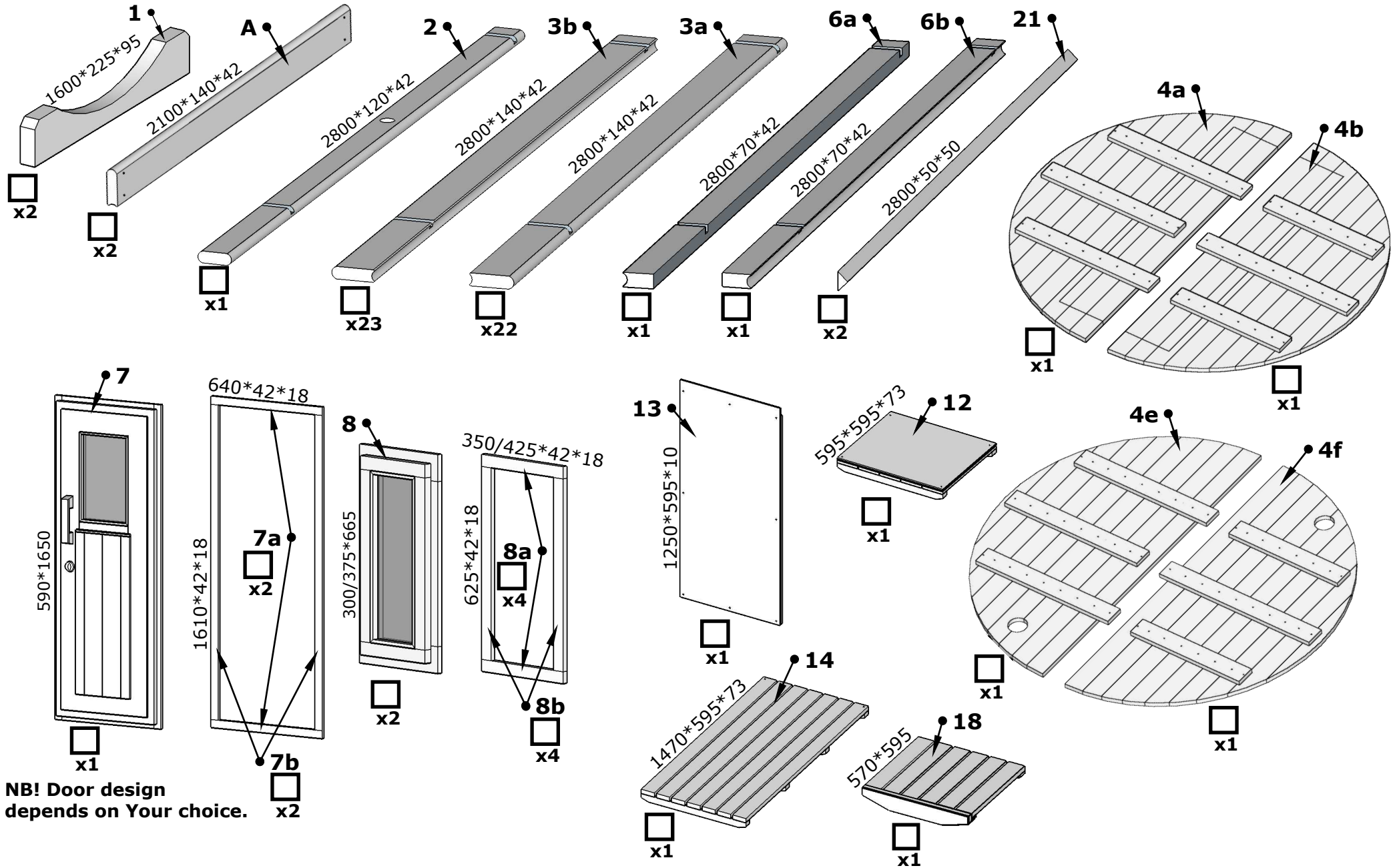
# Sauna 280, Ø200

**Please read the whole manual  
before You start.**



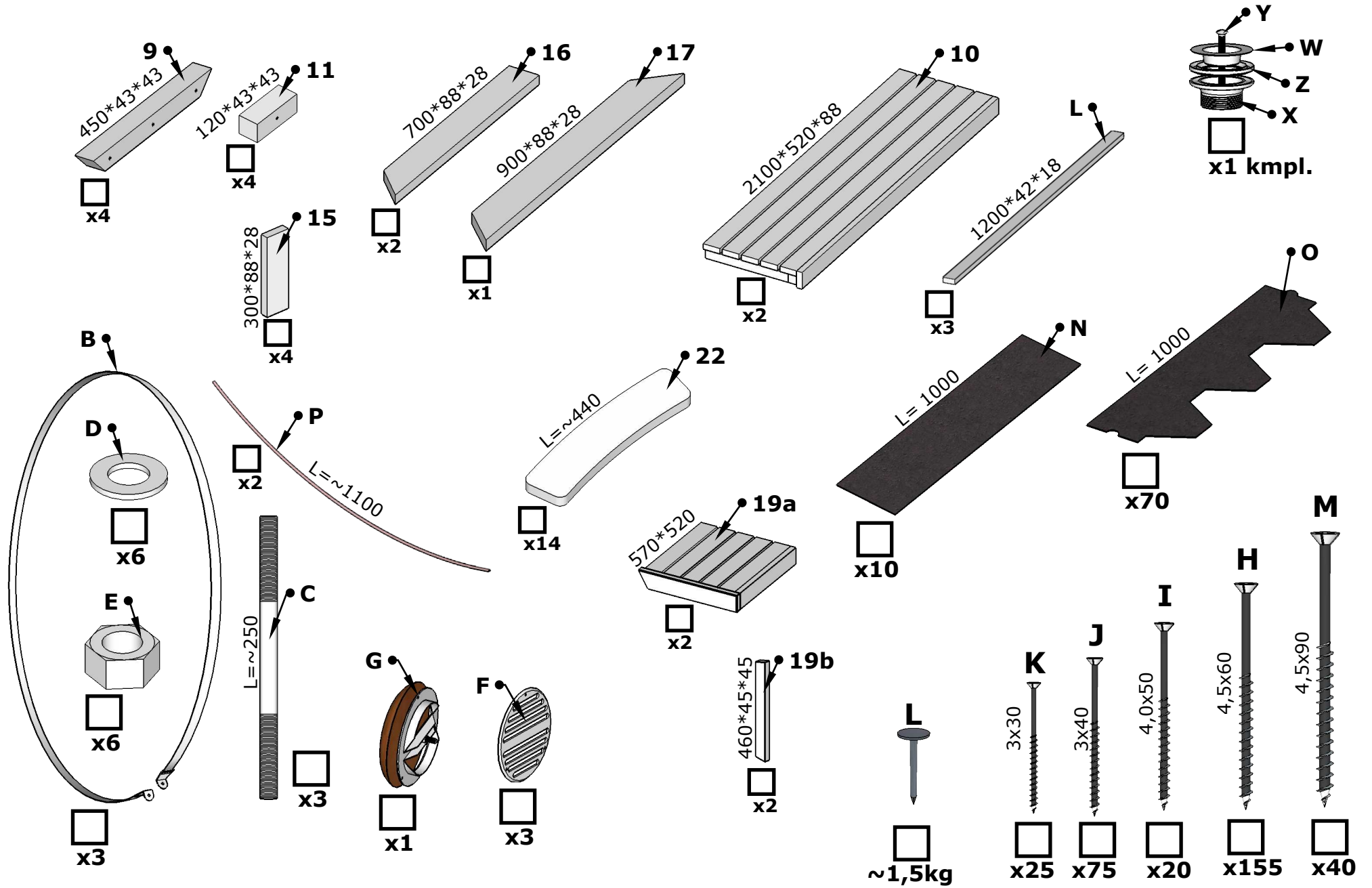
# SAUNA 280, Ø200

## Details list Nr. 1

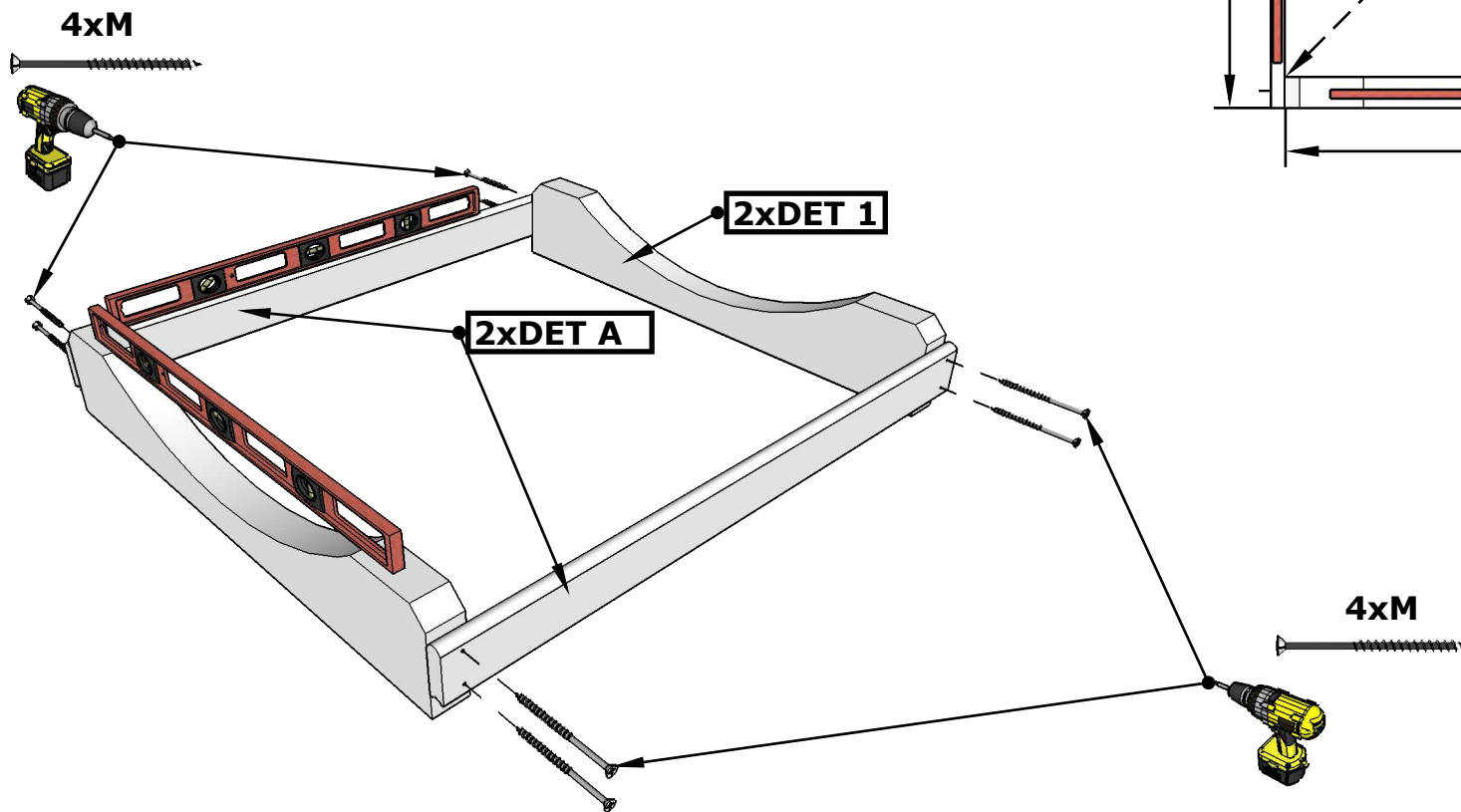
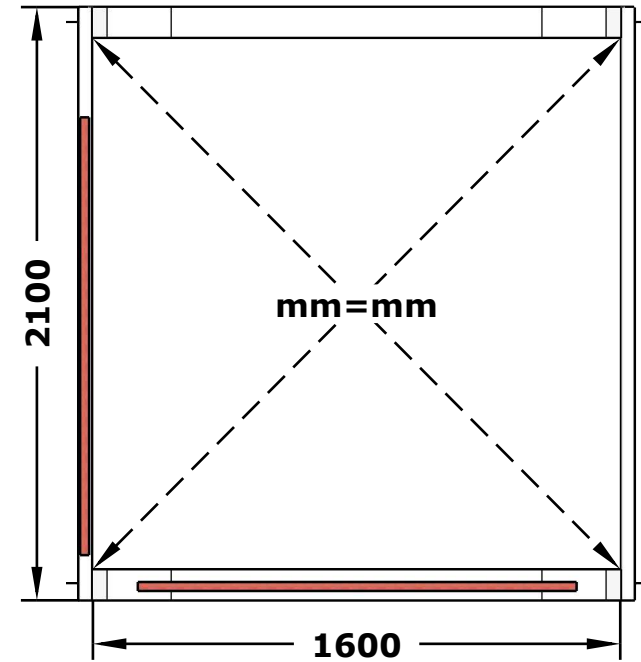


# SAUNA 280, Ø200

## Details list Nr. 2



# Sauna 280, Ø 200

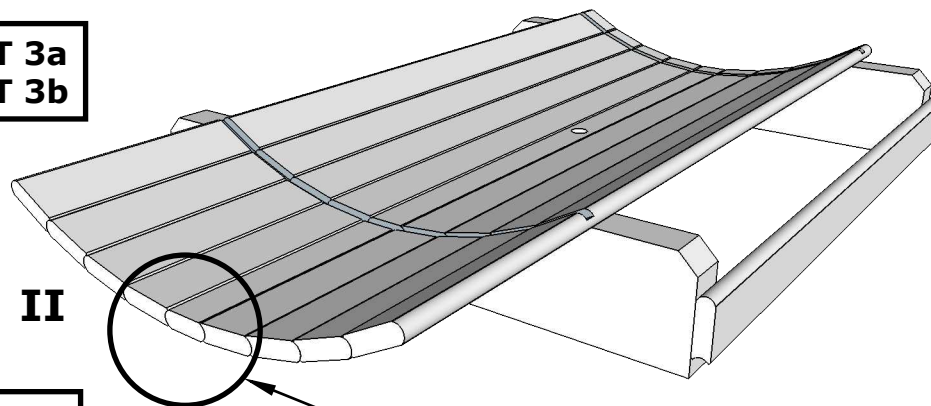


1.

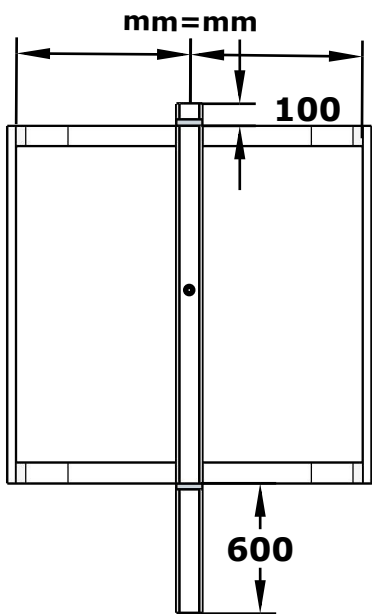
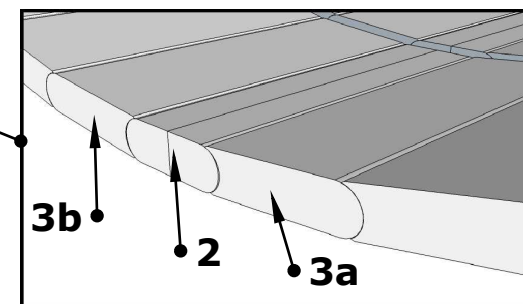
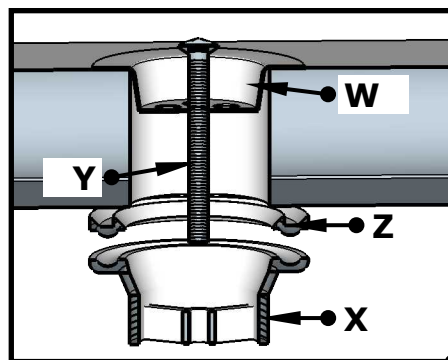
Sauna 280, Ø 200



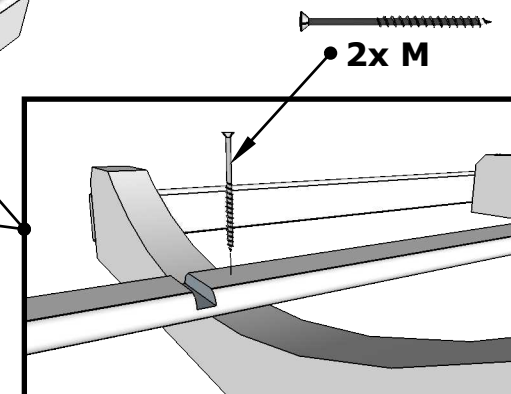
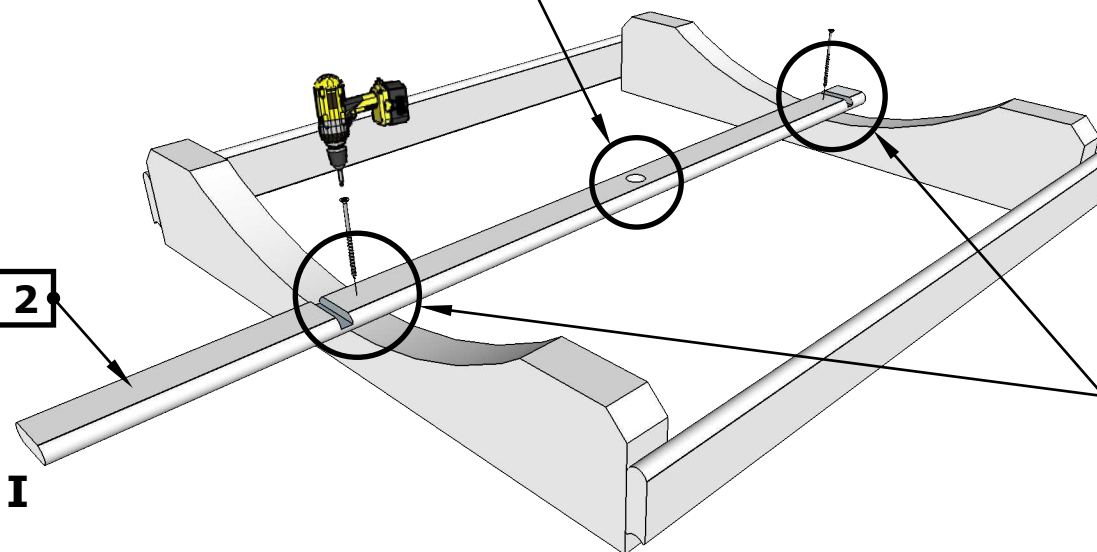
4 x DET 3a  
4 x DET 3b



II

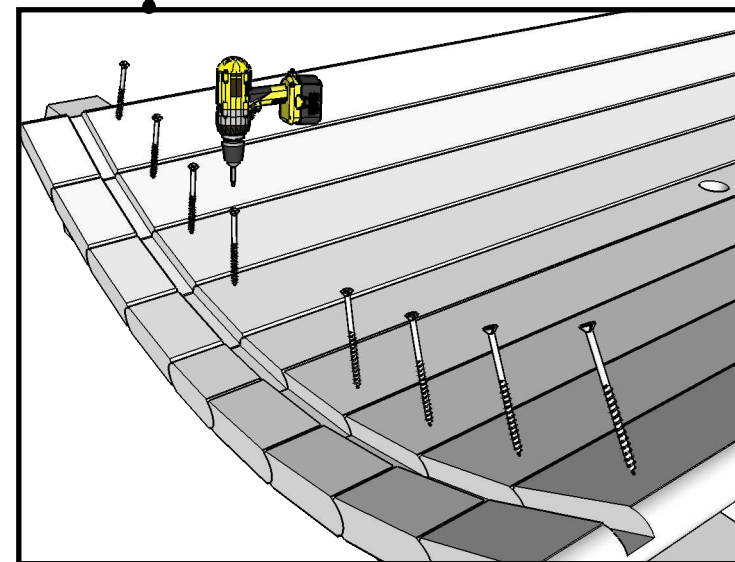
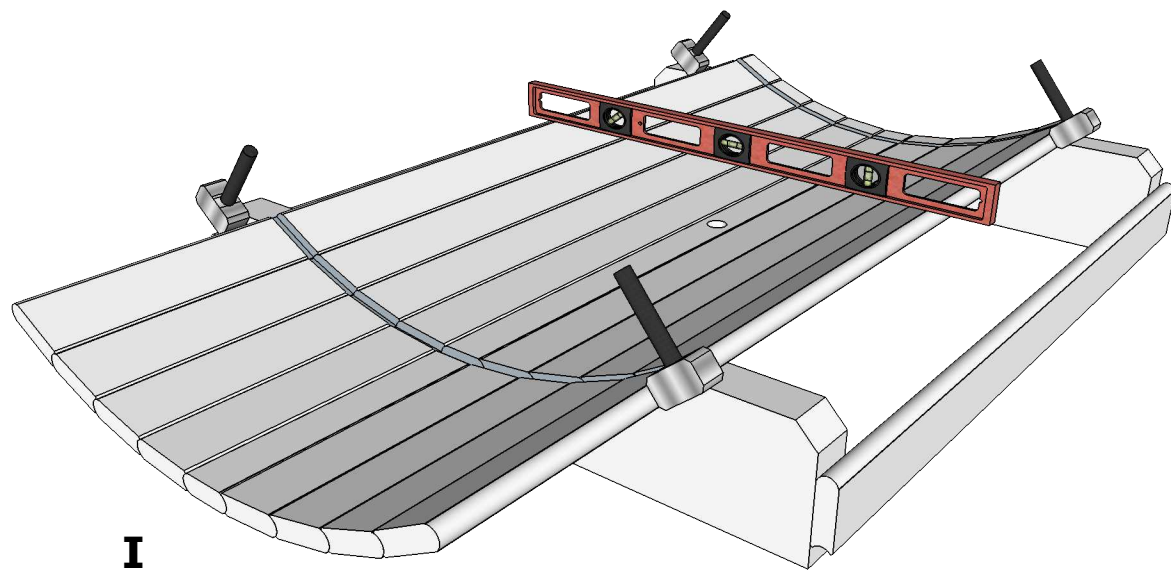
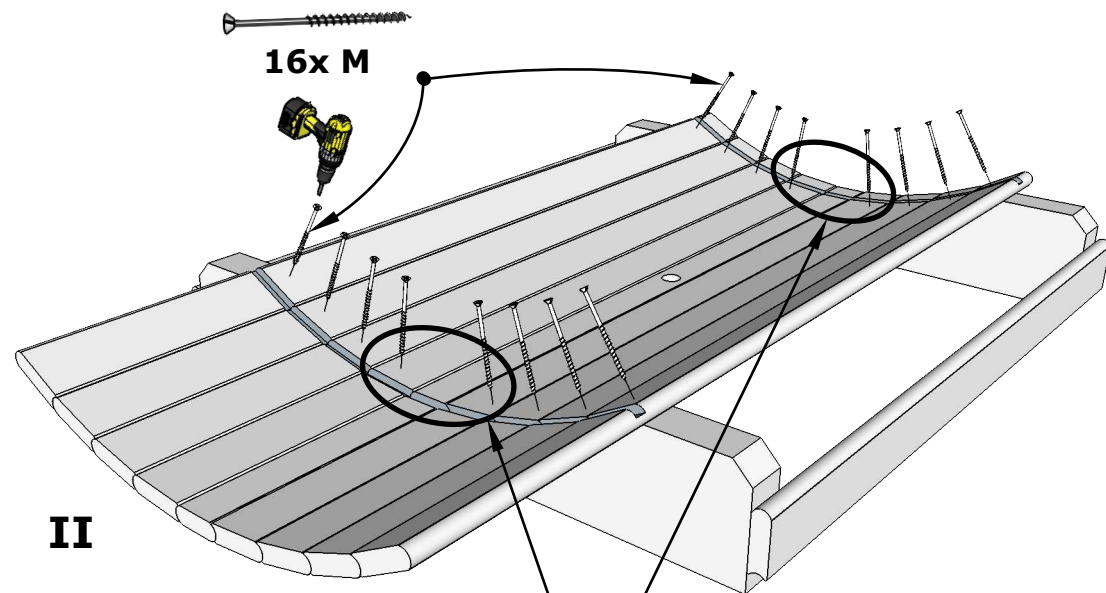


1x DET 2



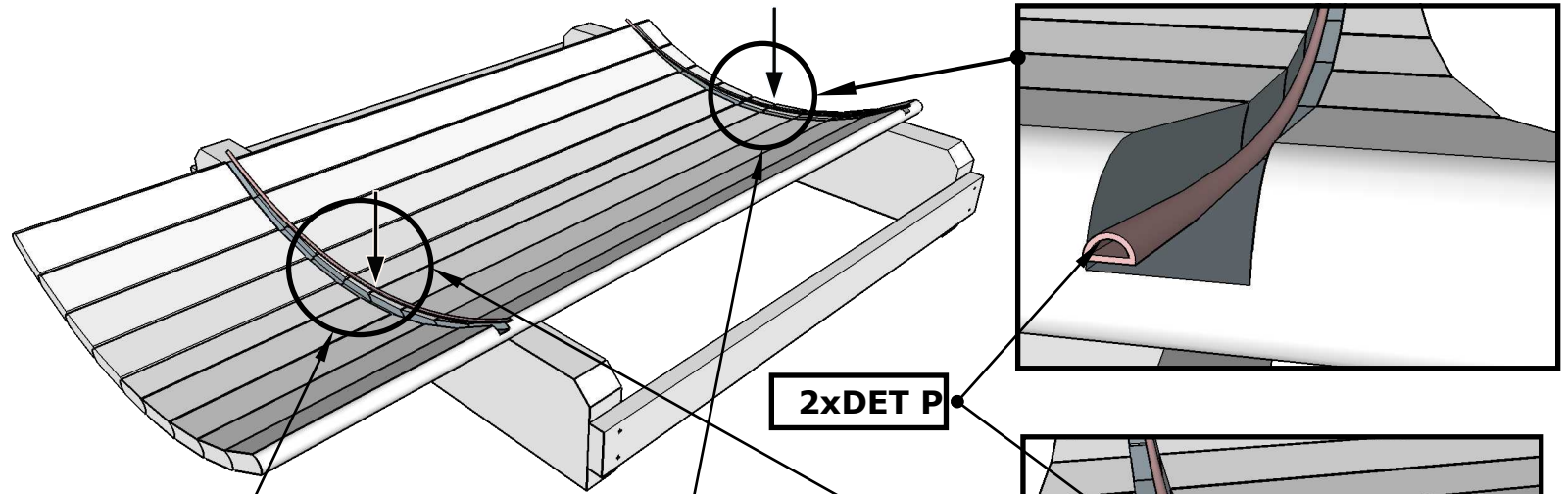
2.

Sauna 280, Ø 200

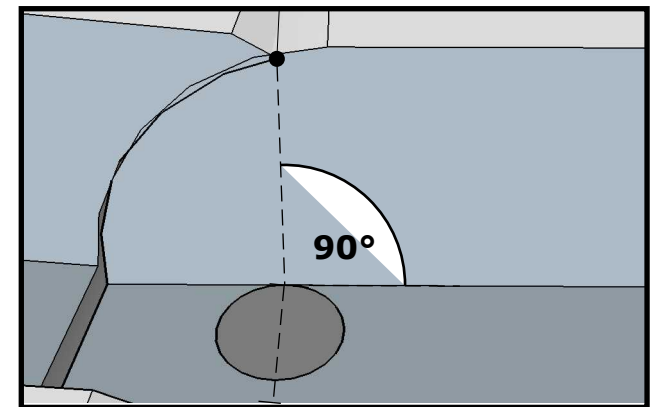
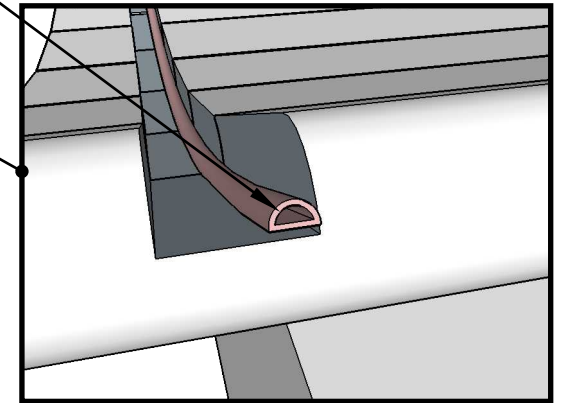
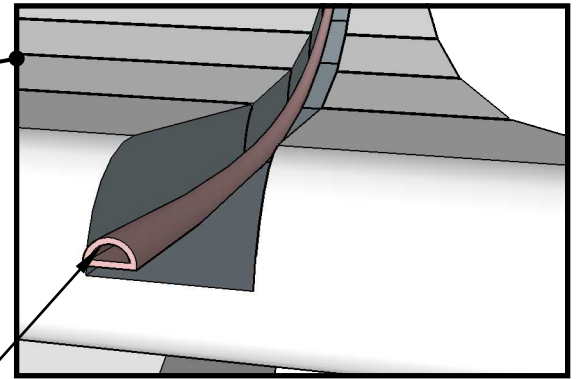
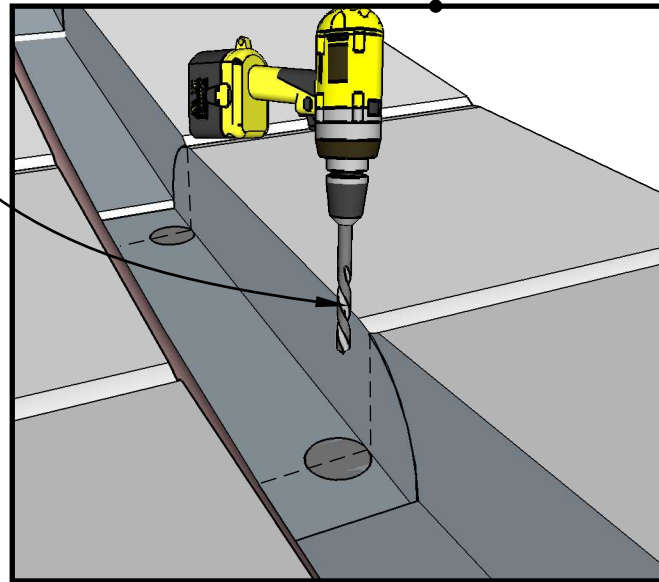
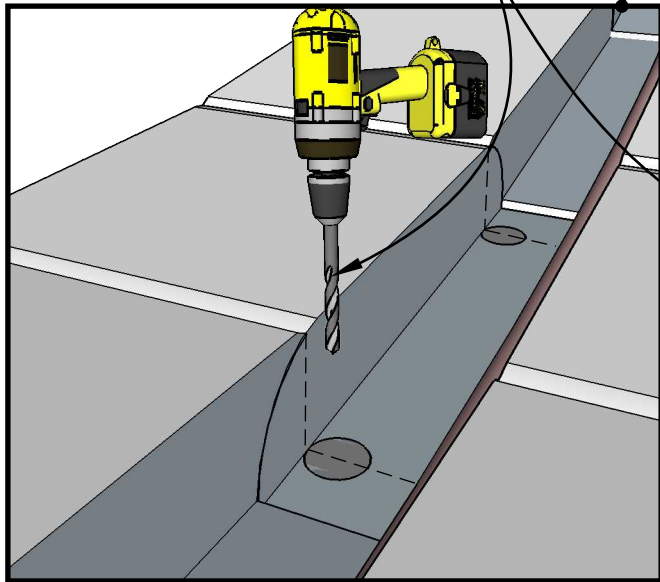


**3.**

Sauna 280, Ø 200

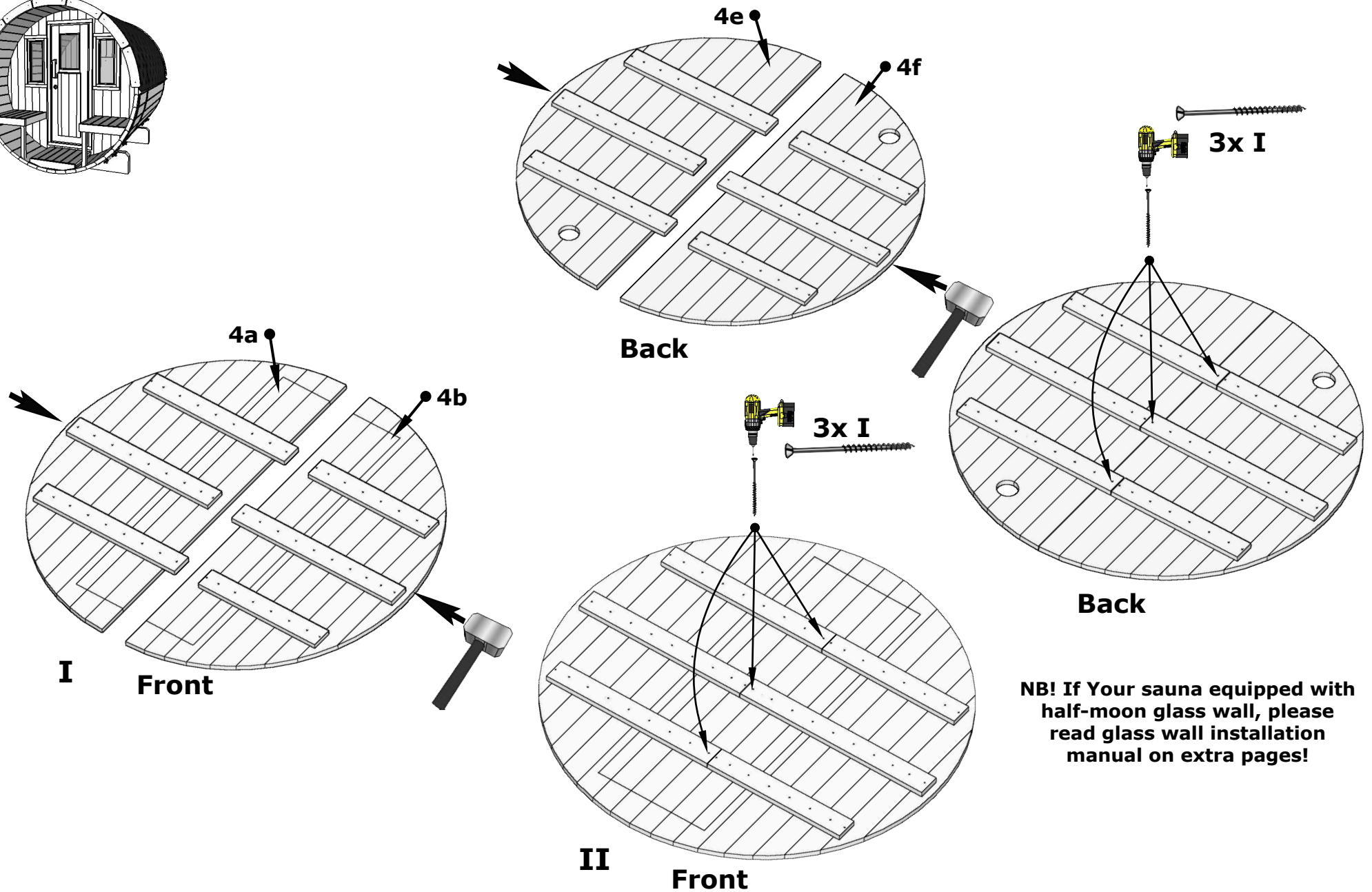


Drill 4 holes  
Ø10mm outside



3A.

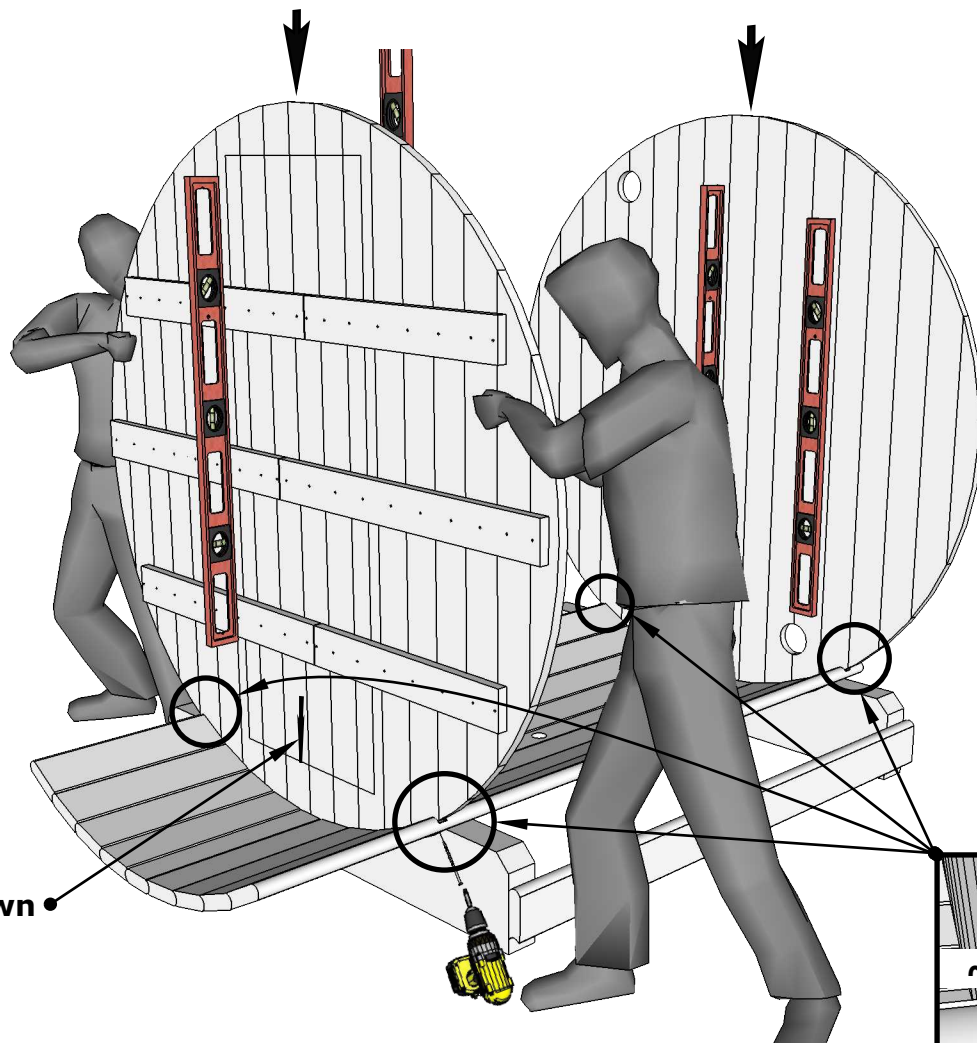
Sauna 280, Ø 200



**NB! If Your sauna equipped with half-moon glass wall, please read glass wall installation manual on extra pages!**

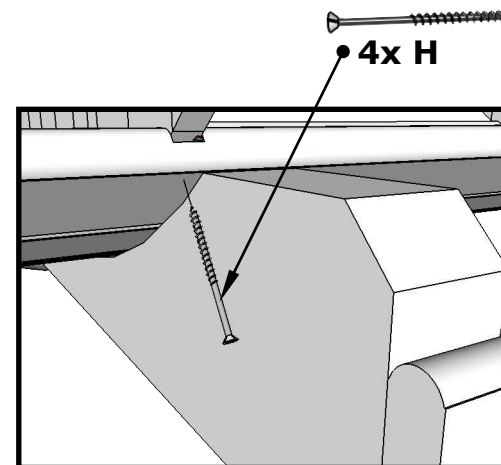


Sauna 280, Ø 200

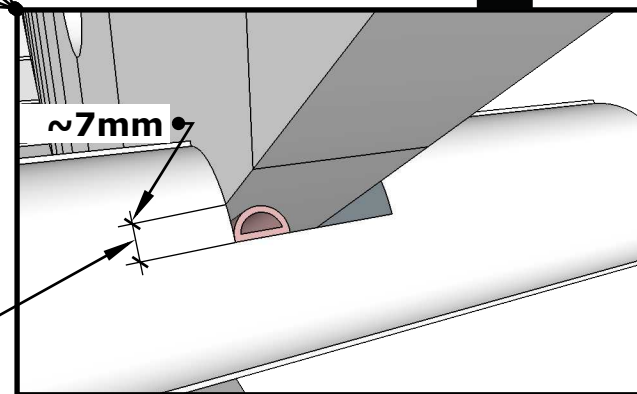


Use waterlevel

Arrow down



4x H



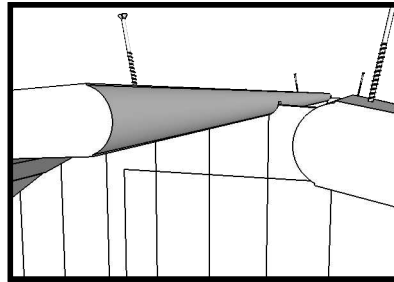
~7mm

Important!  
Don't leave space,  
if Your Sauna from  
thermowood.

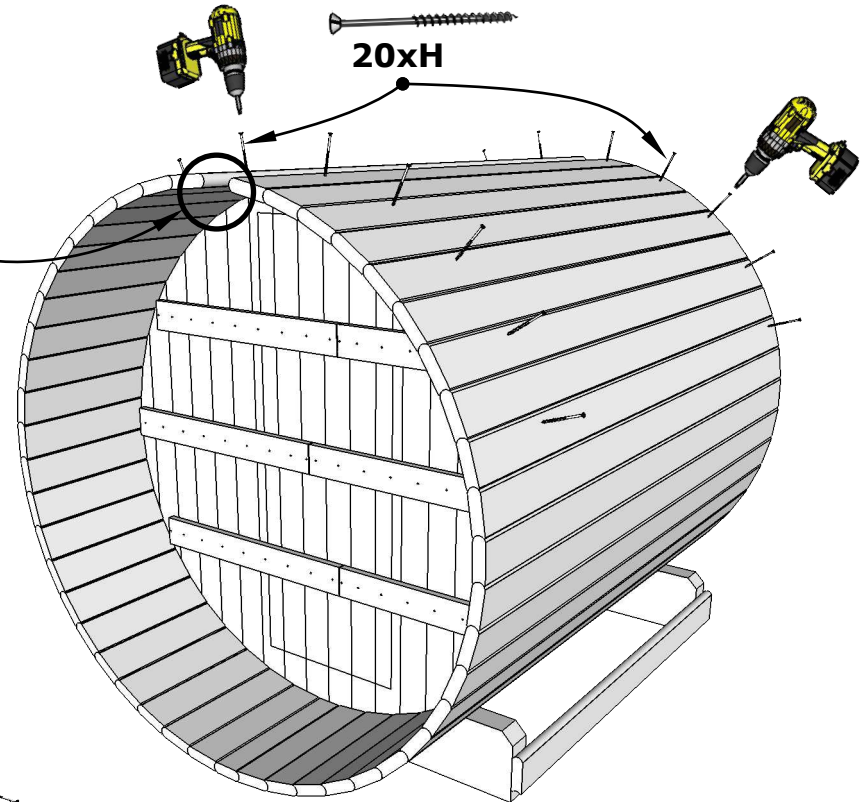
Sauna 280, Ø 200



See page 6A

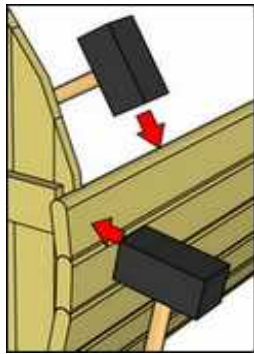


11x DET 3b  
10x DET 3a

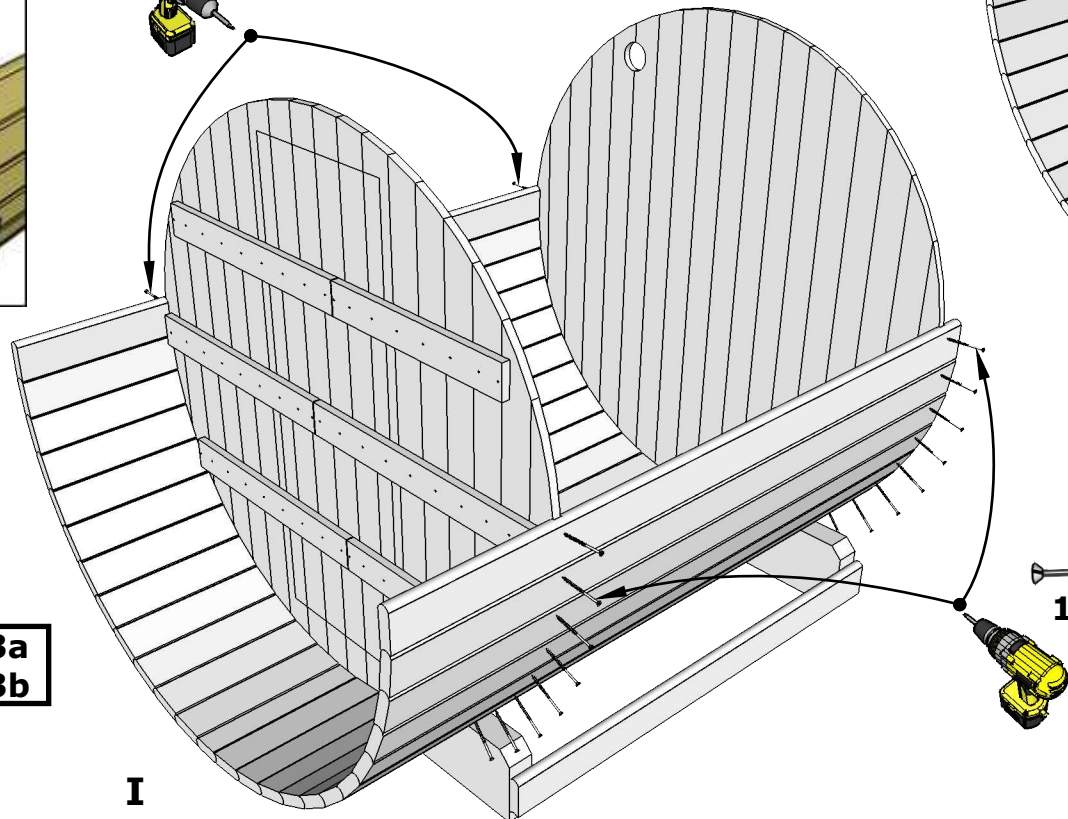


20xH

II



16xH



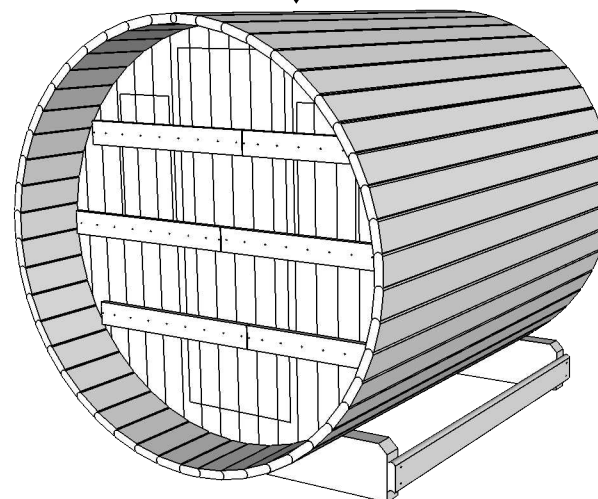
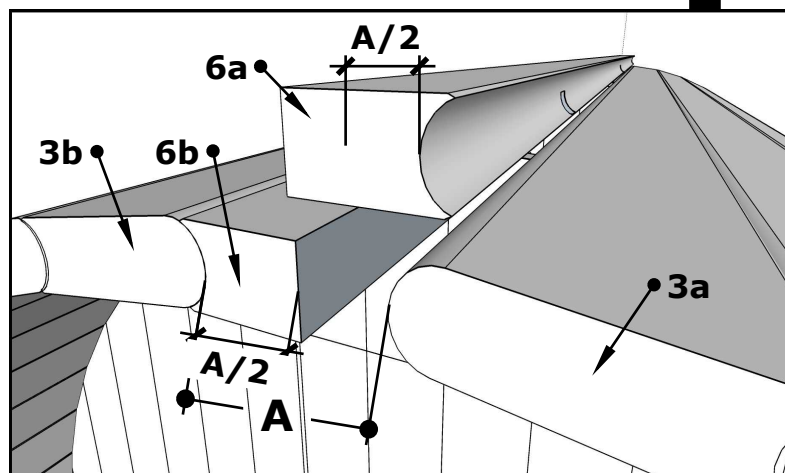
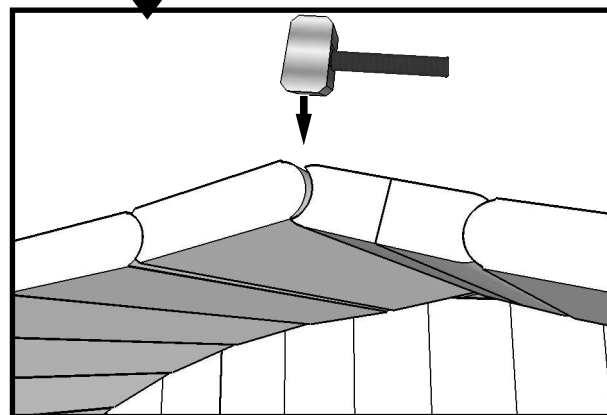
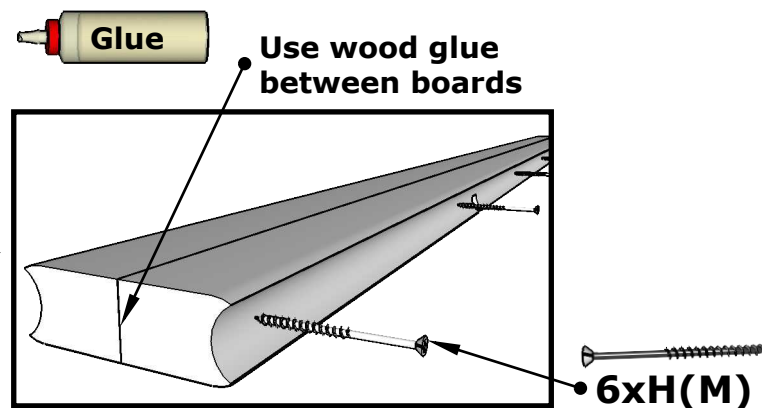
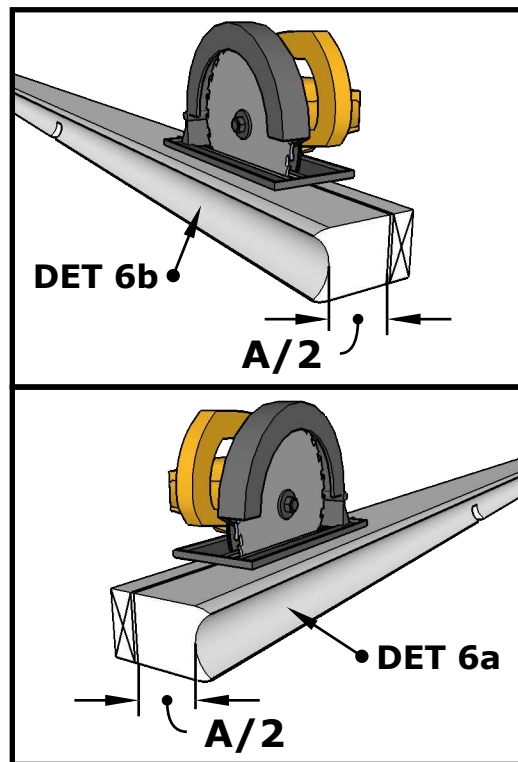
16xH

8x DET 3a  
8x DET 3b

I

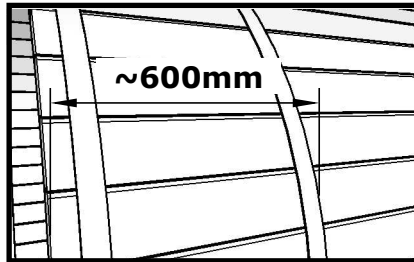
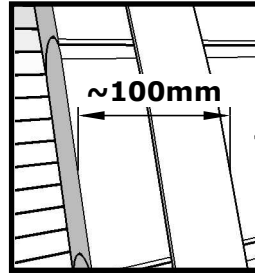
6.

Sauna 280, Ø 200



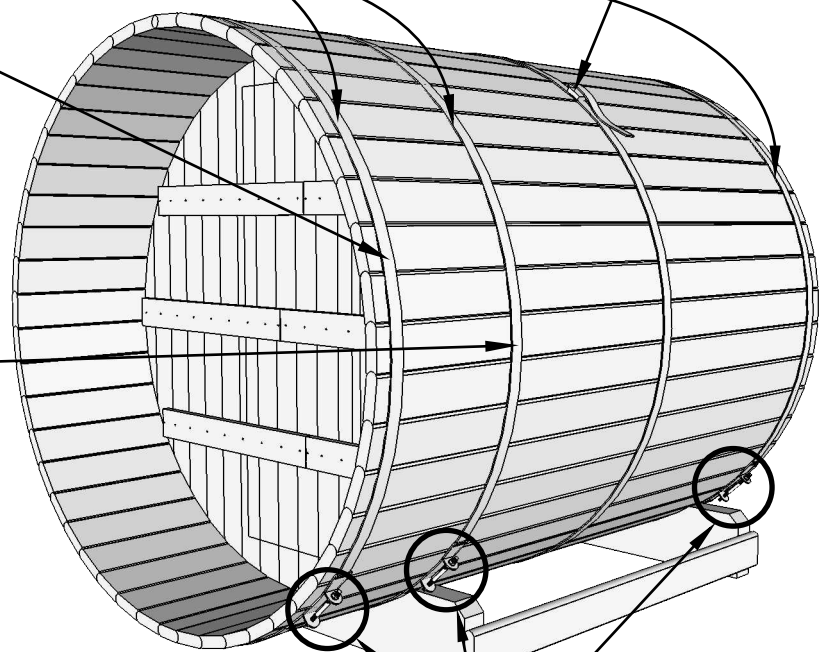
6A.

# Sauna 280, Ø 200



3xDET B

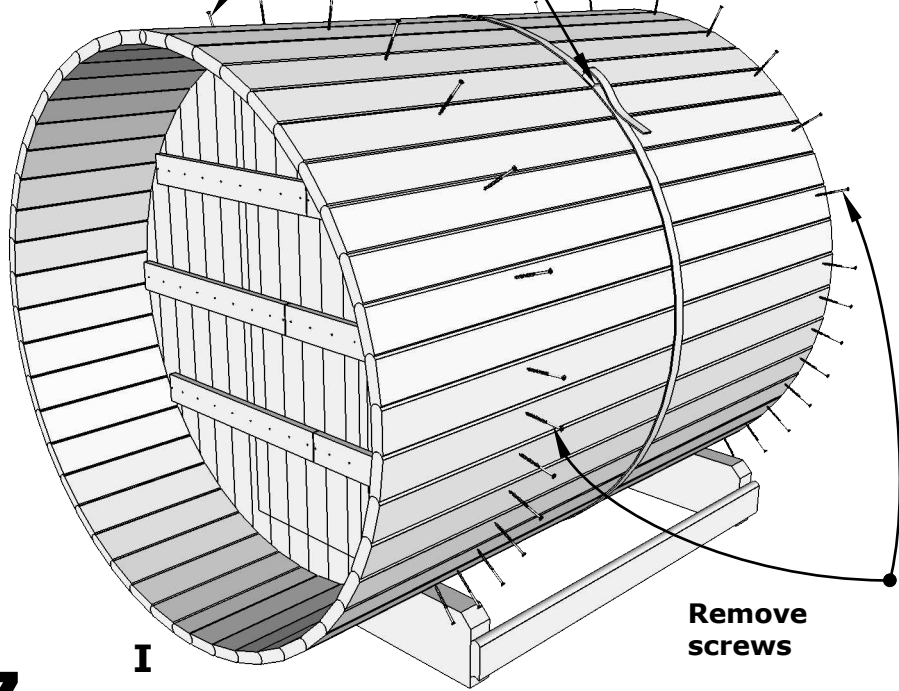
Remove



II

Remove screws

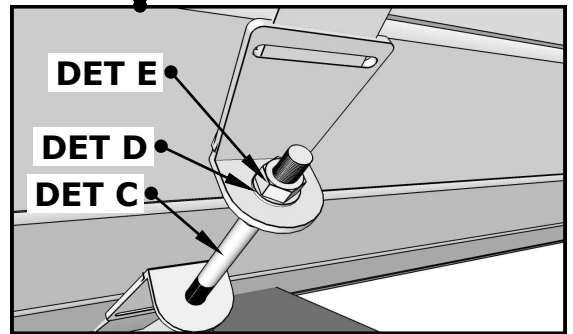
Use strap



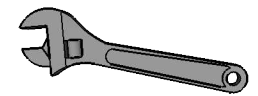
I

Remove screws

**Important!**  
Don't remove screws if Your Sauna from thermowood



During assembly and retightening the threaded rods, use oil (Würth HPS 1400 or similar) to avoid "cold welding" and it is also easier tightening.

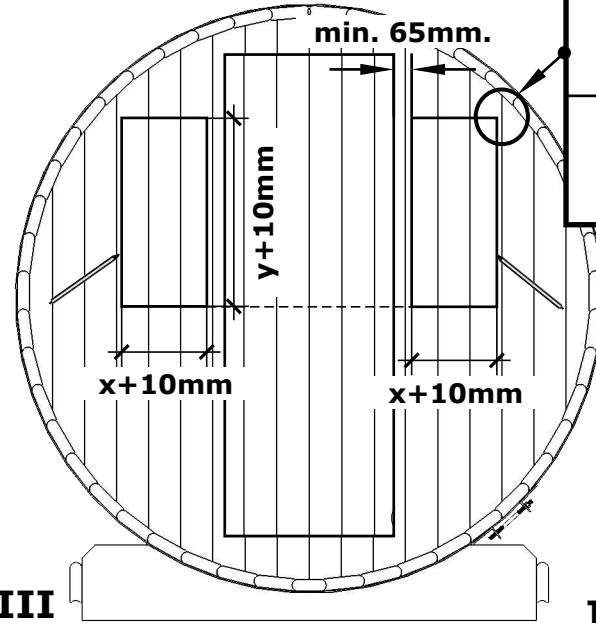


7.

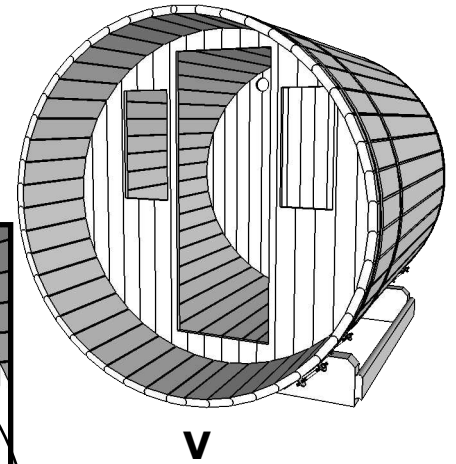
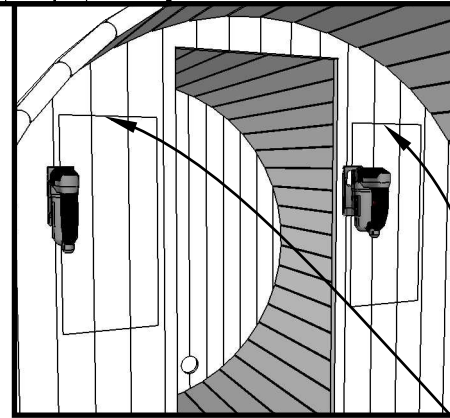
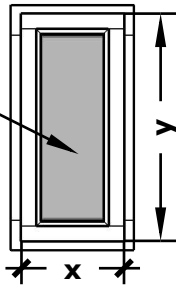
# Sauna 280, Ø 200



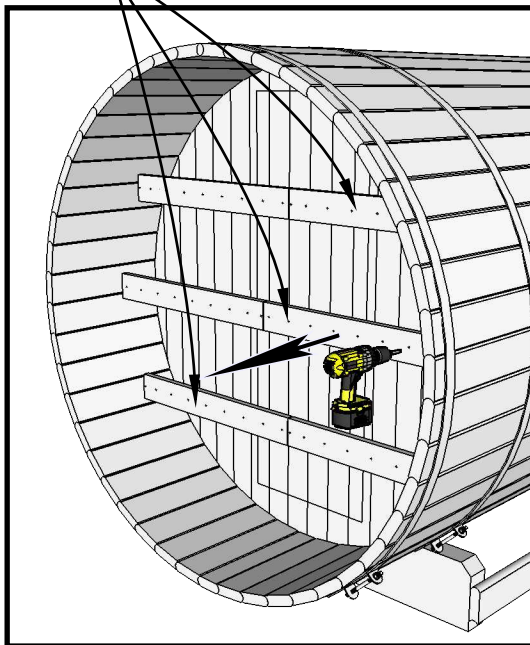
Mark windows openings.



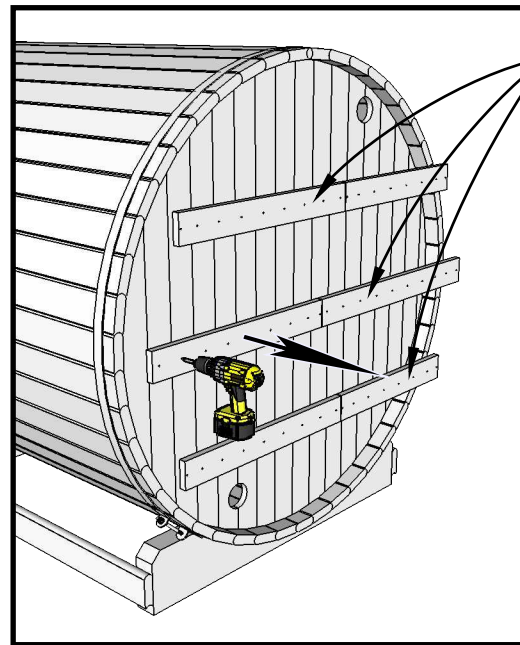
DET 8



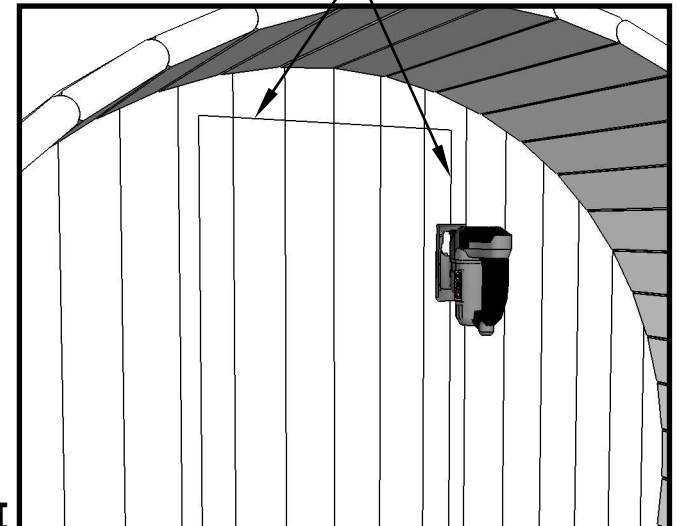
Remove all brackets



Remove all brackets



Cut out, follow the guidelines.



Sauna 280, Ø 200



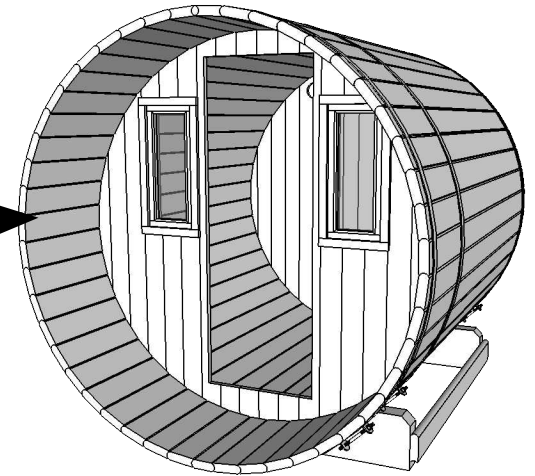
Use waterlevel for windows installation

4x DET 8a  
4x DET 8b

20x J



III



NB! Place windows from inside.

2x DET 8

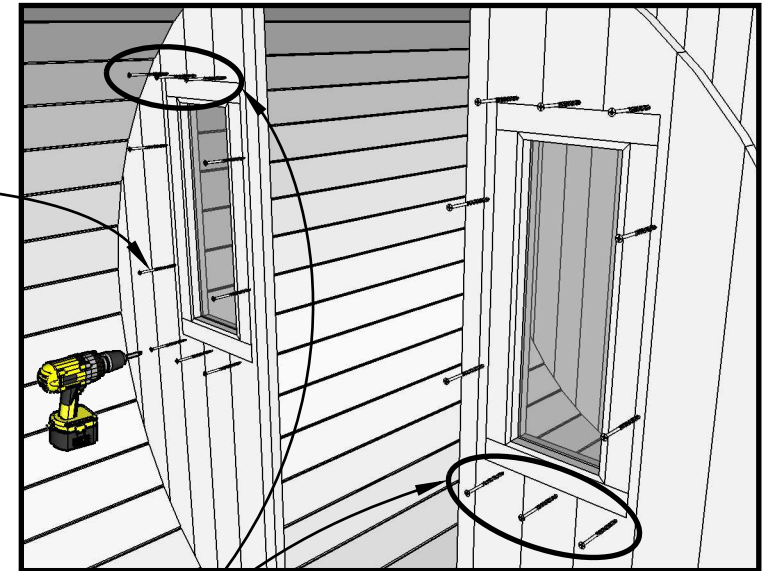


I

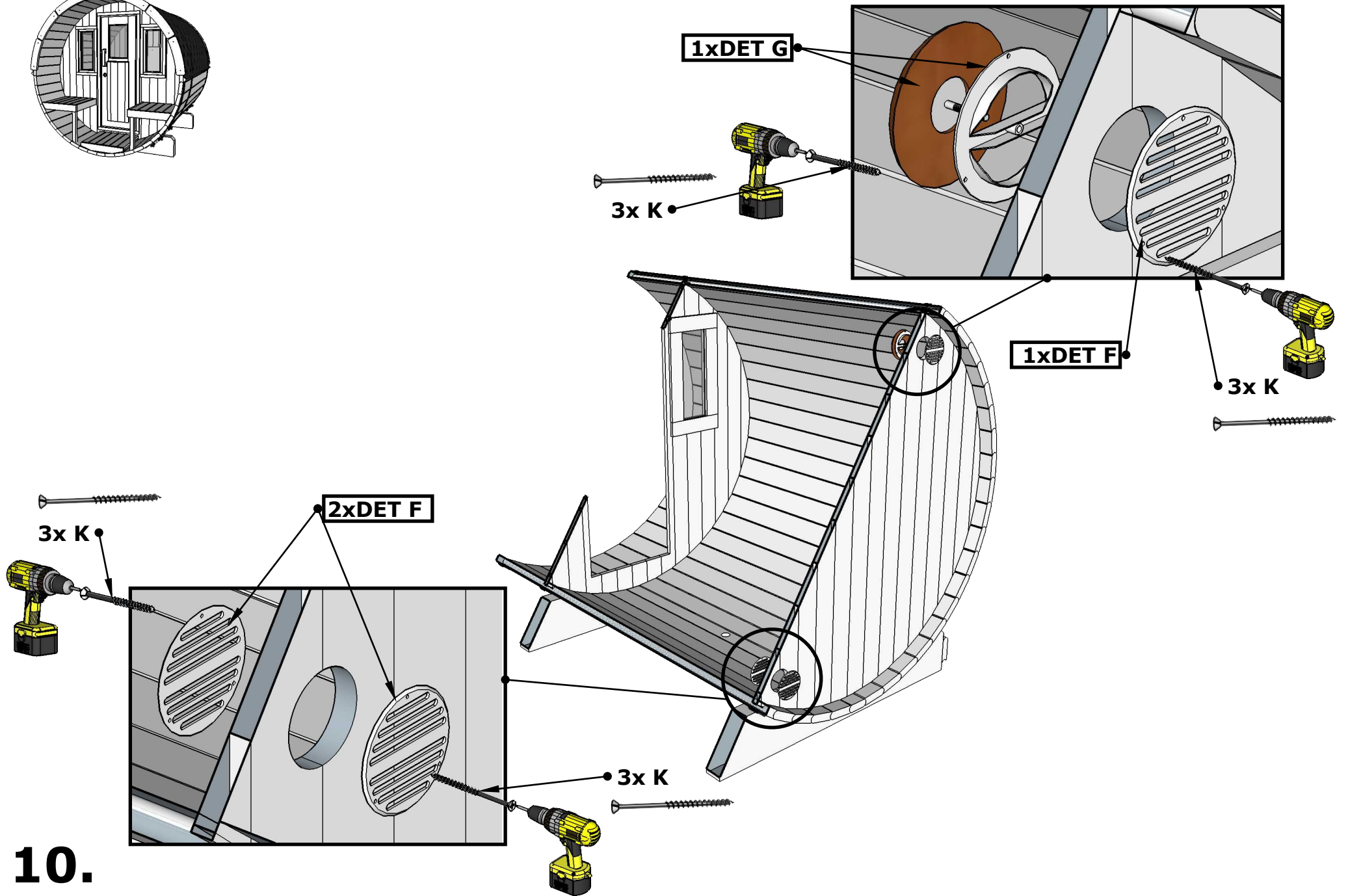
20x J

II

Horizontally fix screws in every board.

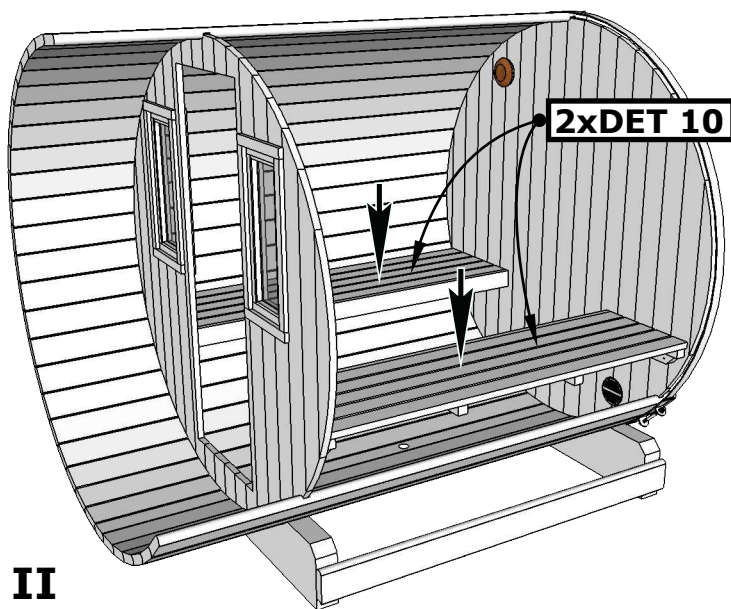


Sauna 280, Ø 200

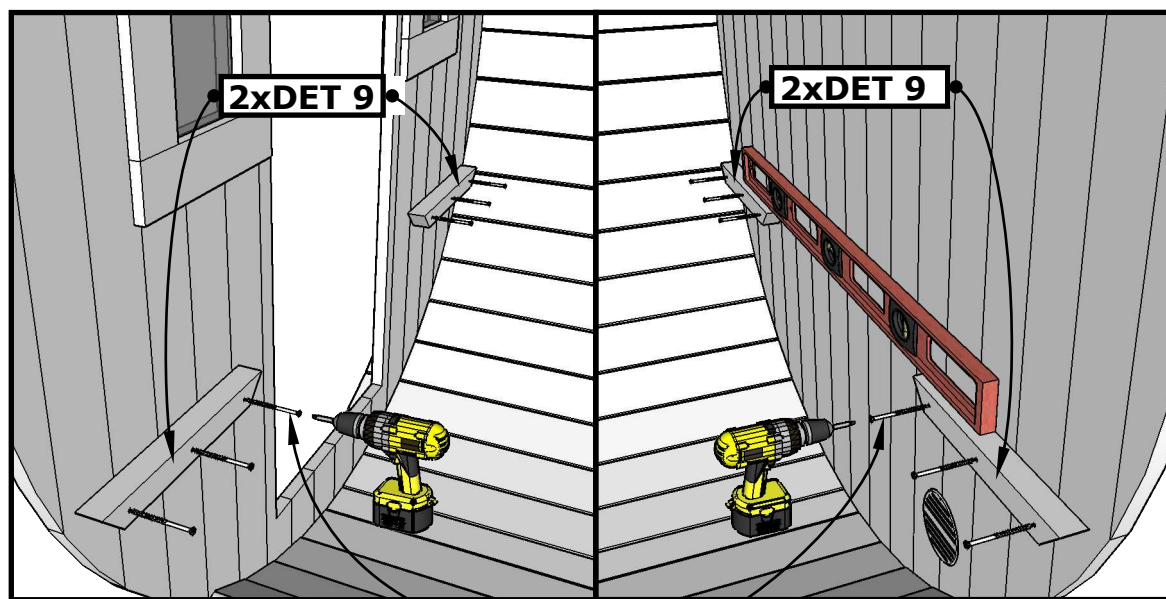


10.

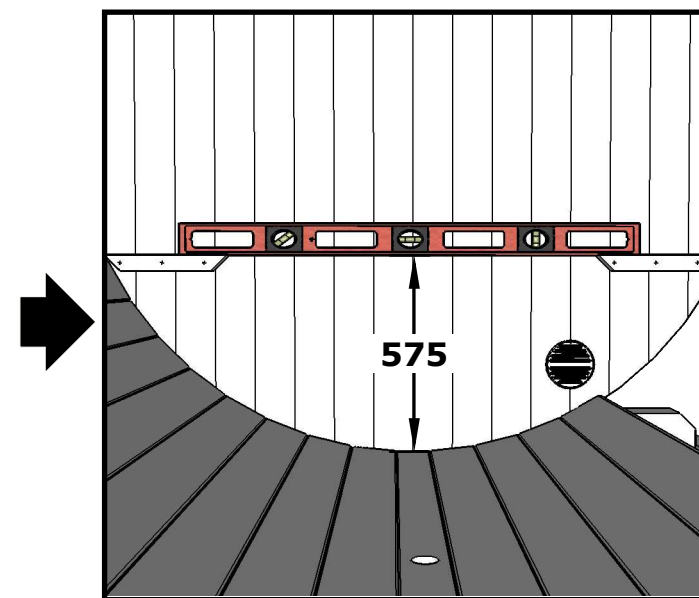
# Sauna 280, Ø 200



II



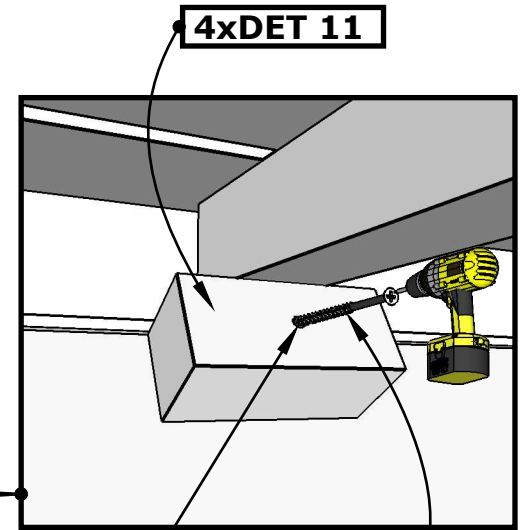
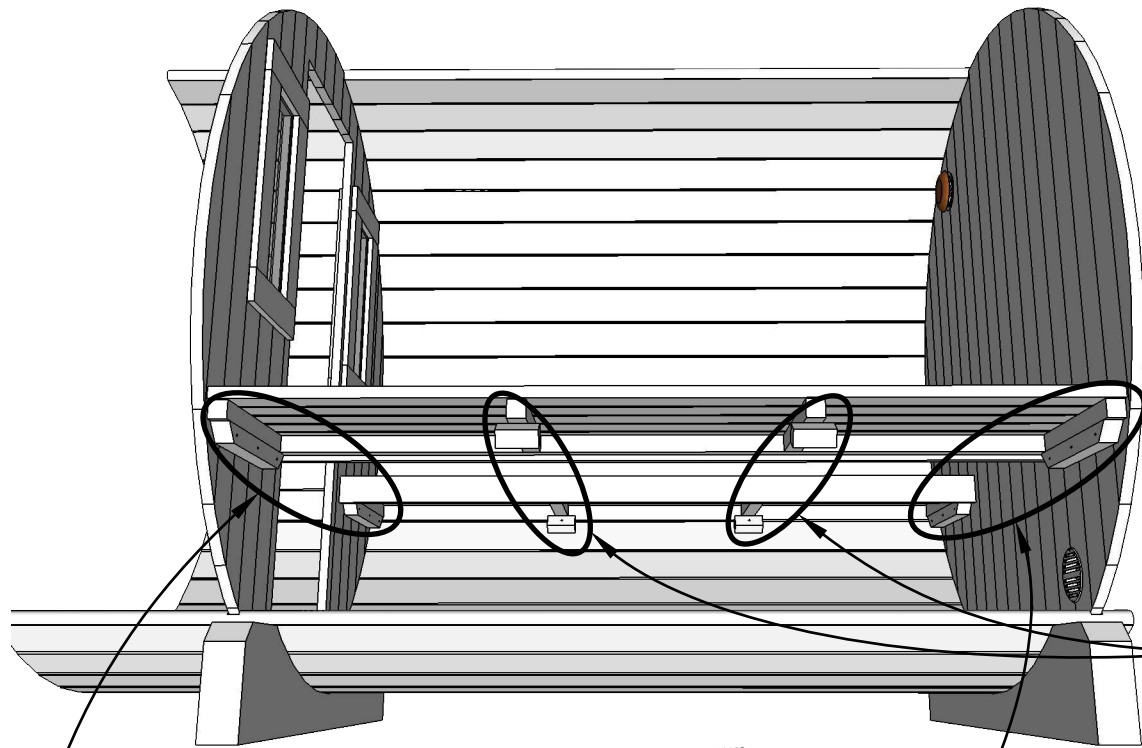
I



11.

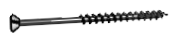


Sauna 280, Ø 200

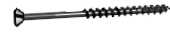
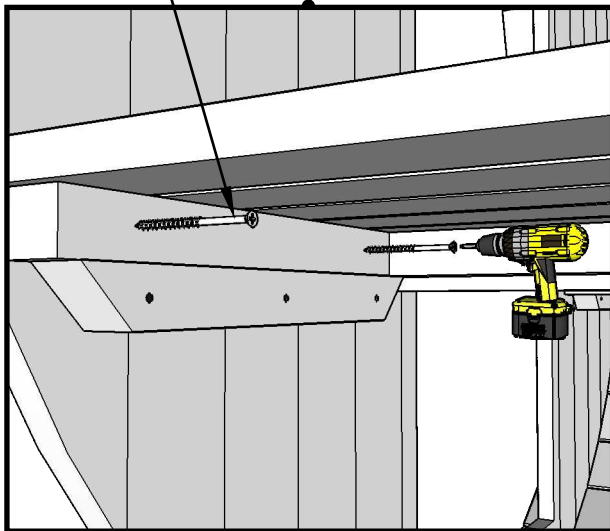


4x H ●

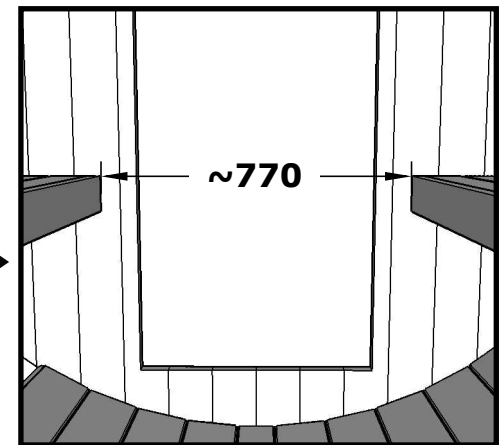
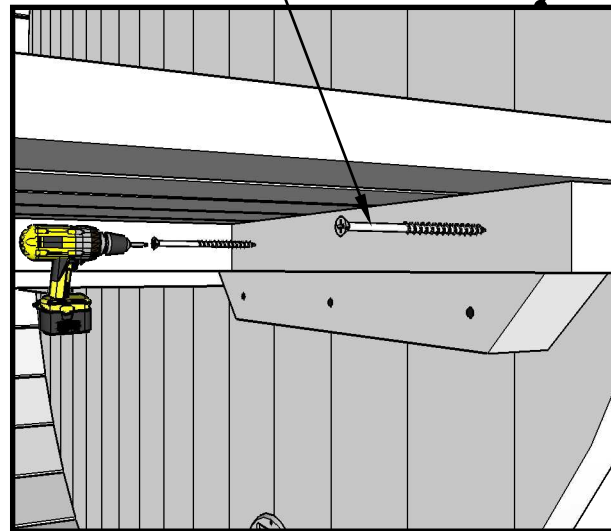
Drill holes Ø4mm  
before screws



4x H ●

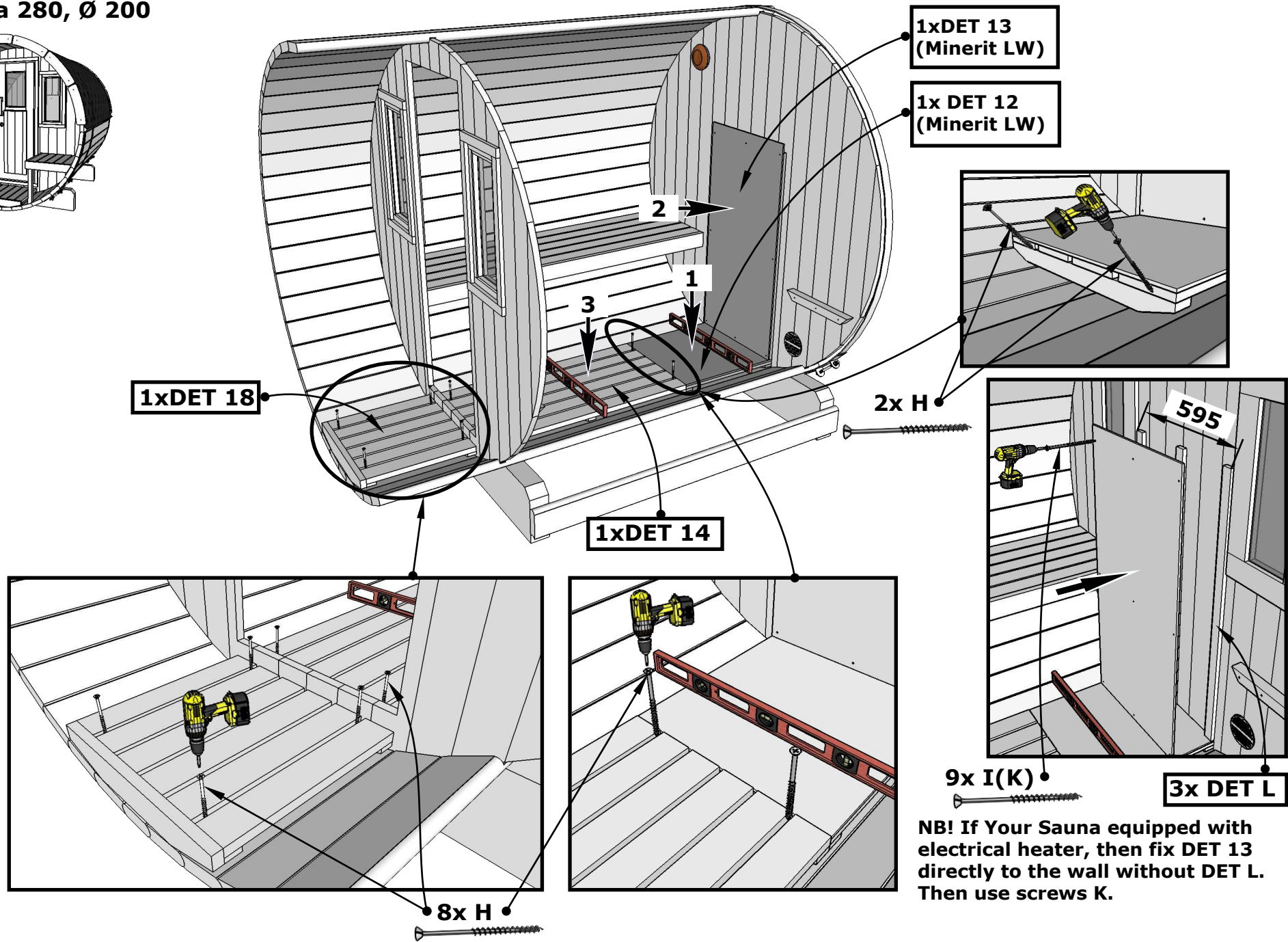


4x H ●

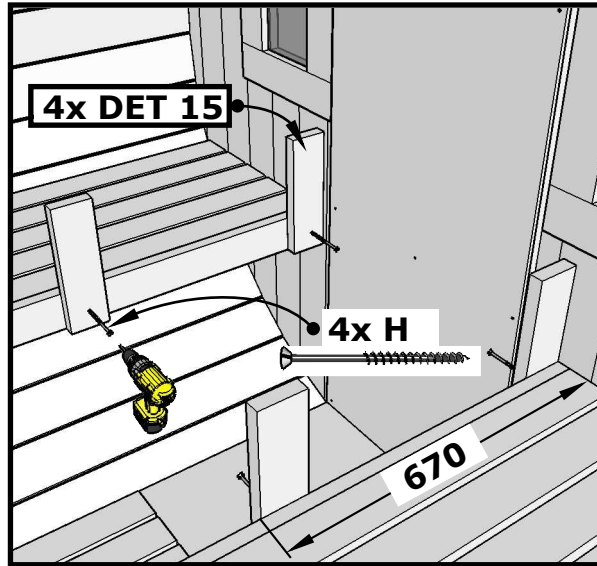


~770

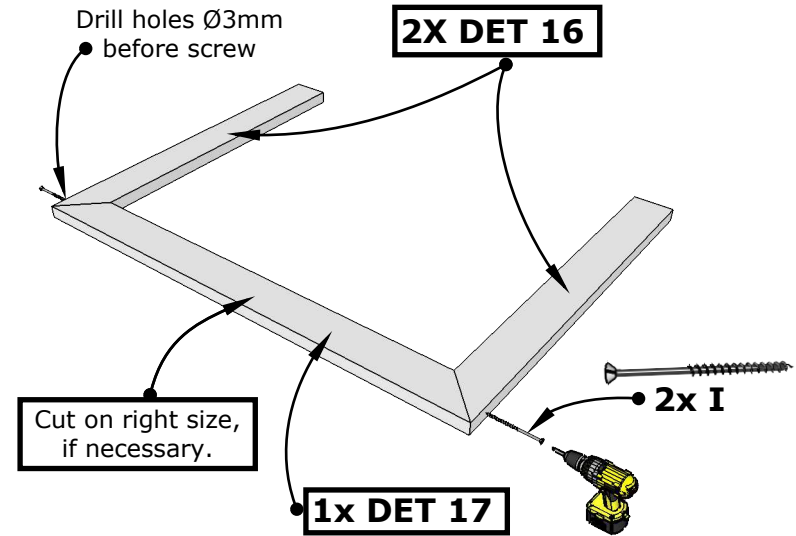
Sauna 280, Ø 200



# Sauna 280, Ø 200



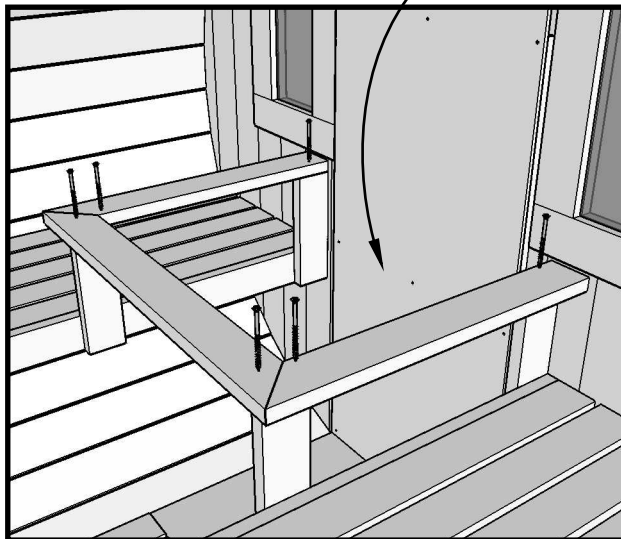
I



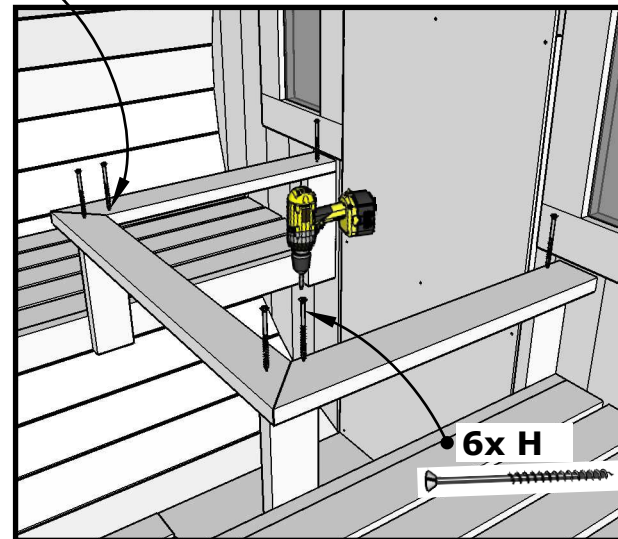
II

NB: Place sauna heater first

Drill holes Ø4mm before screws

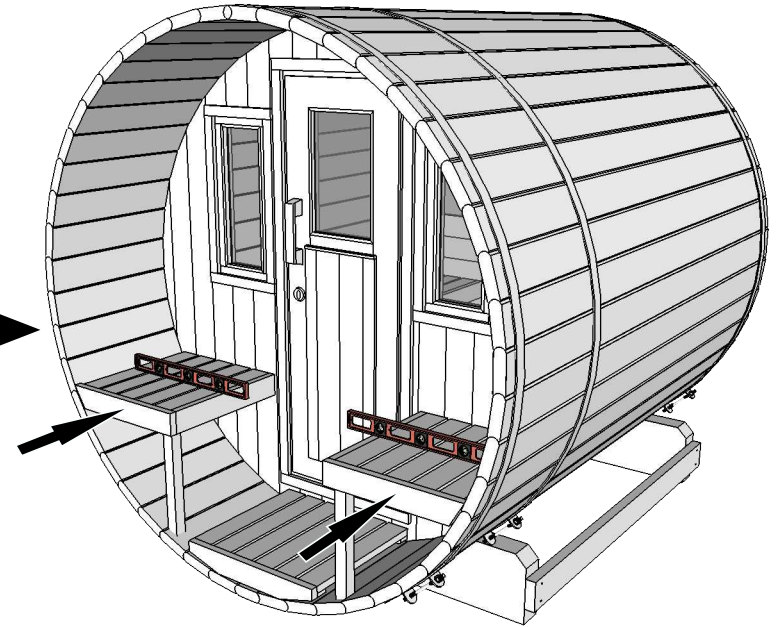
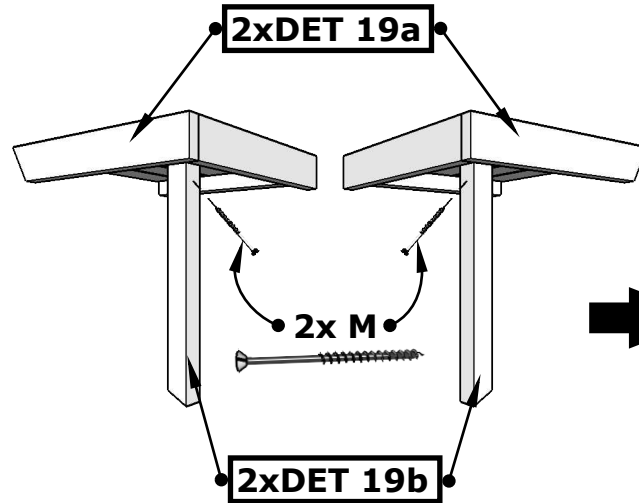


III



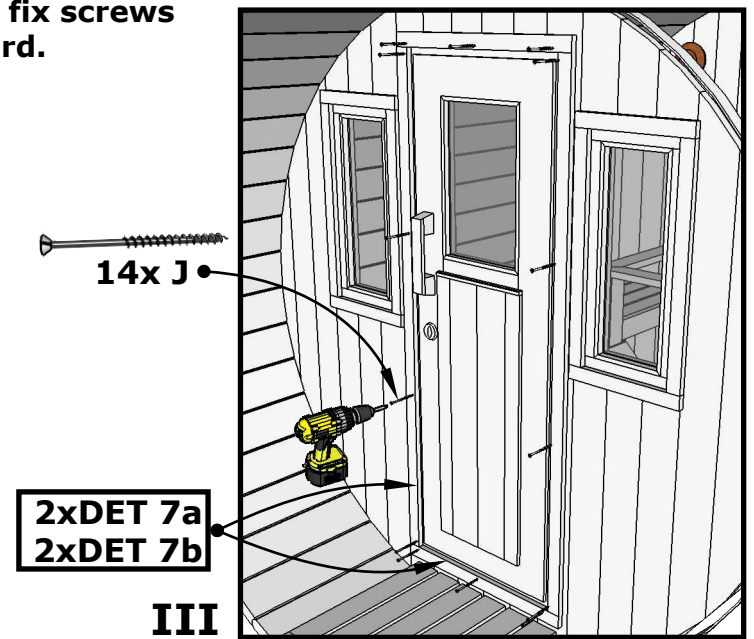
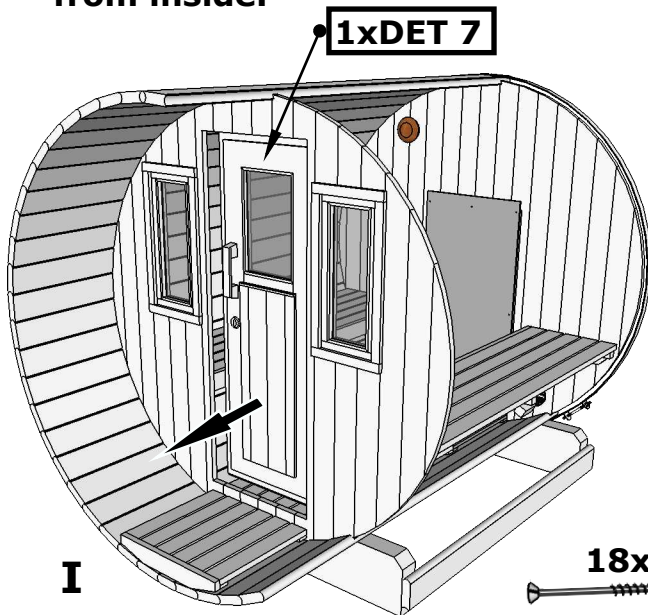
IV

Sauna 280, Ø 200



Use waterlevel for door installation.

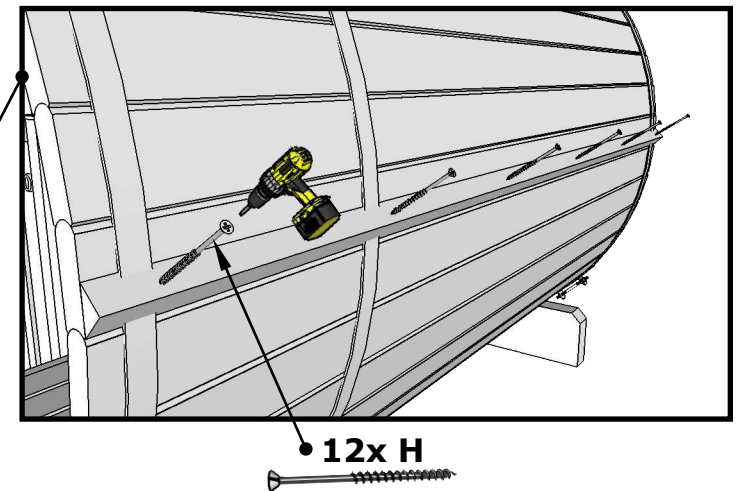
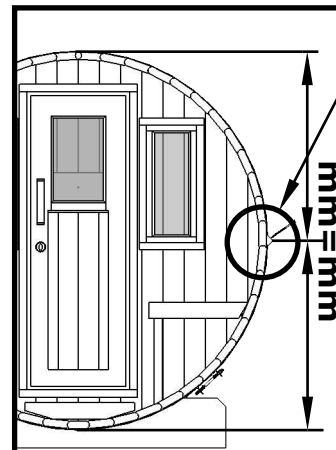
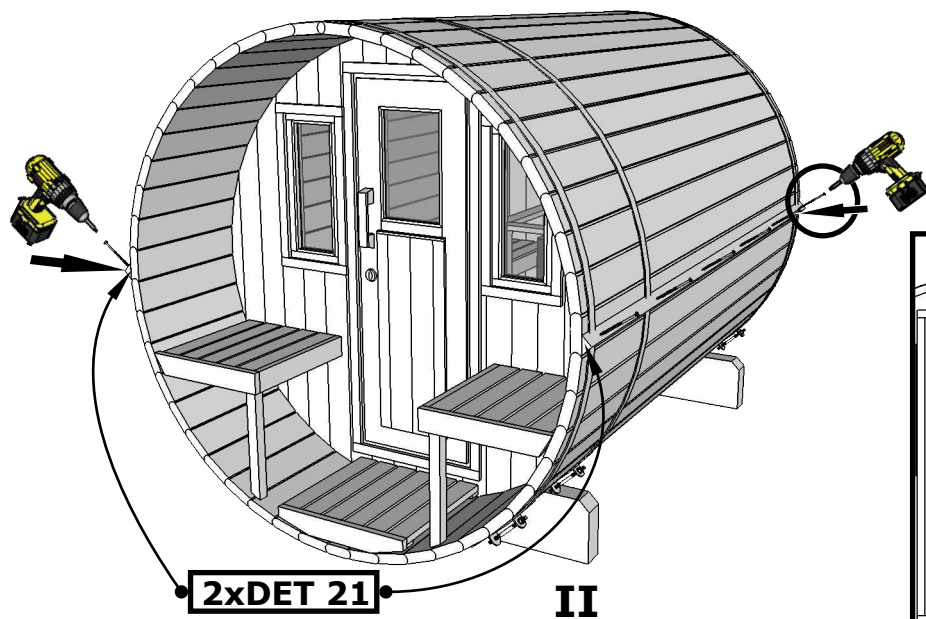
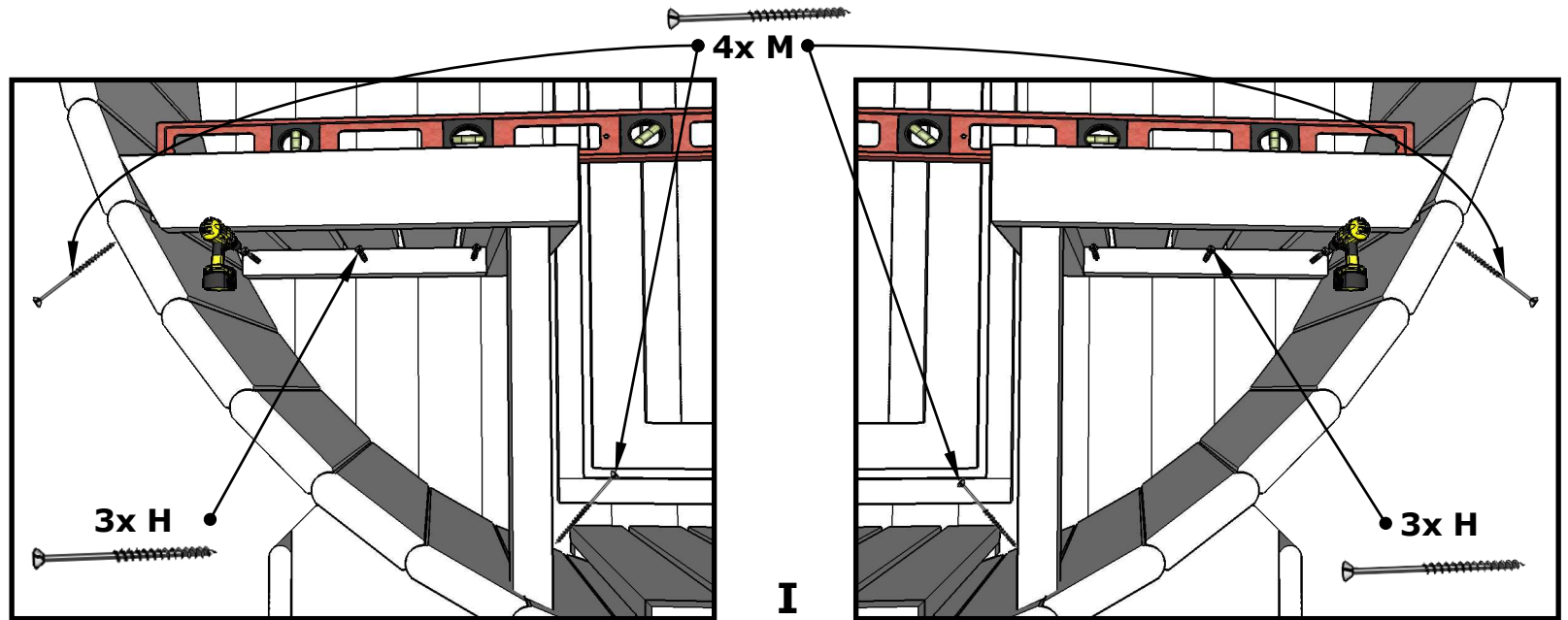
NB! Place door from inside.



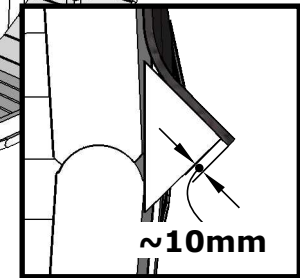
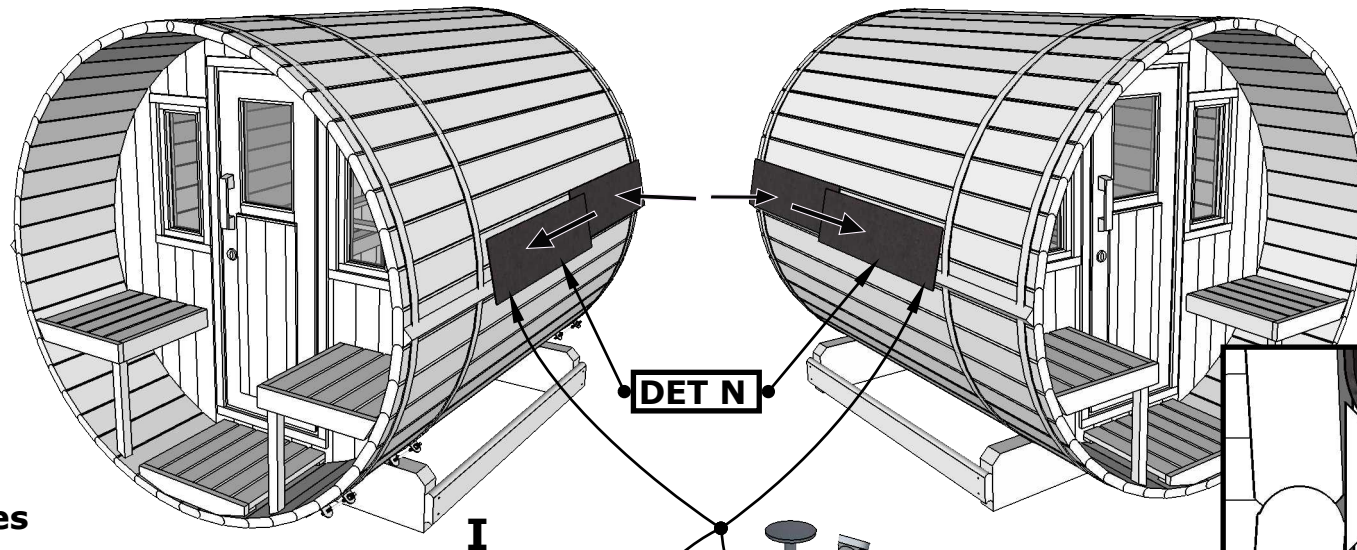
I  
**15.**

III

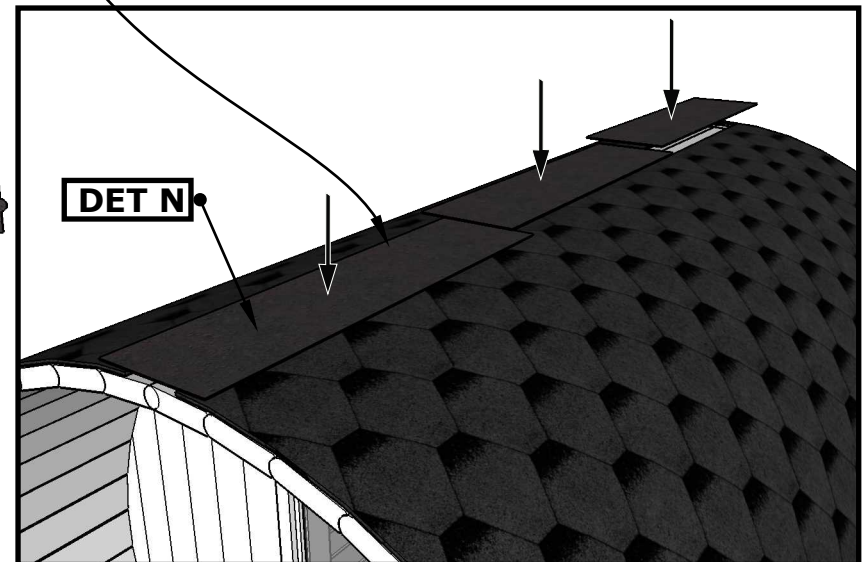
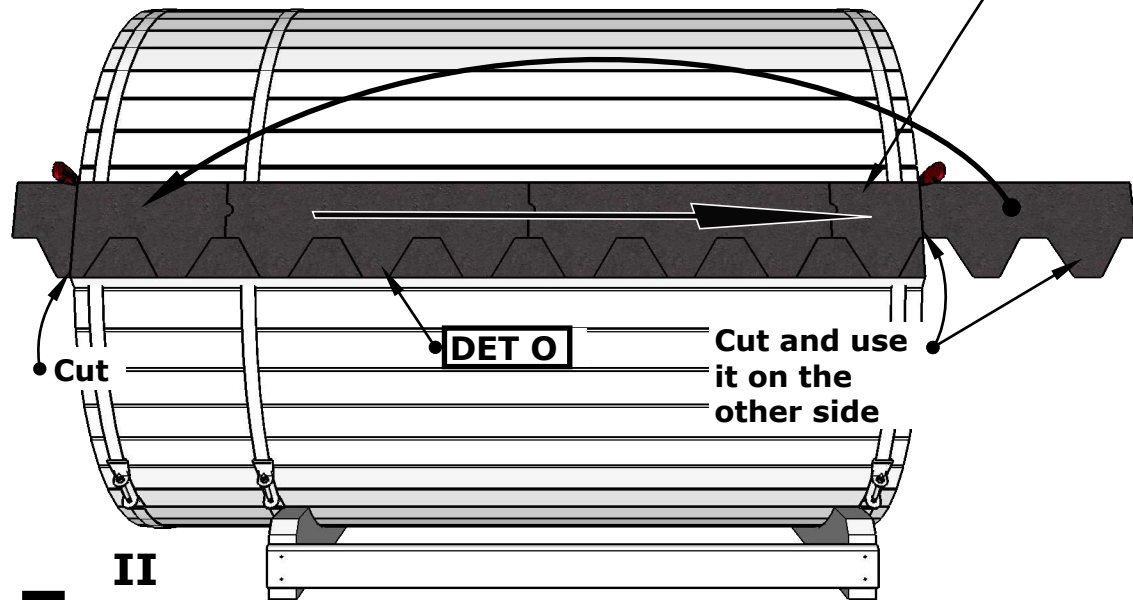
Sauna 280, Ø 200



# Sauna 280, Ø 200



**NB! Check also shingles installation manual inside shingles package.**



Sauna 280, Ø 200

