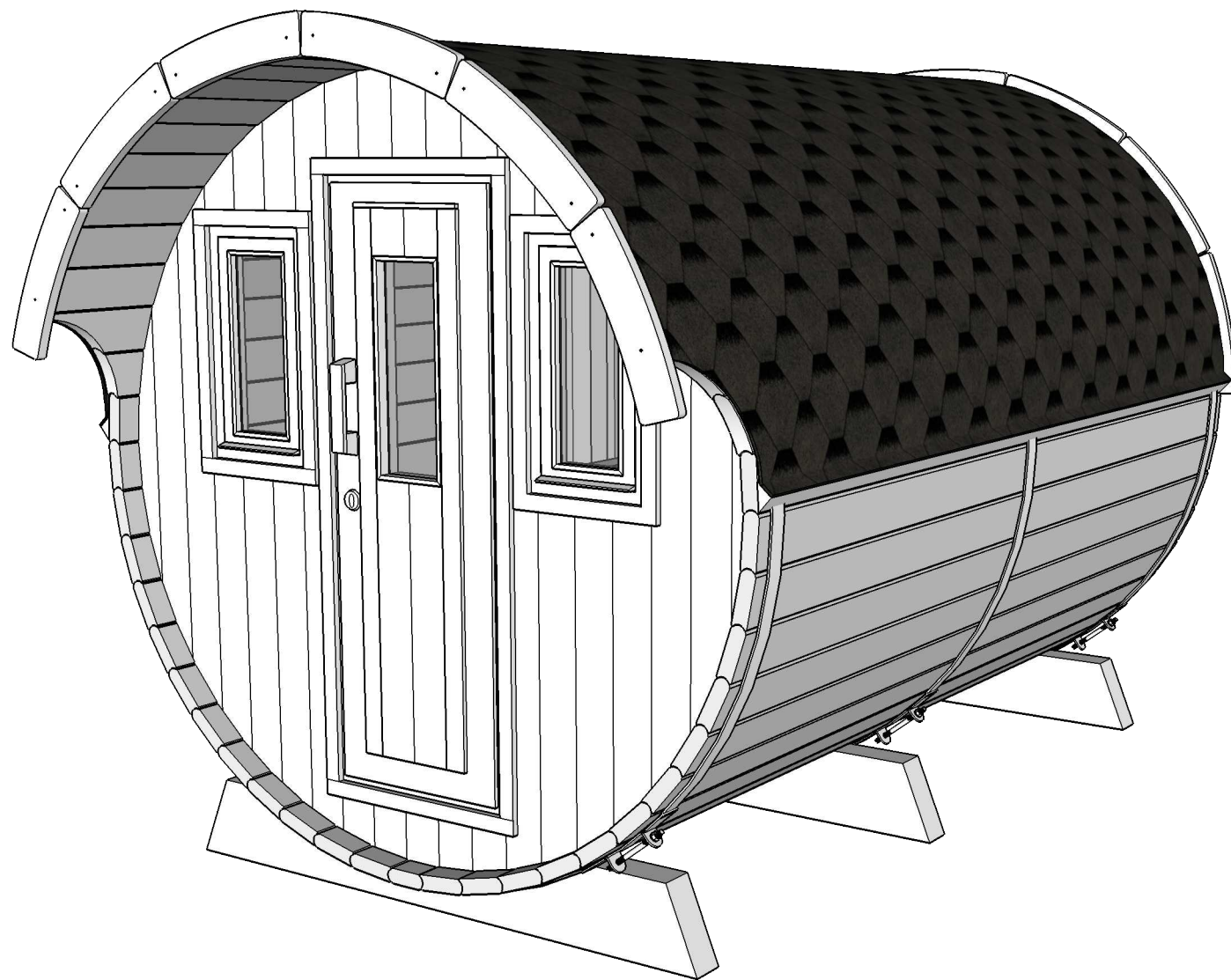
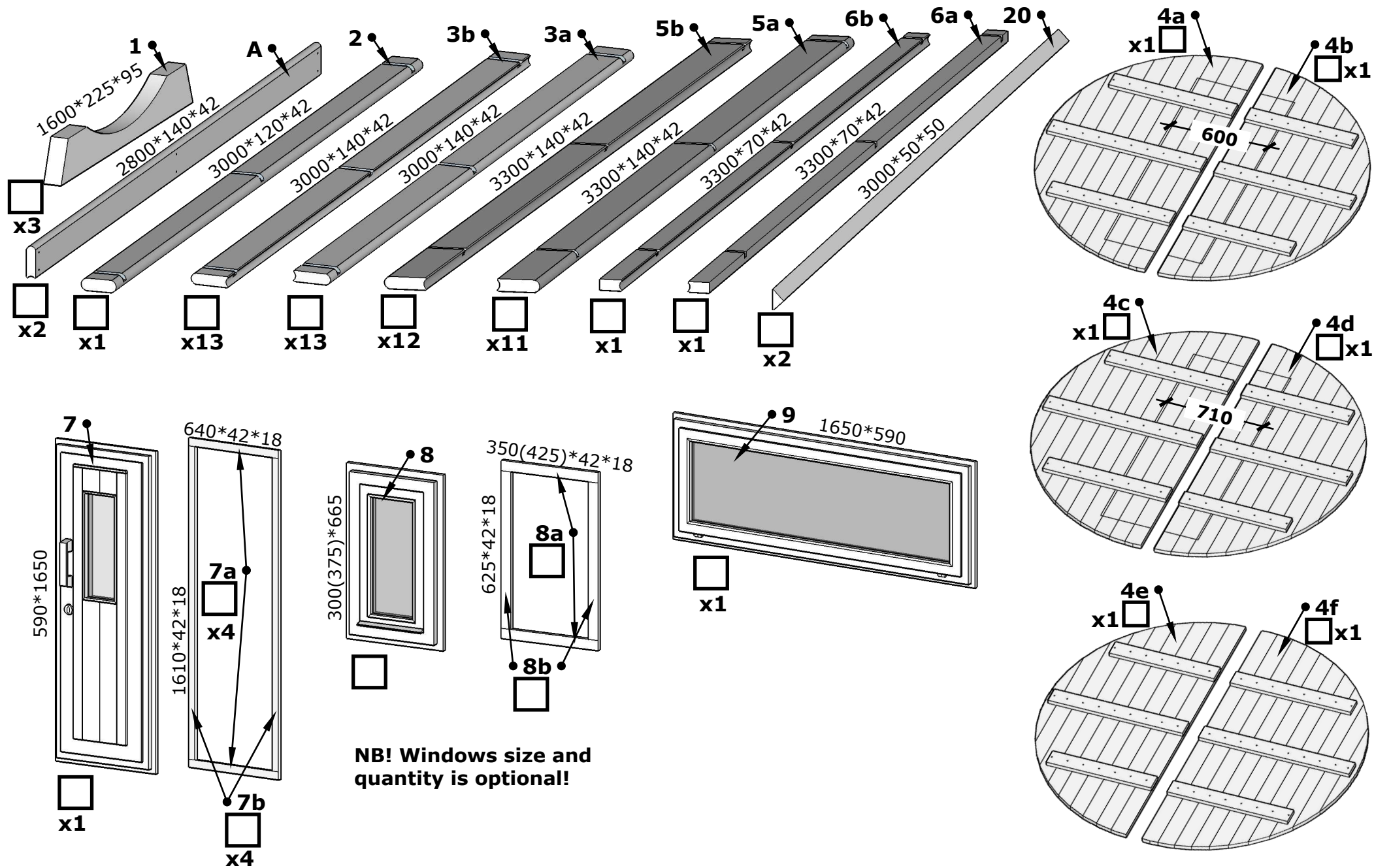


Camping Barrel 330, Ø210



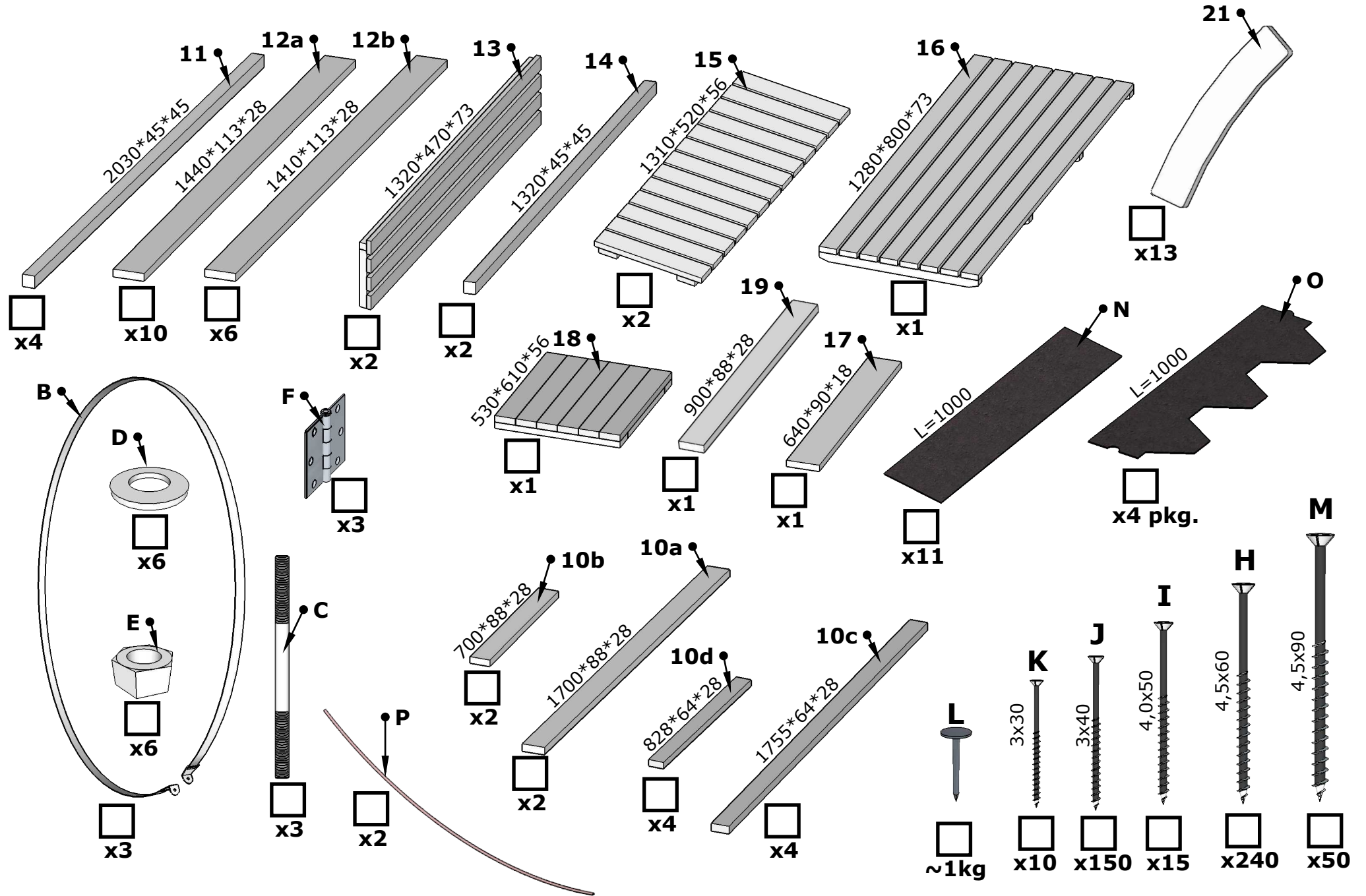
Camping Barrel 330, D 210

Details list nr.1



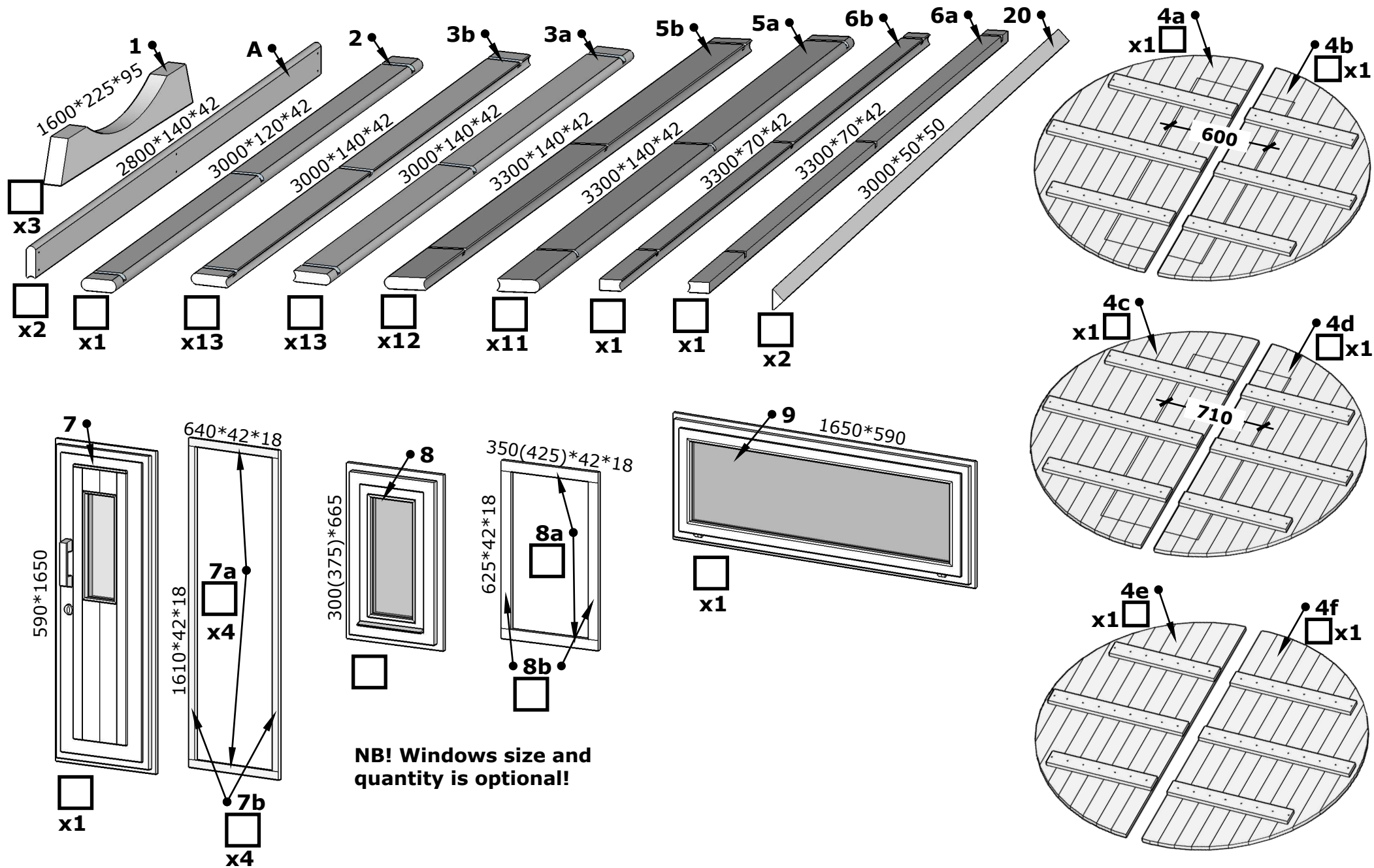
Camping Barrel 330, D 210

Details list nr.2



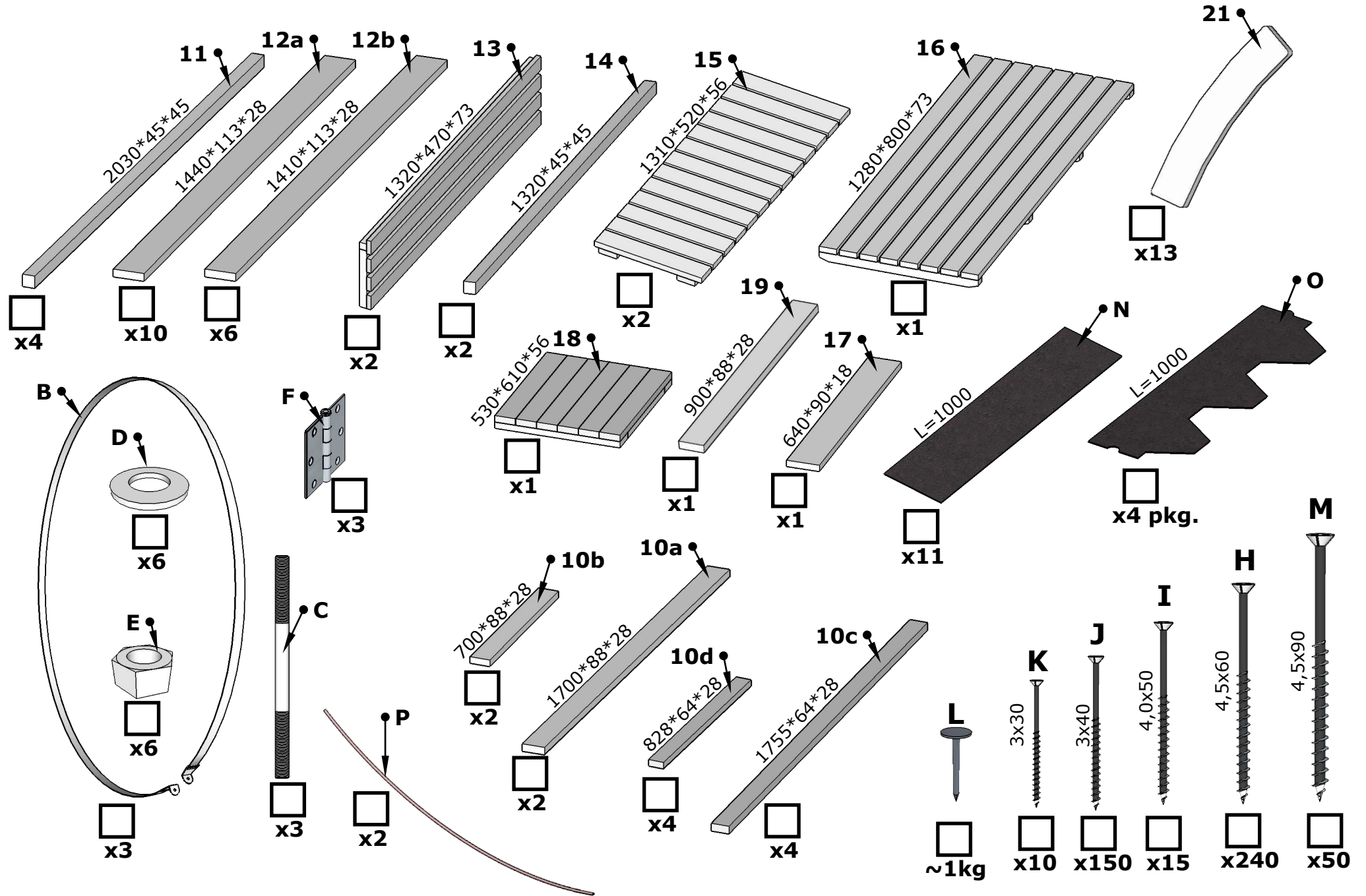
Camping Barrel 330, D 210

Details list nr.1

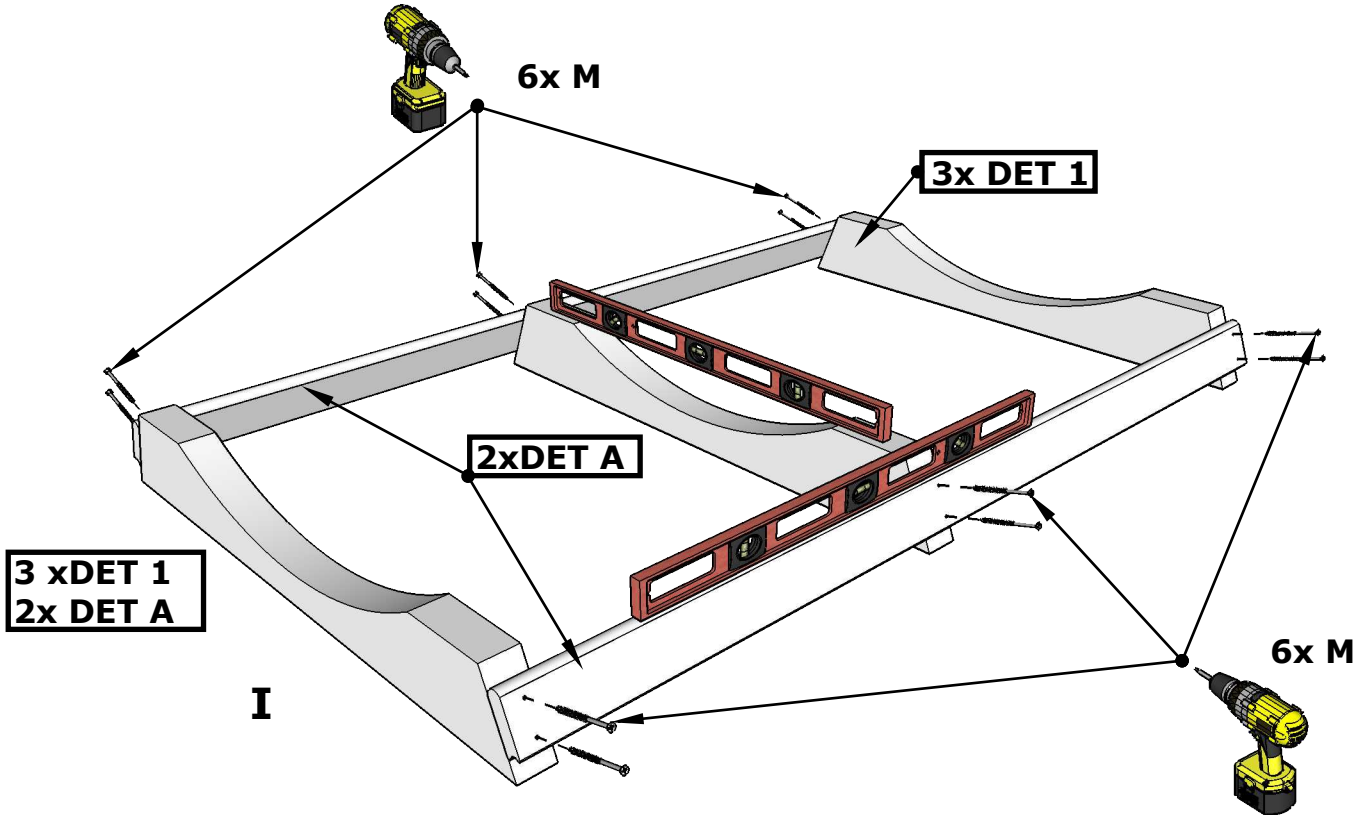
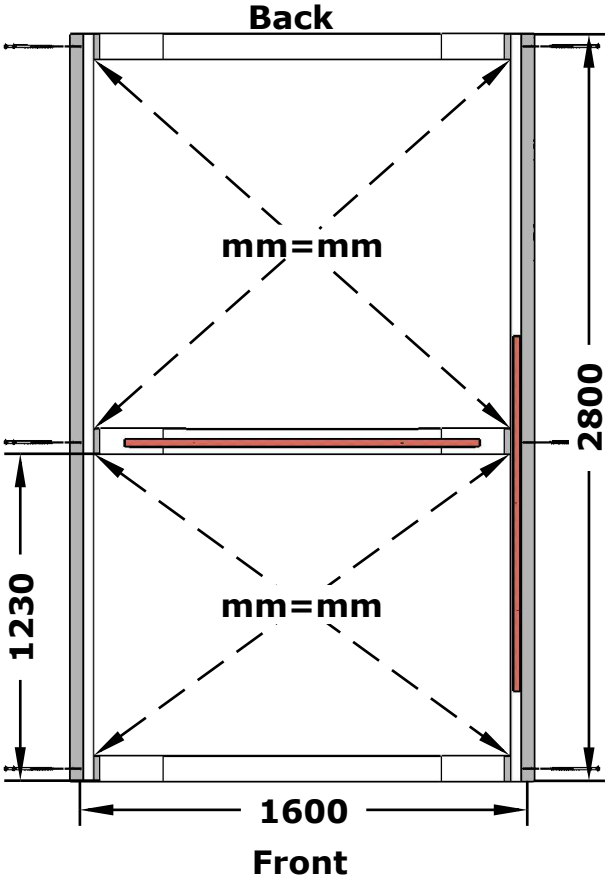


Camping Barrel 330, D 210

Details list nr.2



Camping 330, Ø210

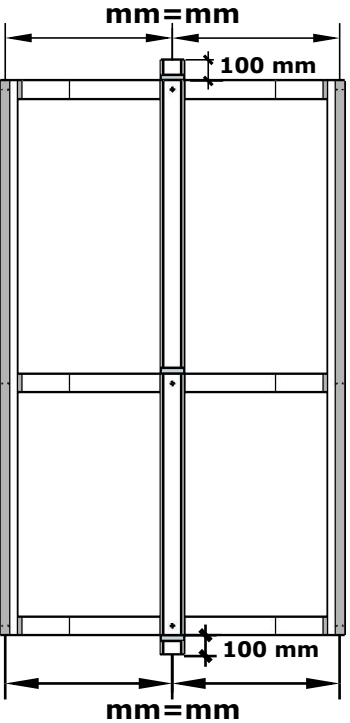
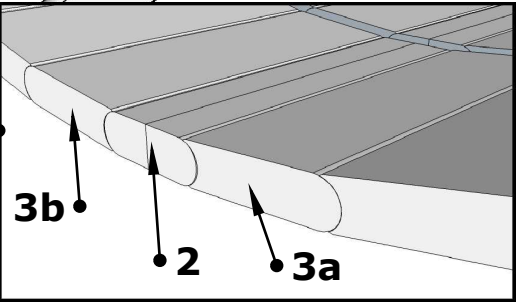
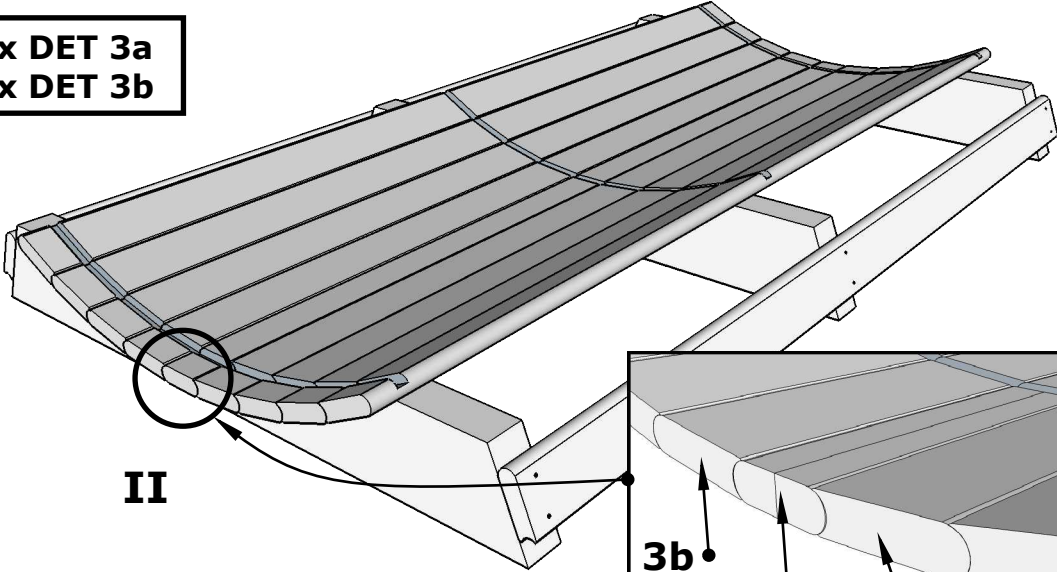


1.

Camping 330, Ø210



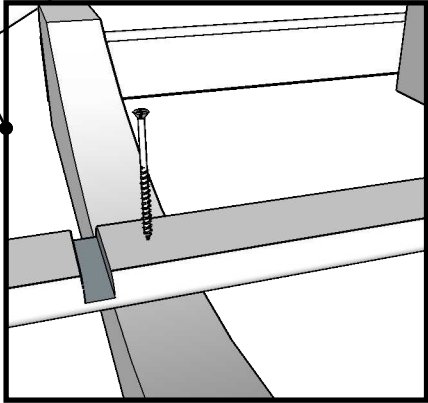
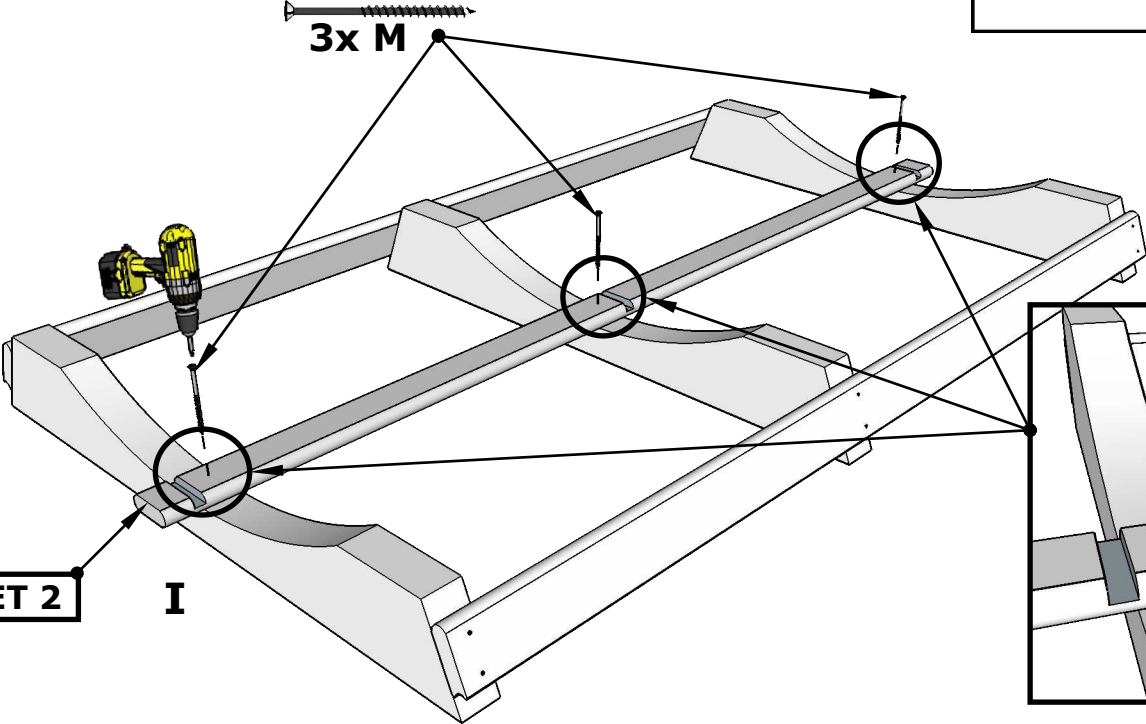
4 x DET 3a
4 x DET 3b



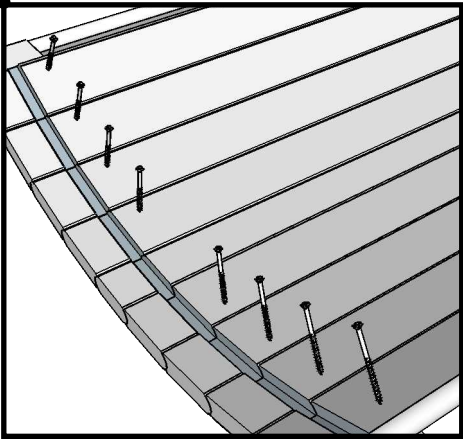
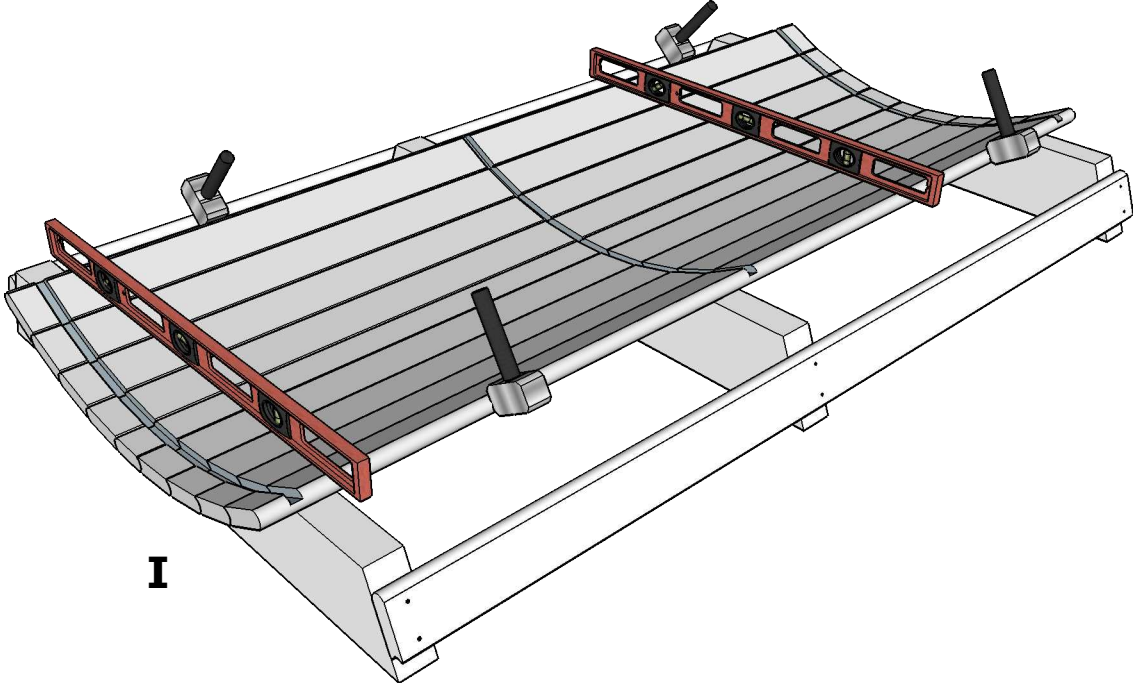
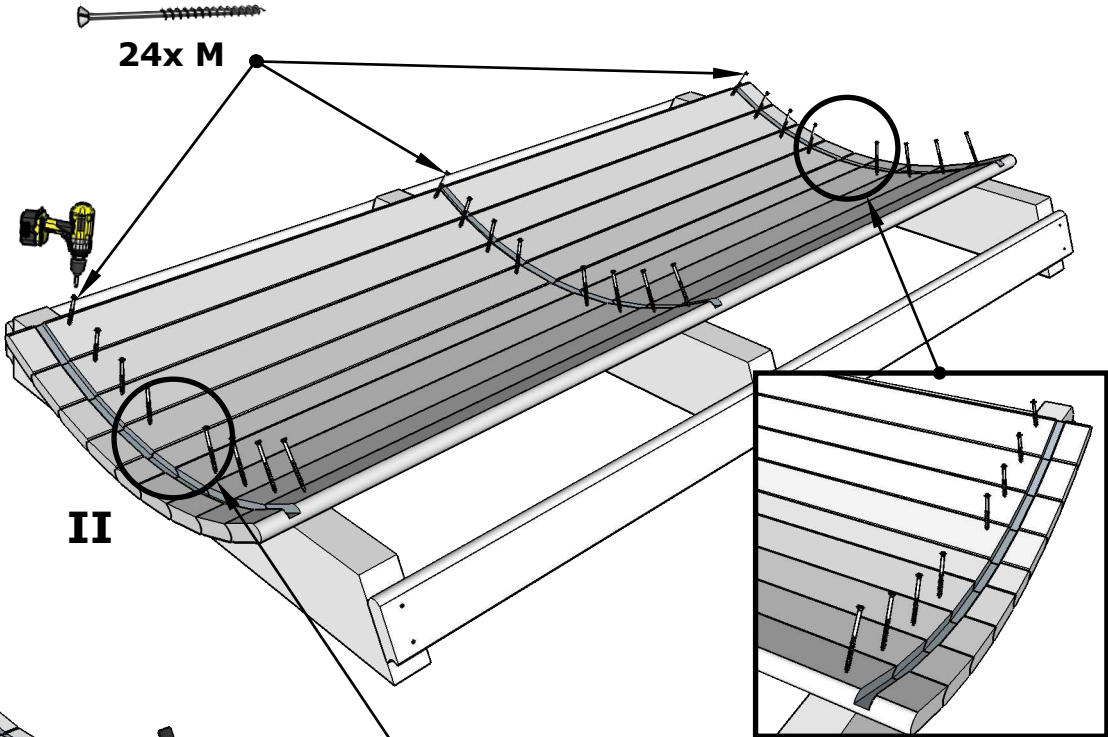
1xDET 2

I

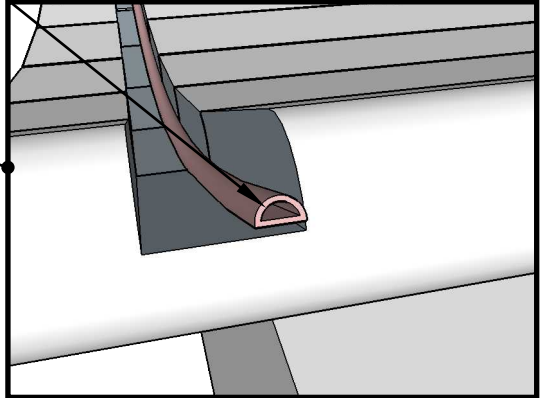
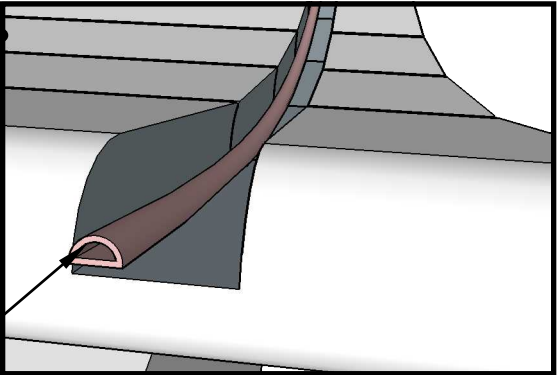
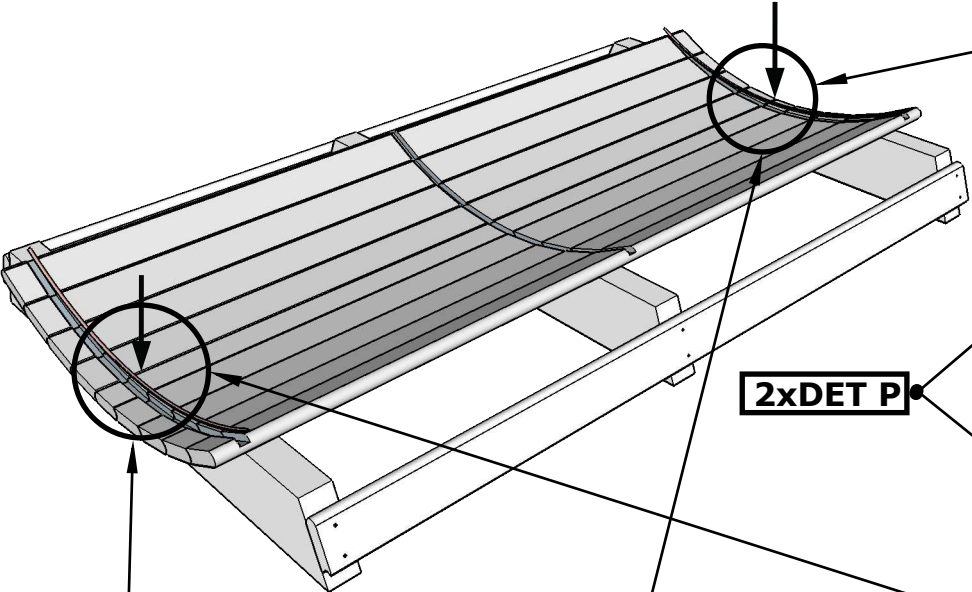
3x M



Camping 330, Ø210

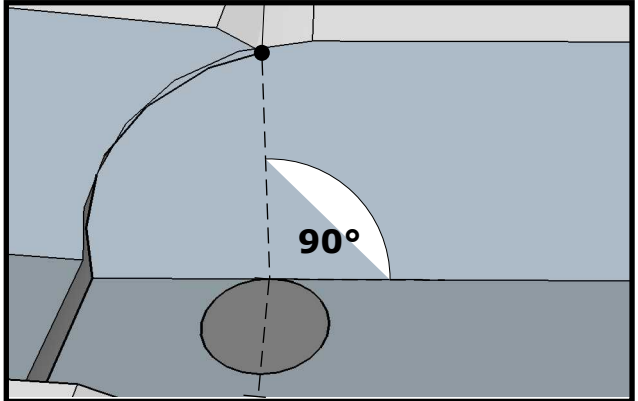
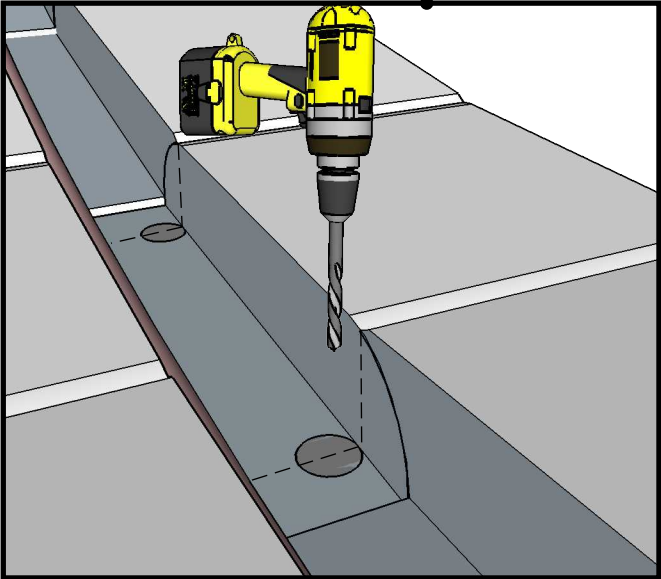
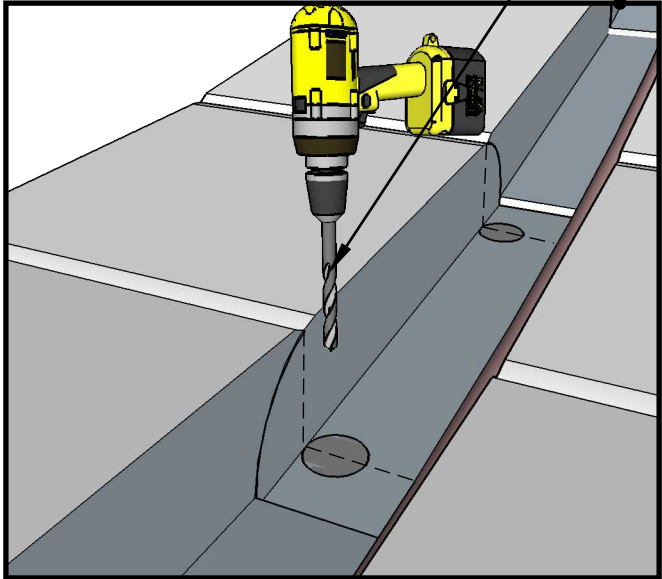


Camping 330, Ø210

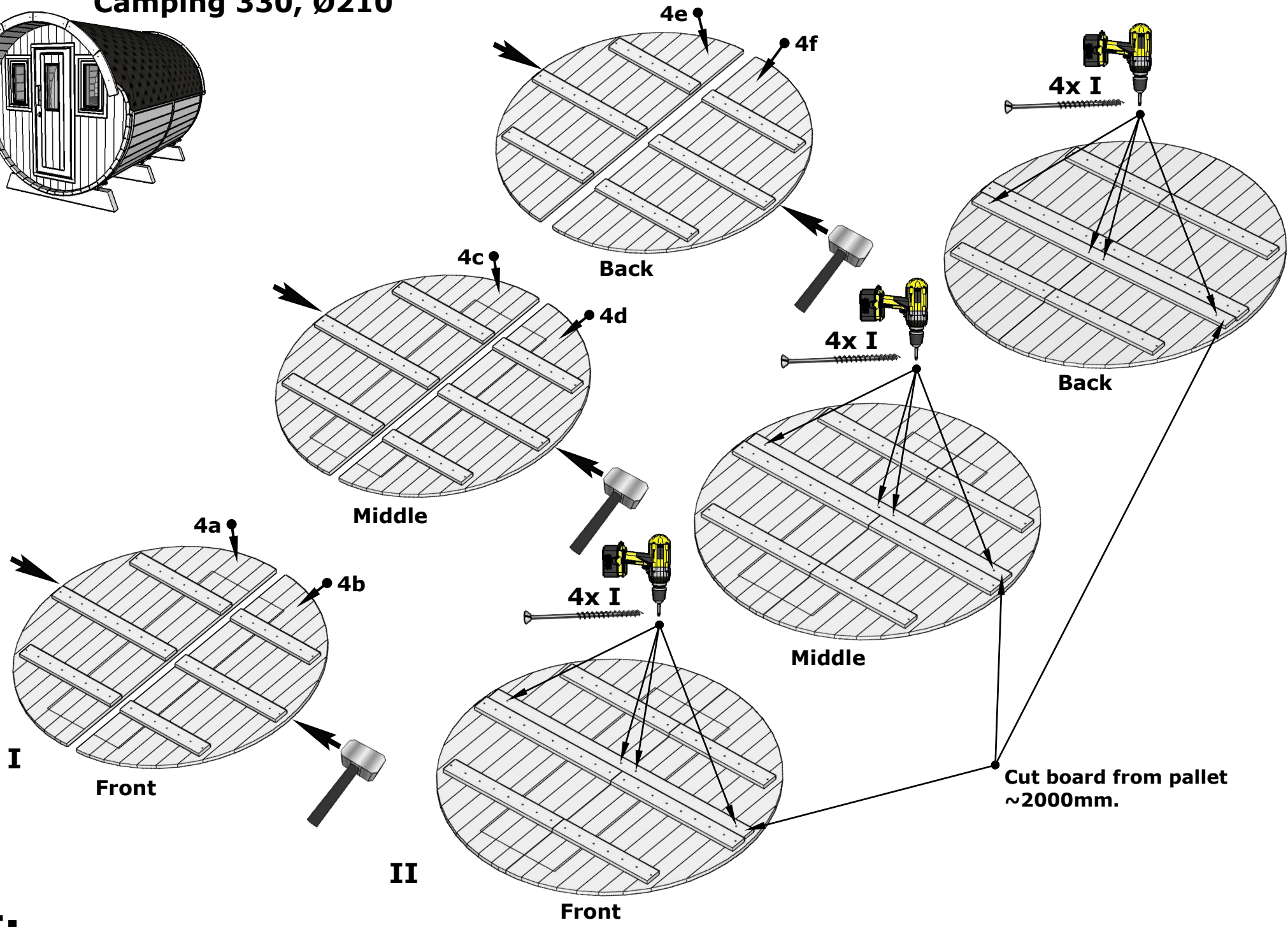


Drill 4 holes
in DET 2 Ø10 mm

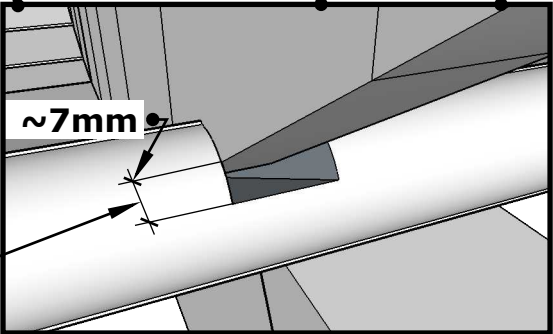
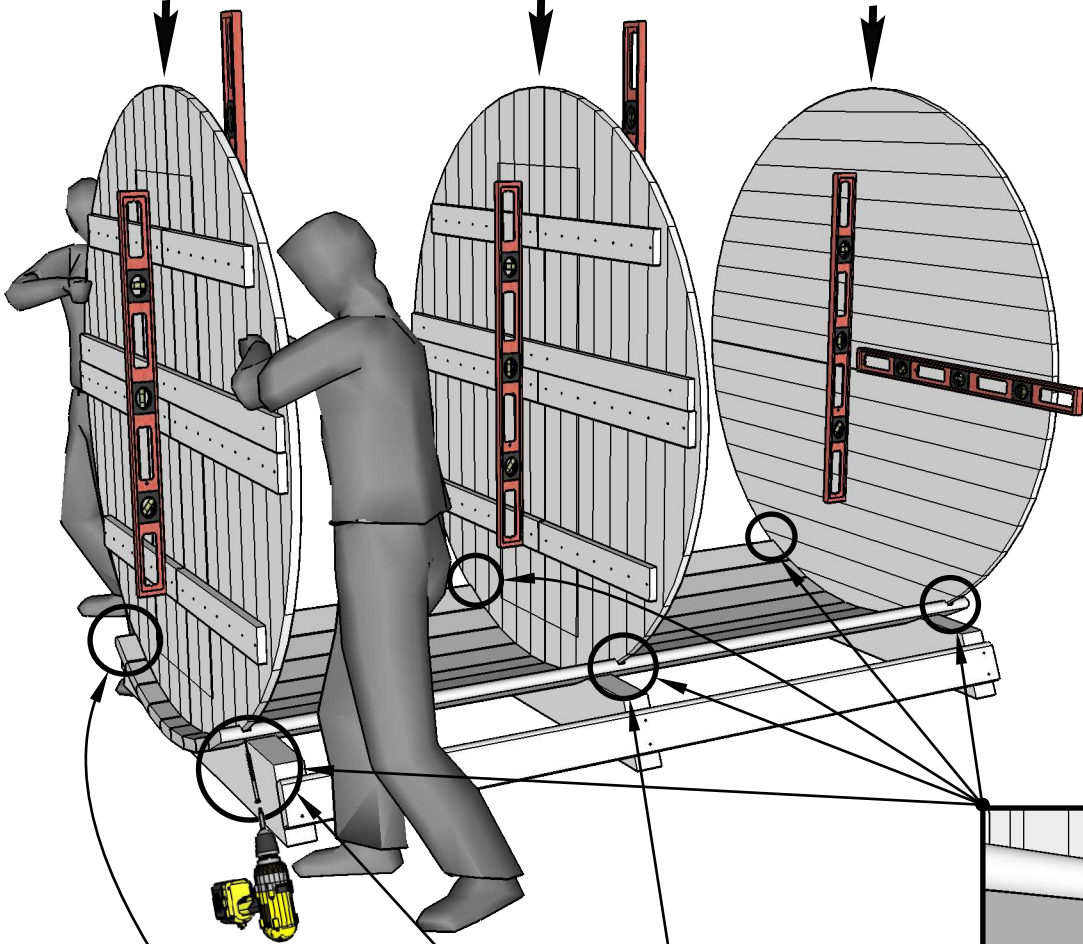
2xDET P



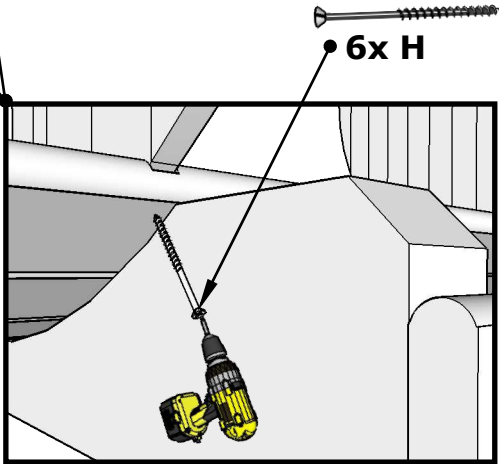
Camping 330, Ø210



Camping 330, Ø210



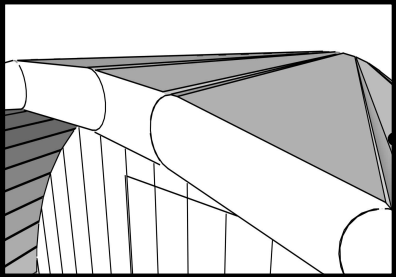
NB! Don't leave space if using thermo wood



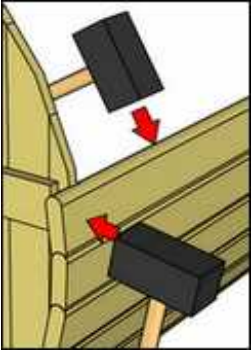
Camping 330, Ø210



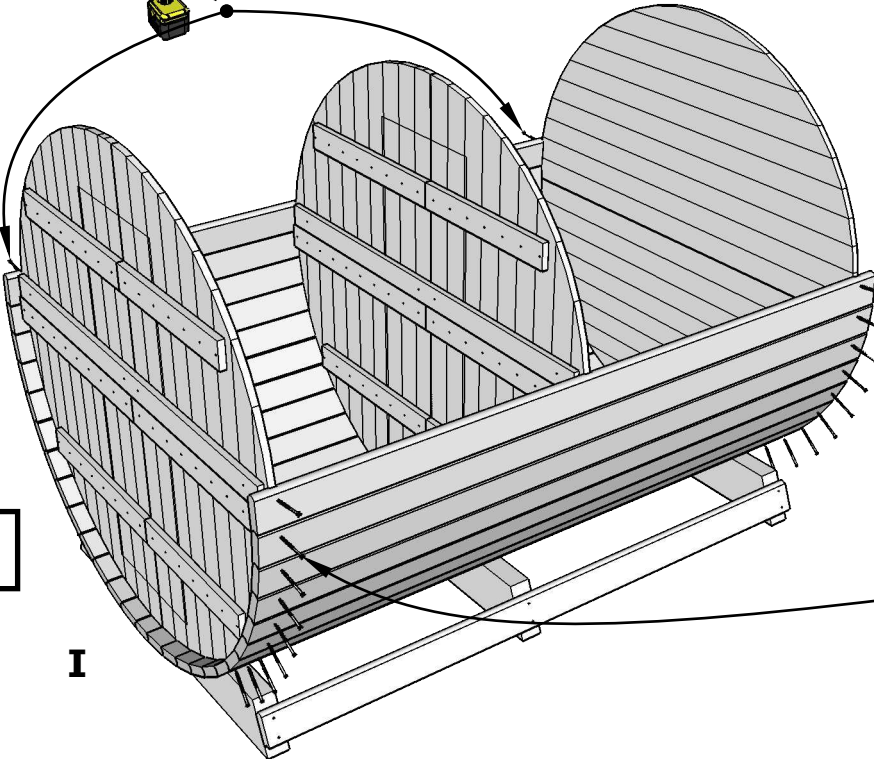
Watch Page 6A



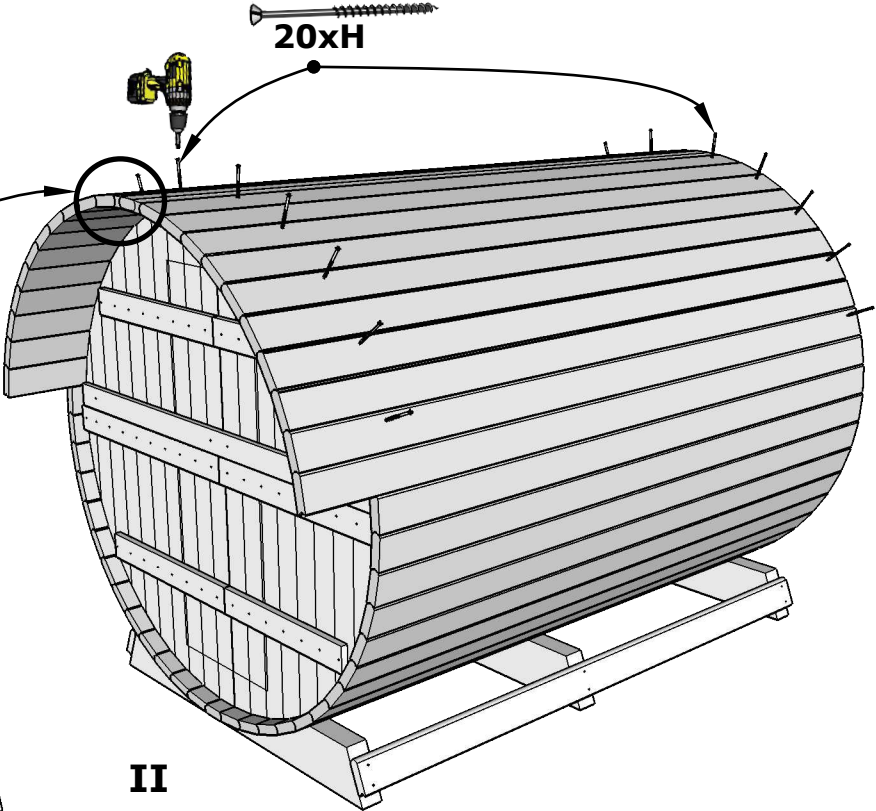
12x DET 5b
11x DET 5a



9x DET 3a
9x DET 3b

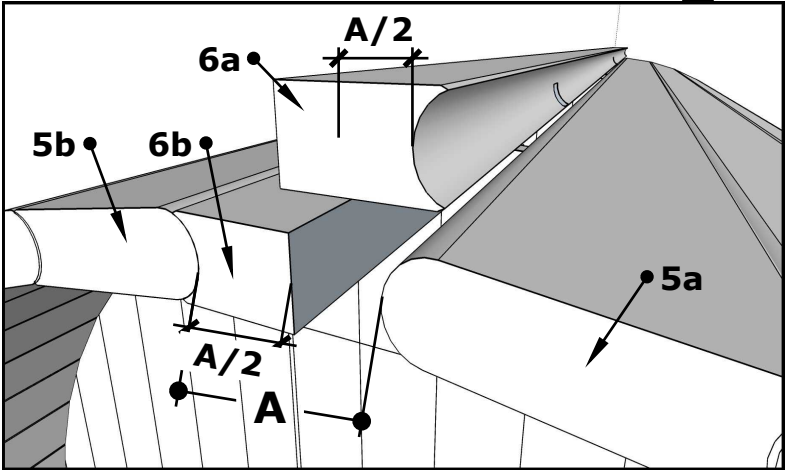
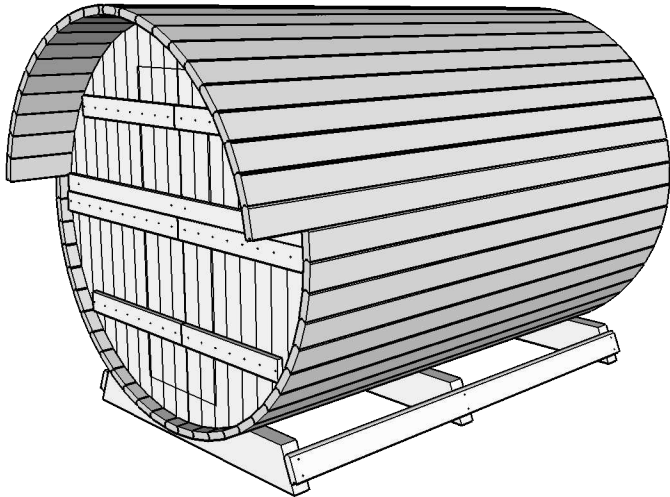
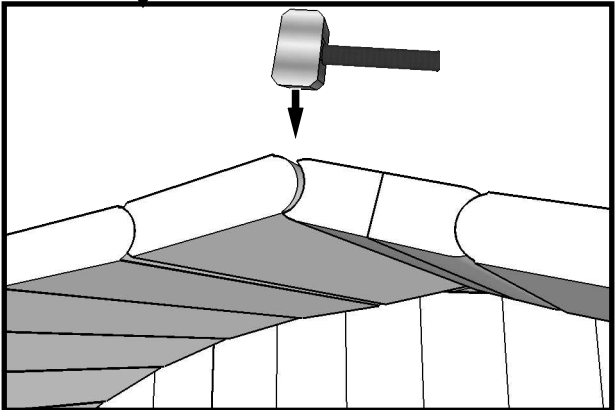
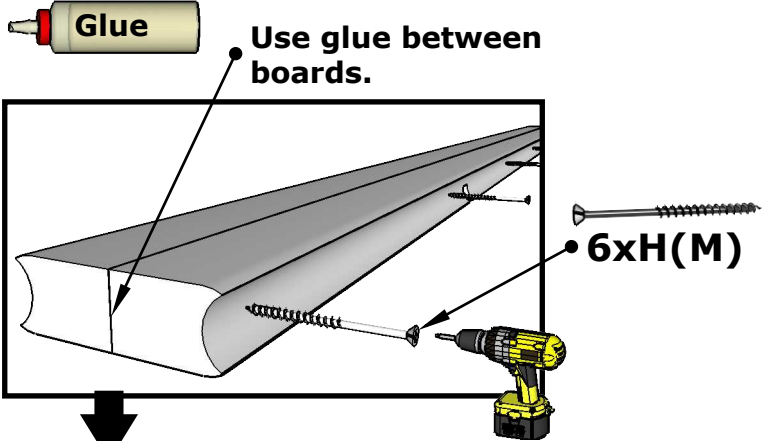
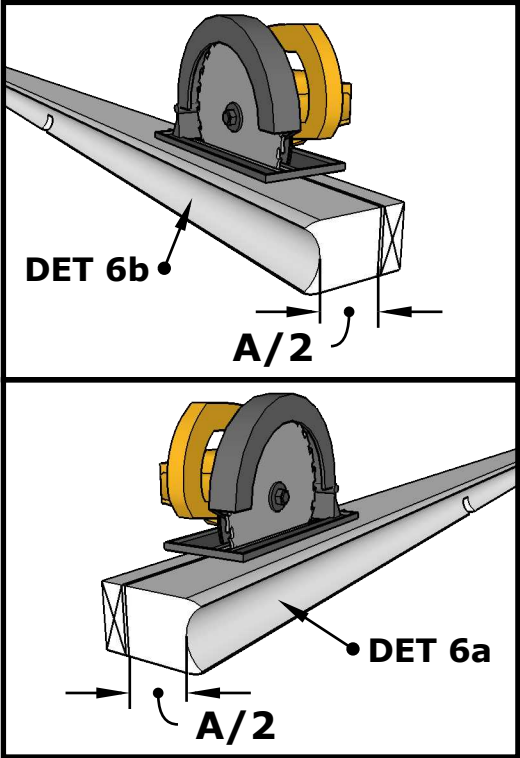


I



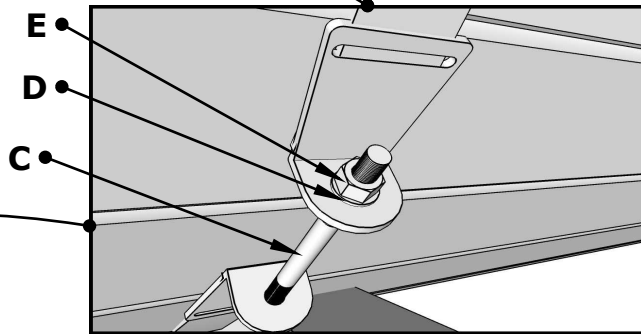
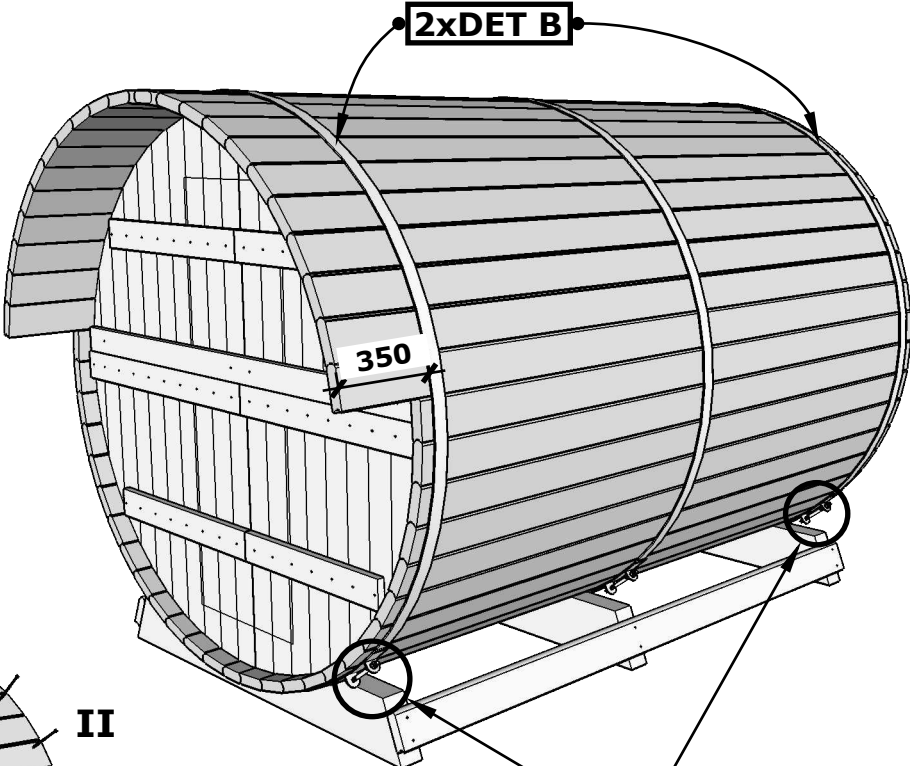
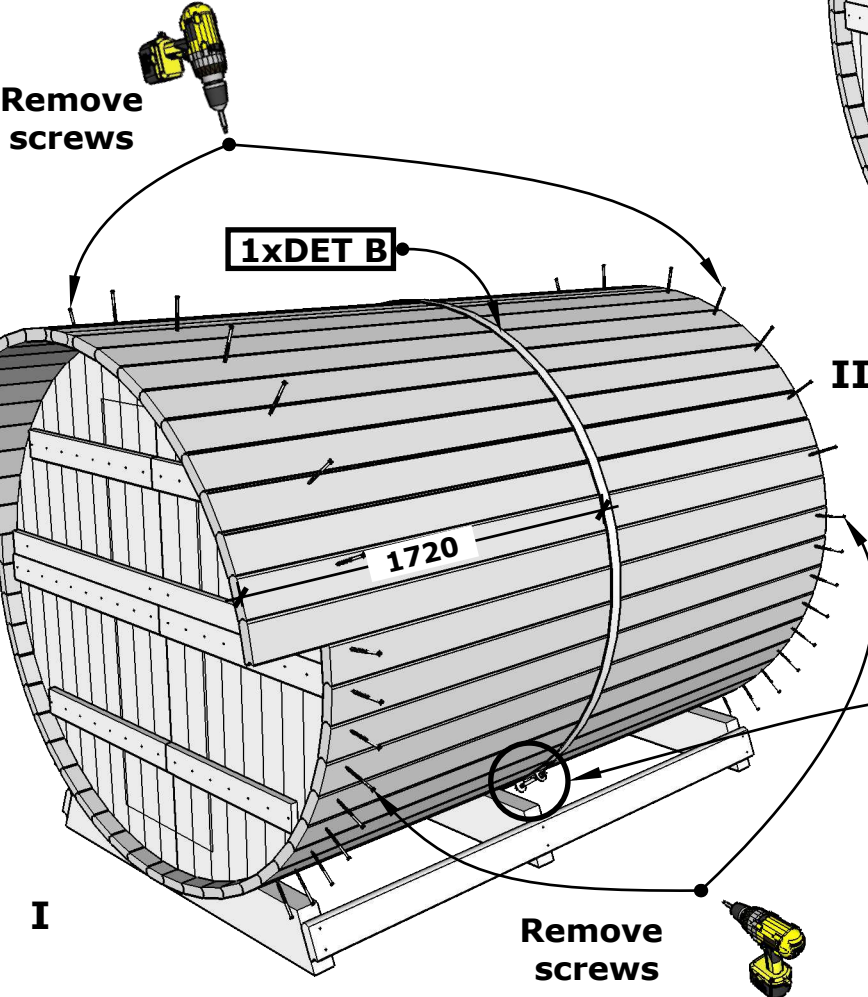
II

Camping 330, Ø210

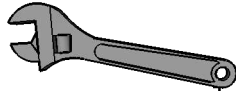


6A.

Camping 330, Ø210



NB! Don't remove screws, if using thermo wood!

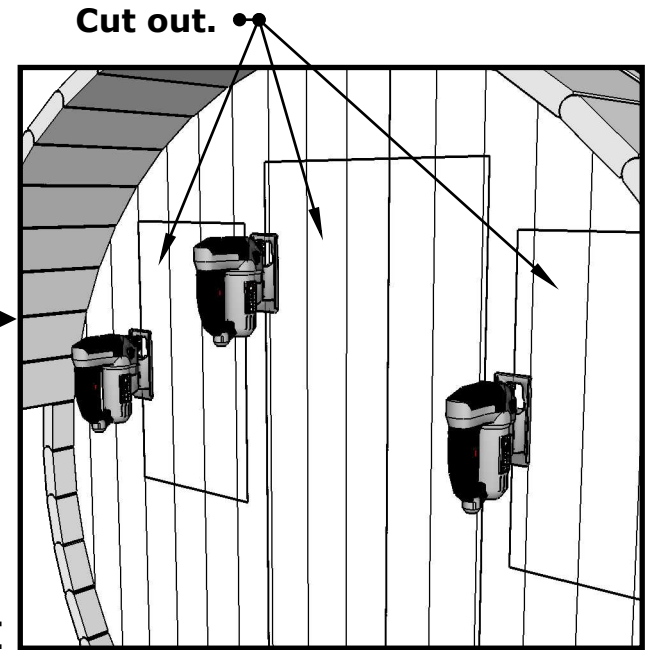
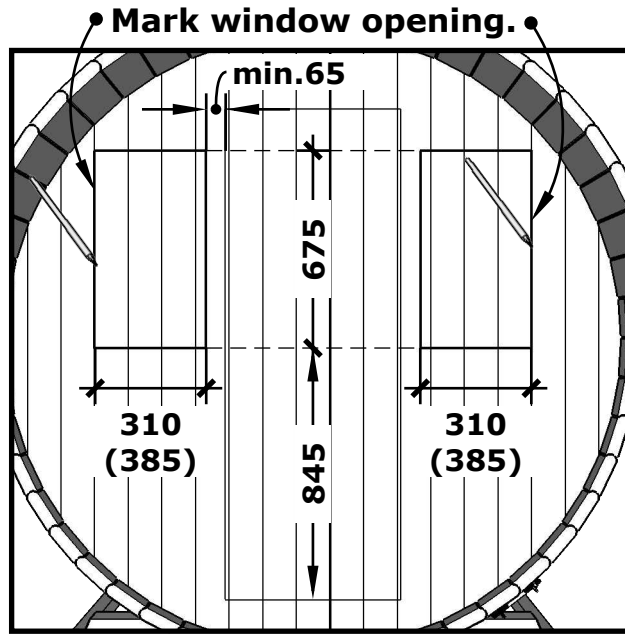


Camping 330, Ø210

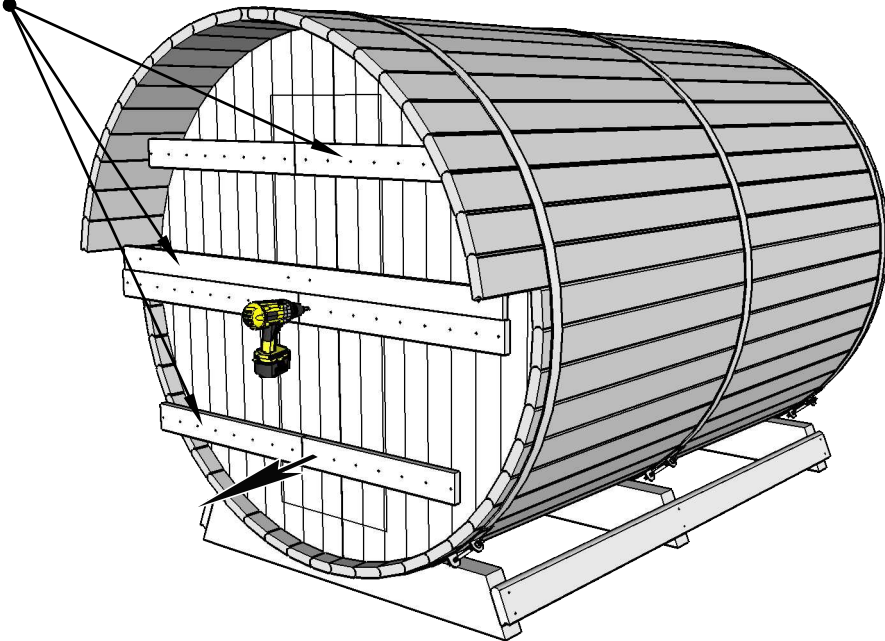


NB! Window size depending on your model.

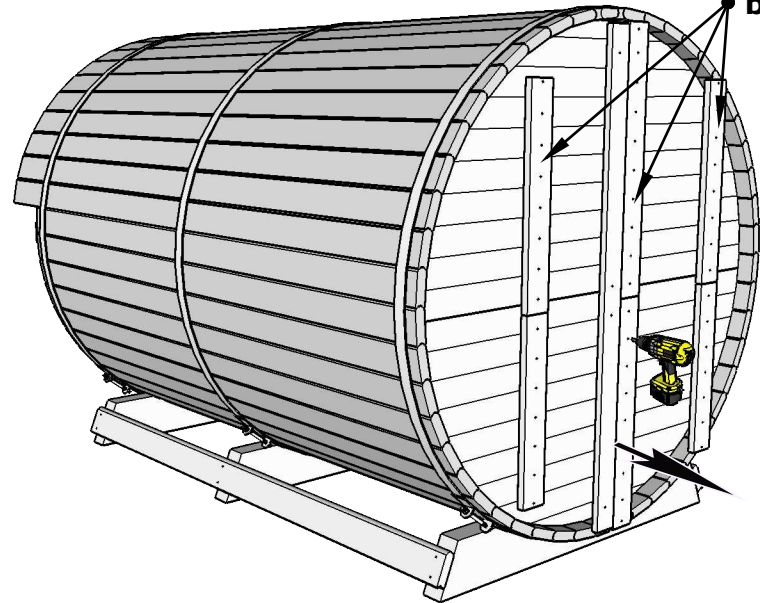
NB! Use waterlevel.



Remove all brackets



Remove all brackets



I

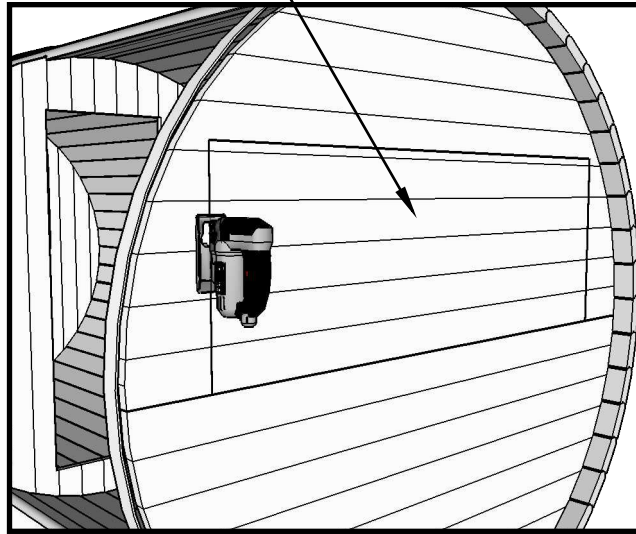
Camping 330, Ø210



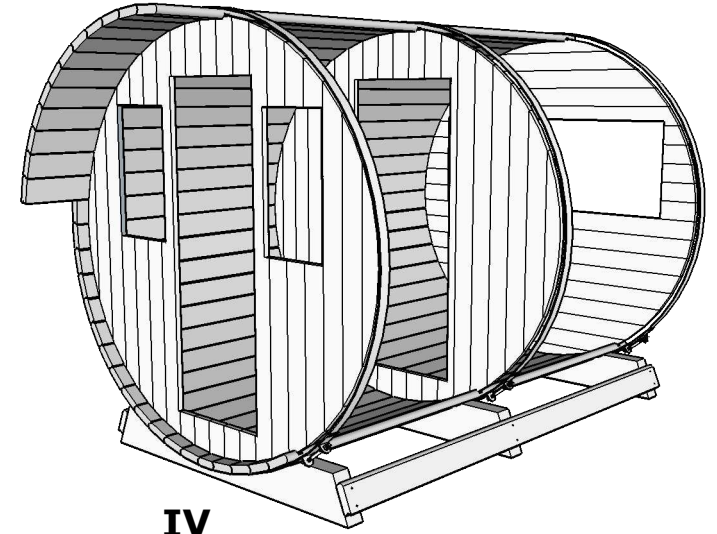
NB! Use waterlevel.



Cut out.

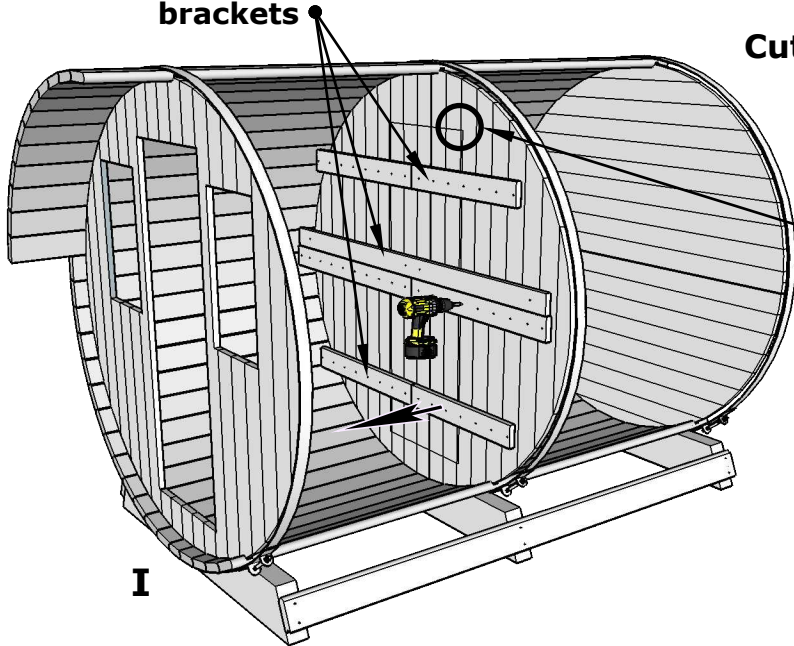


III



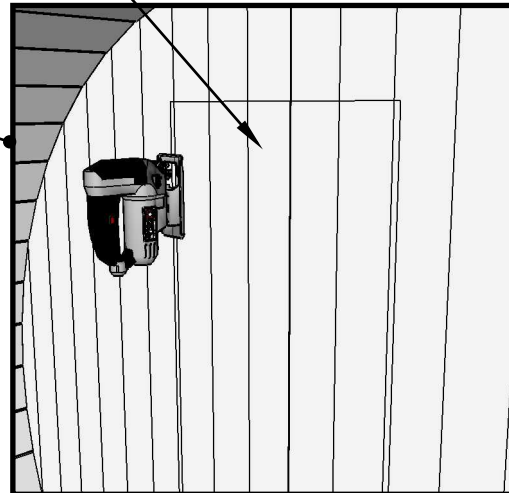
IV

Remove all brackets

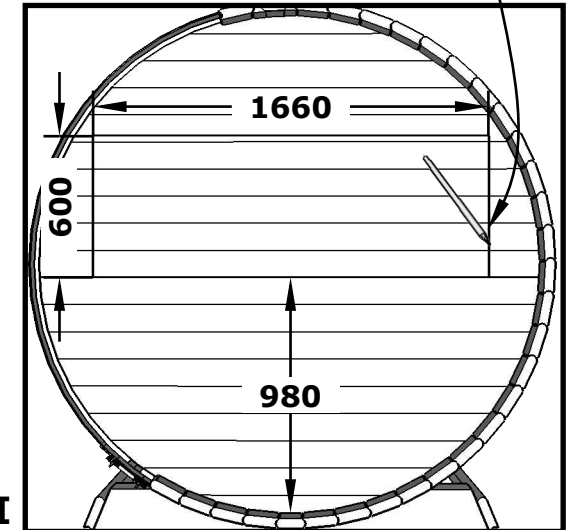


I

Cut out.



Mark window opening.



II

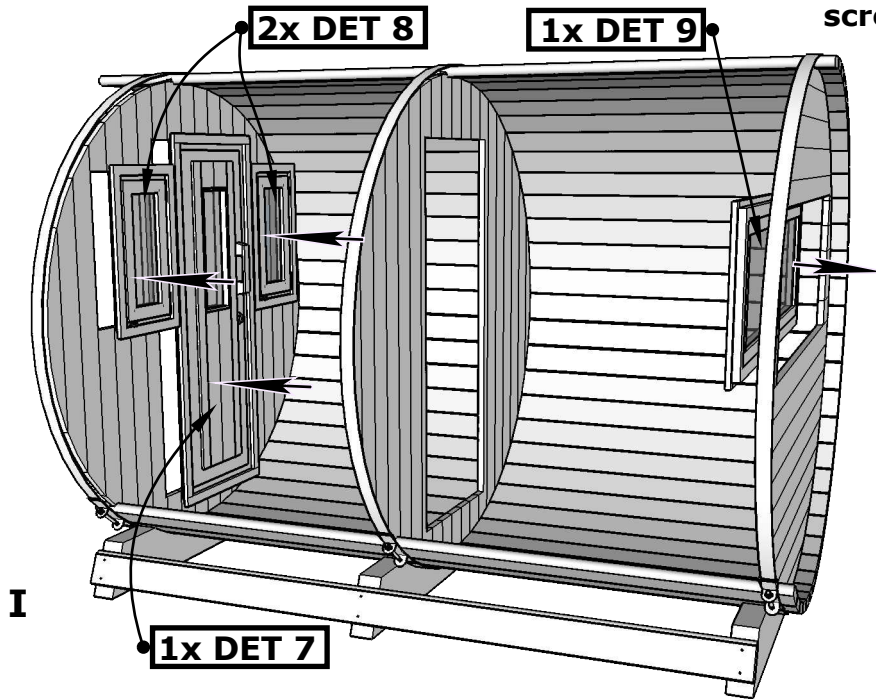
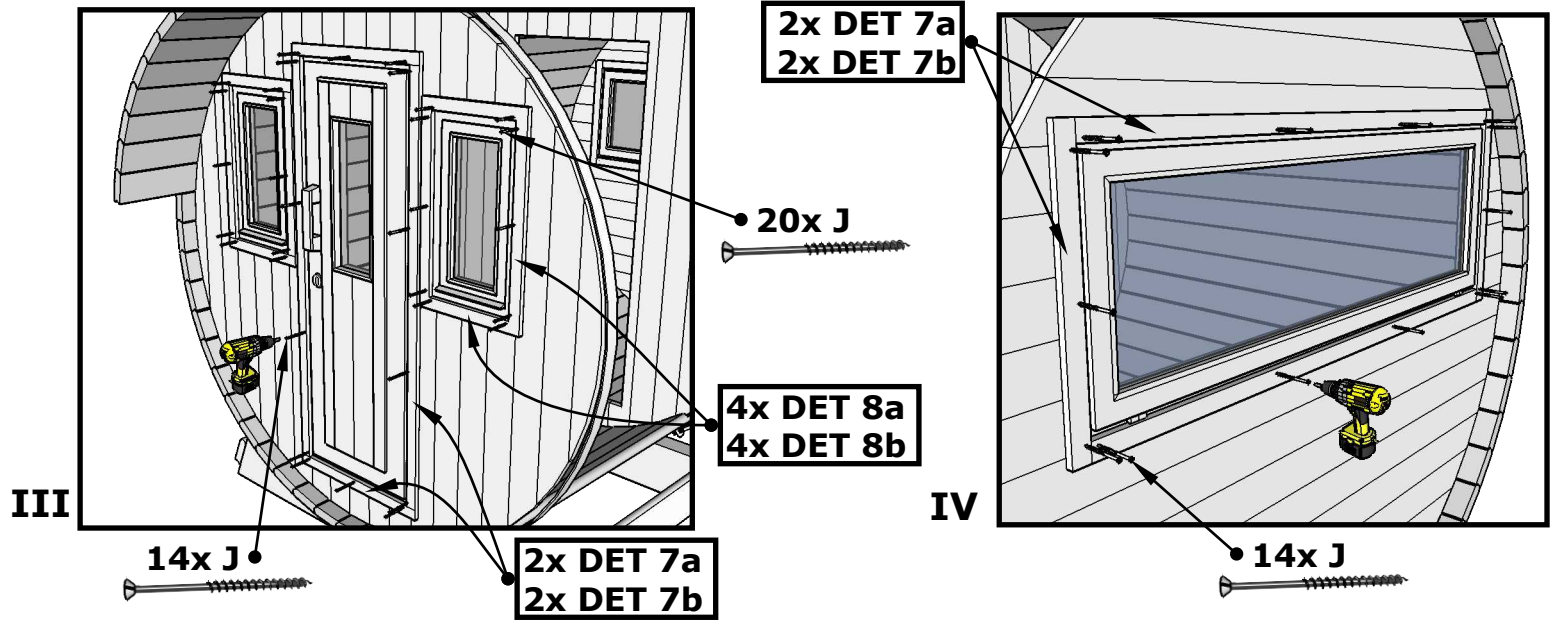
Camping 330, Ø210



NB! Use waterlevel for door and window install.

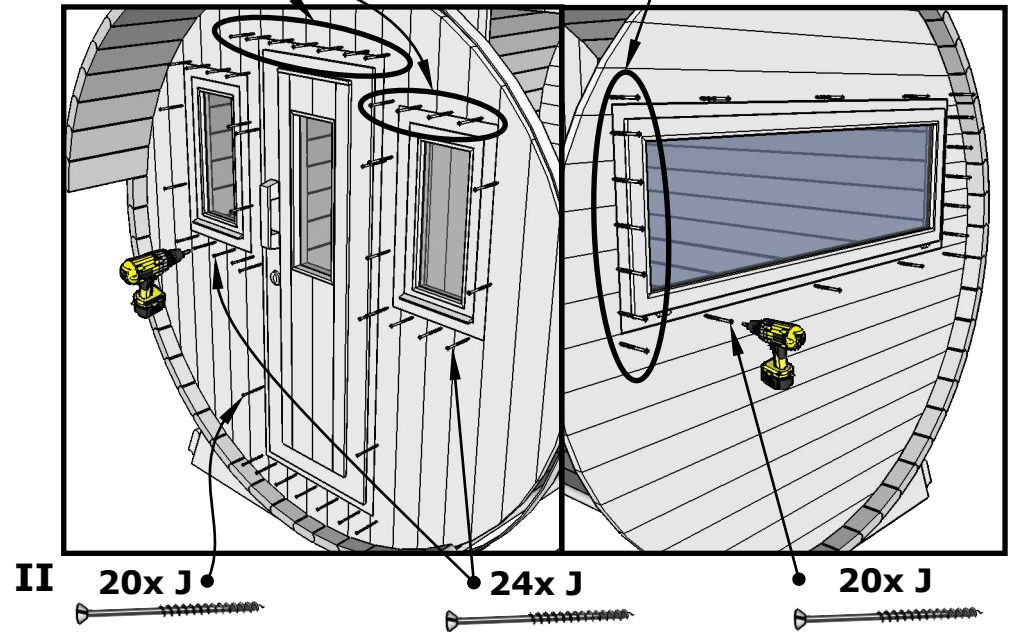


NB! Place door and windows from inside.

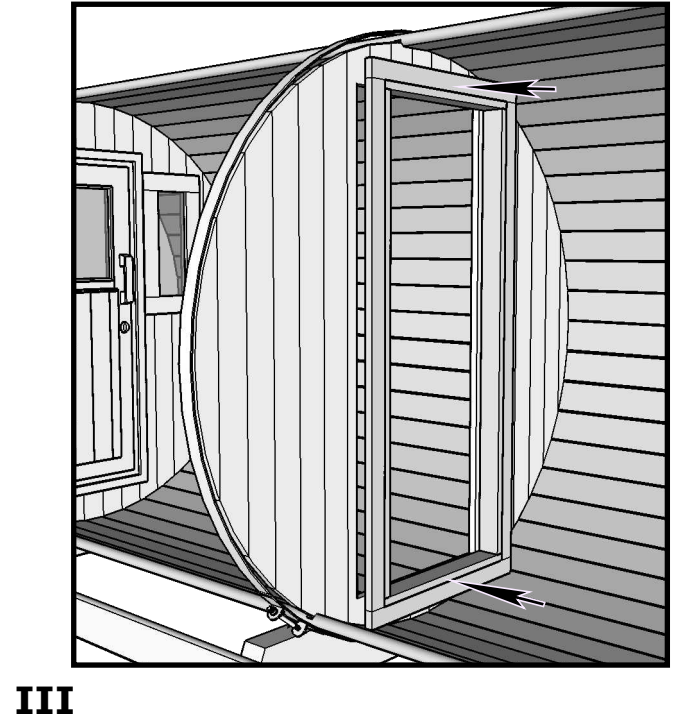
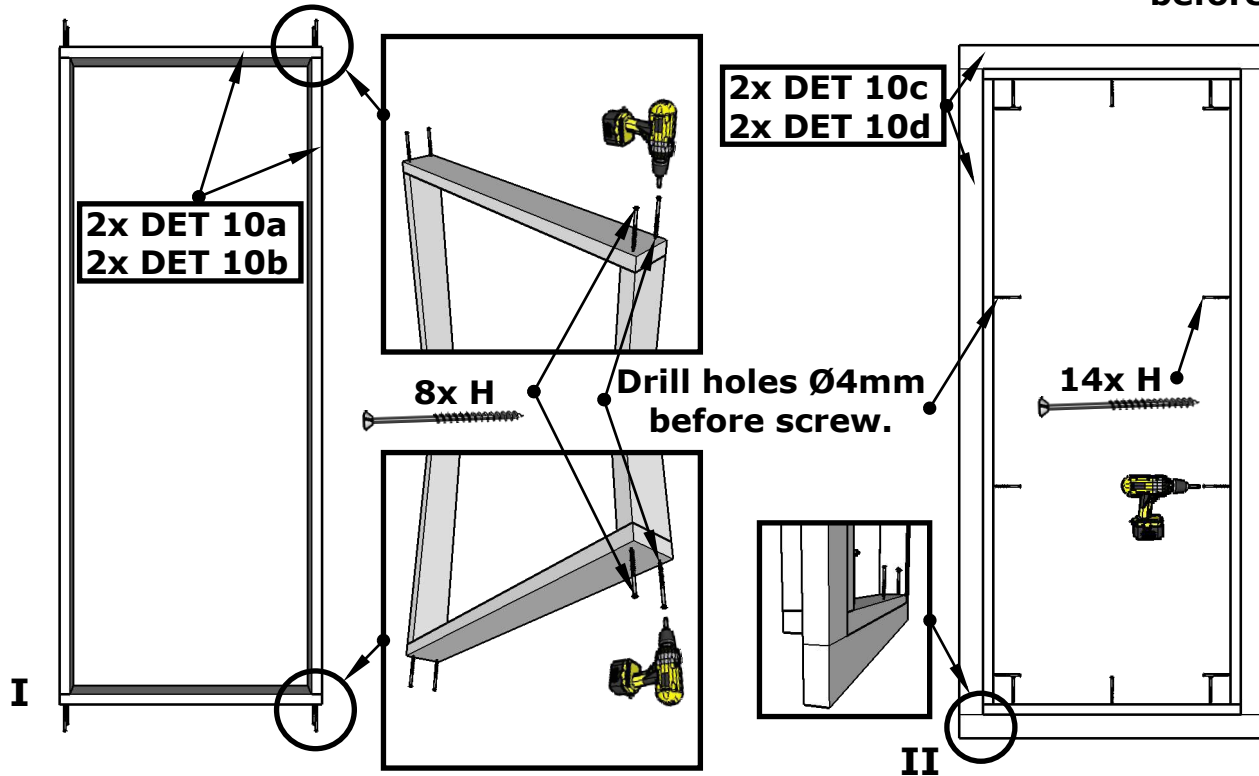
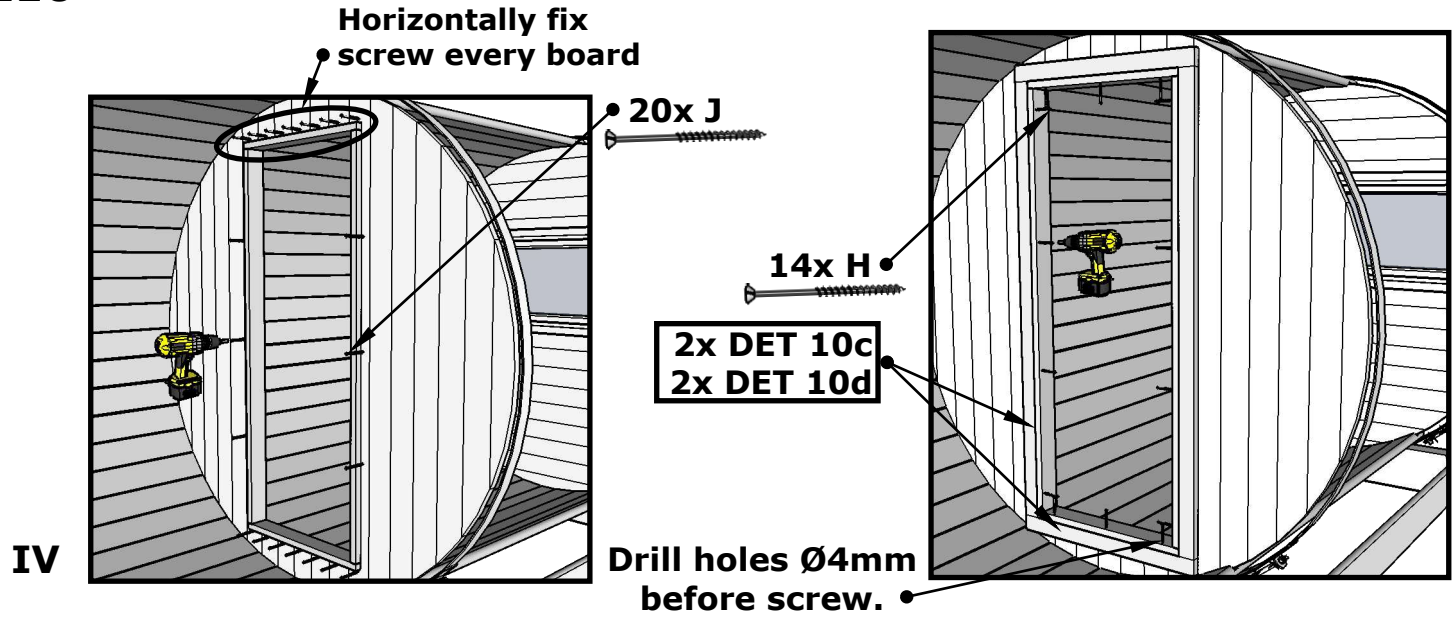


Horizontally fix screw in every board

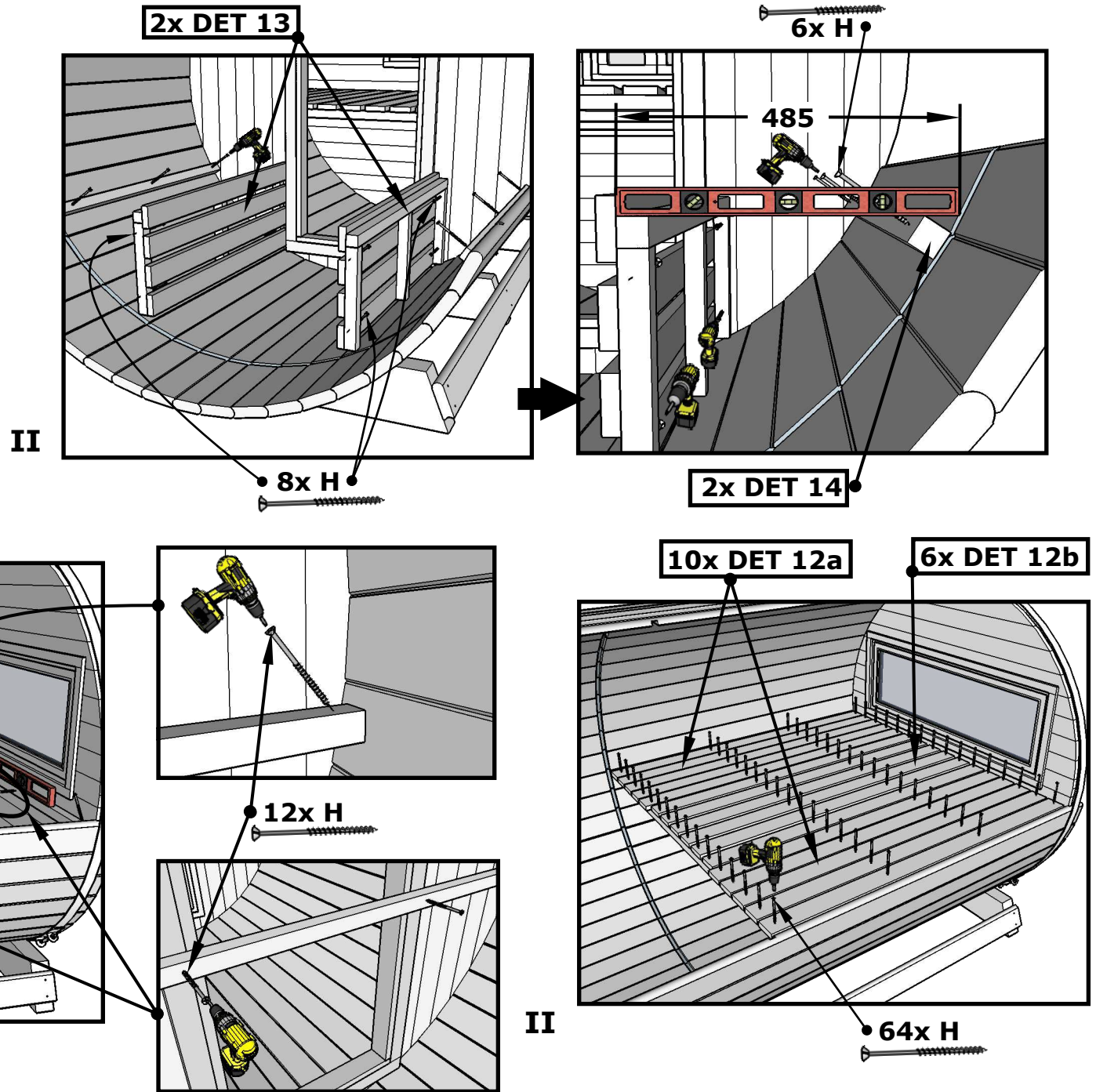
Vertically fix screw in every board



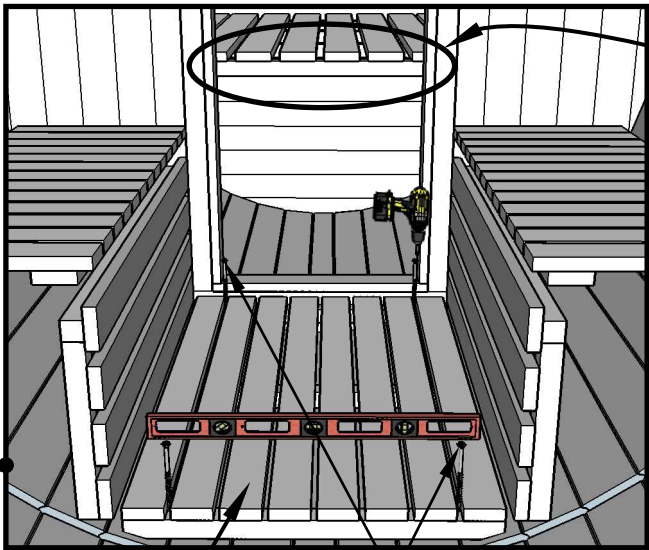
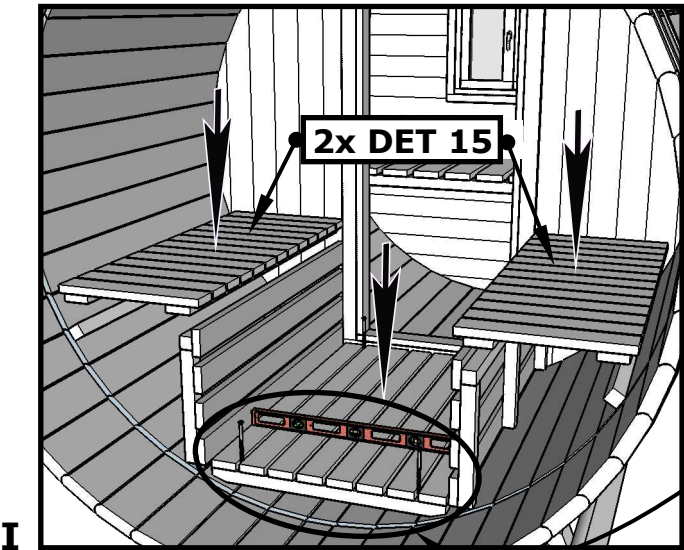
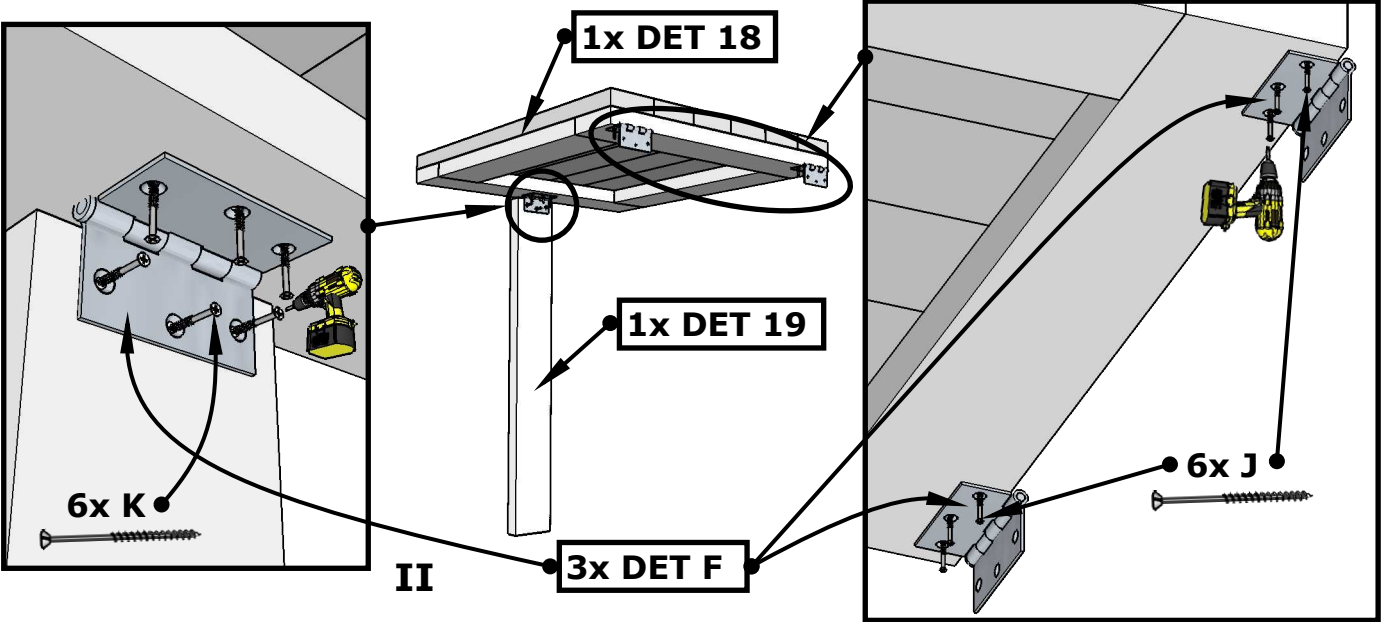
Camping 330, Ø210



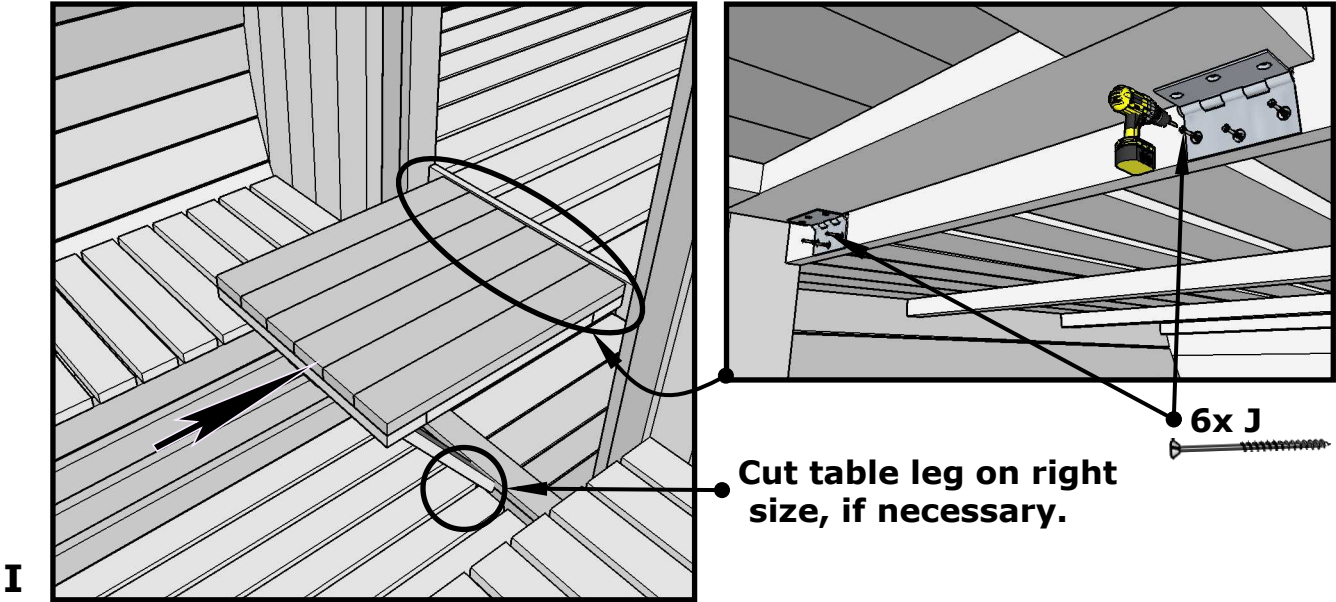
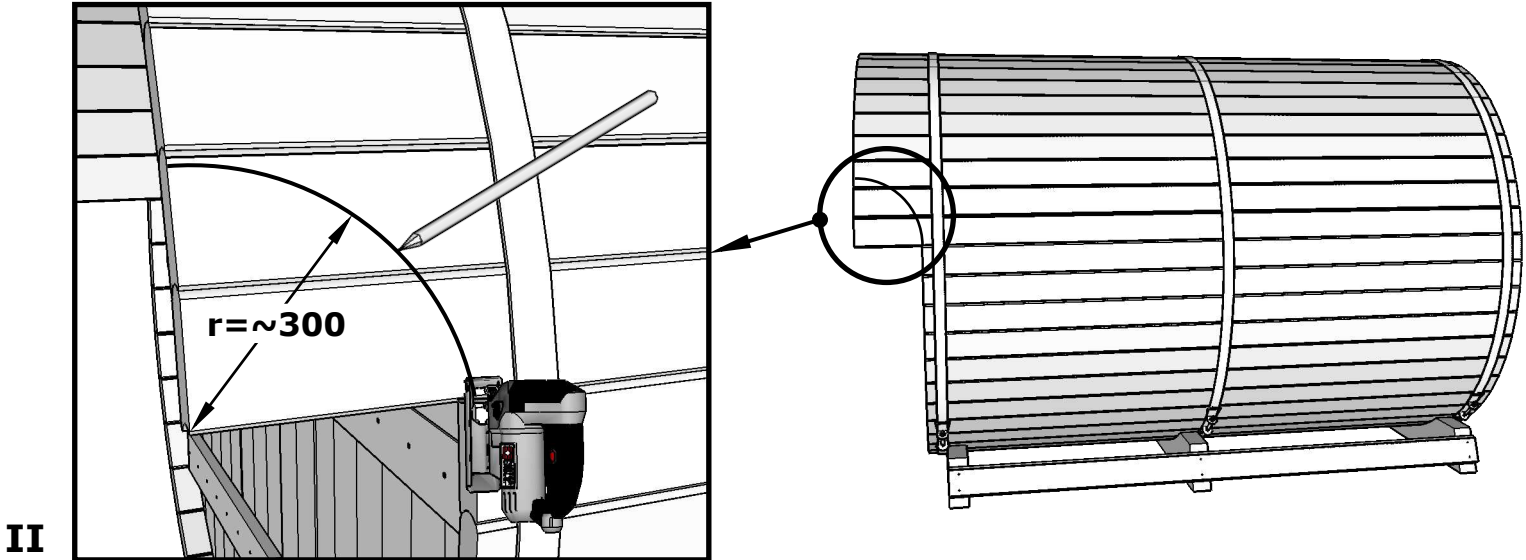
Camping 330, Ø210



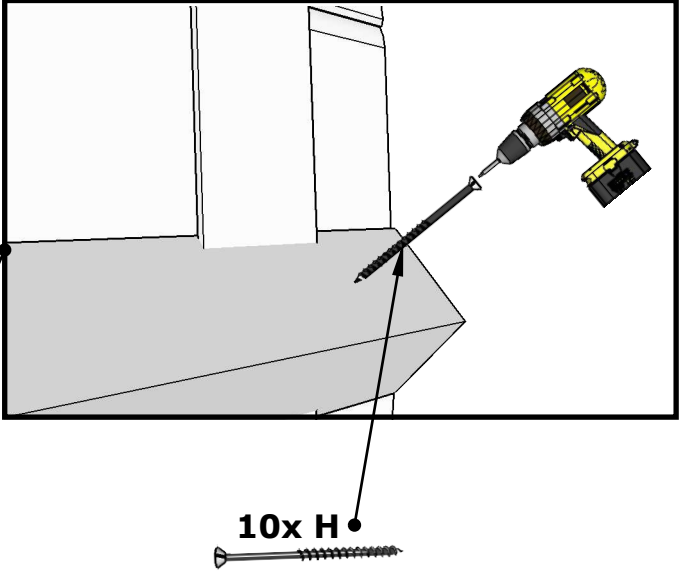
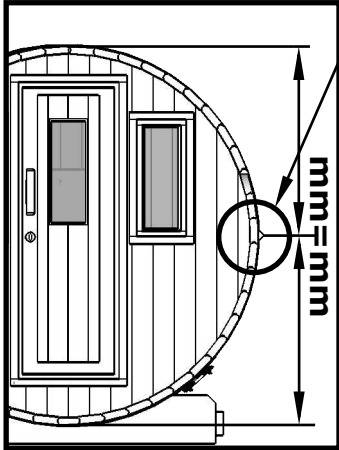
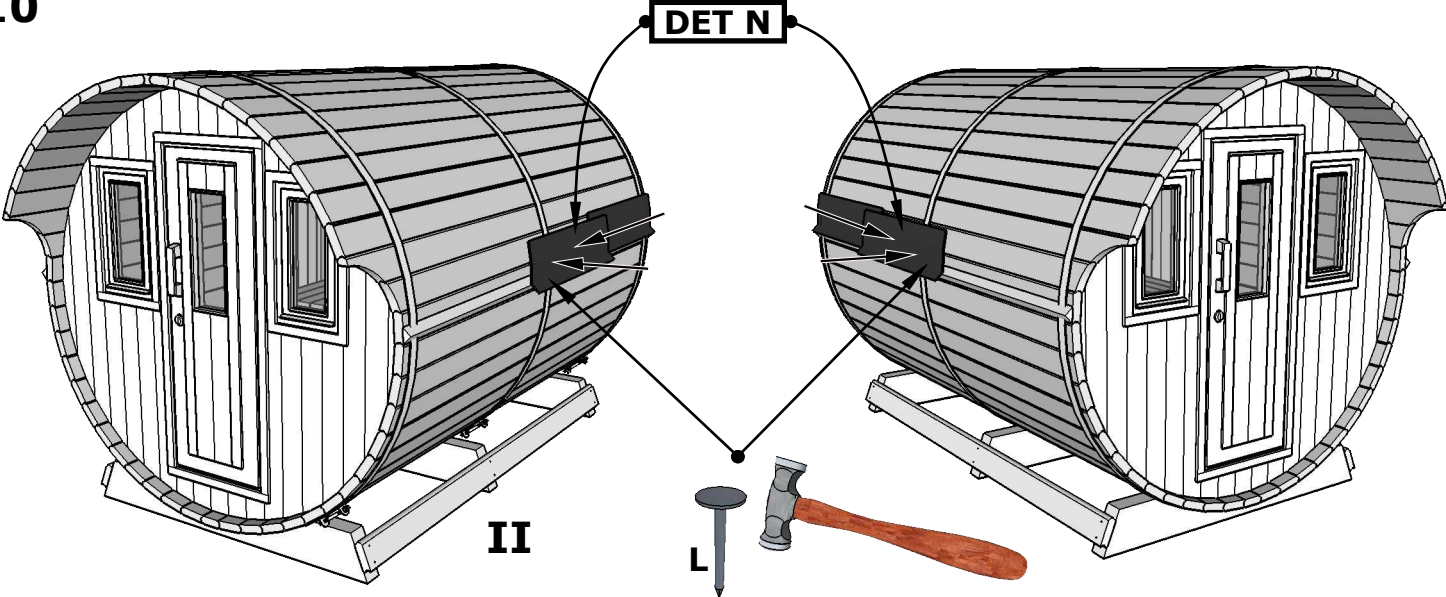
Camping 330, Ø210



Camping 330, Ø210



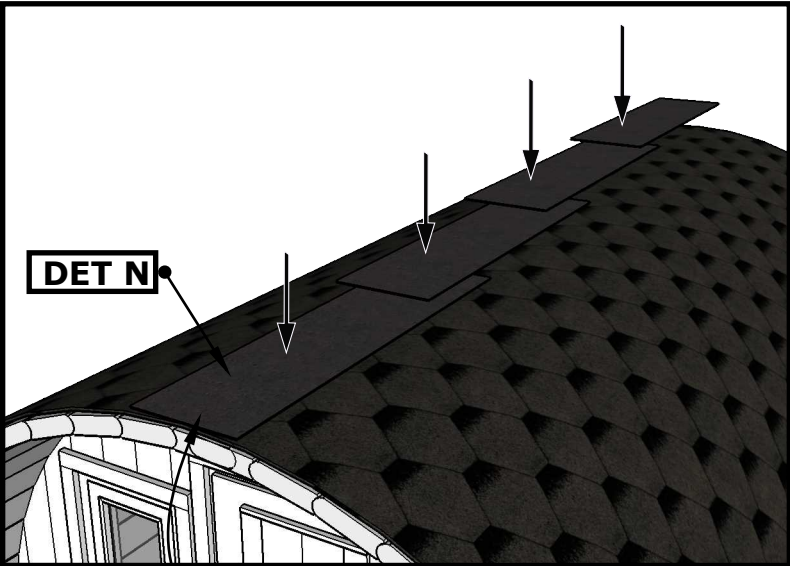
Camping 330, Ø210



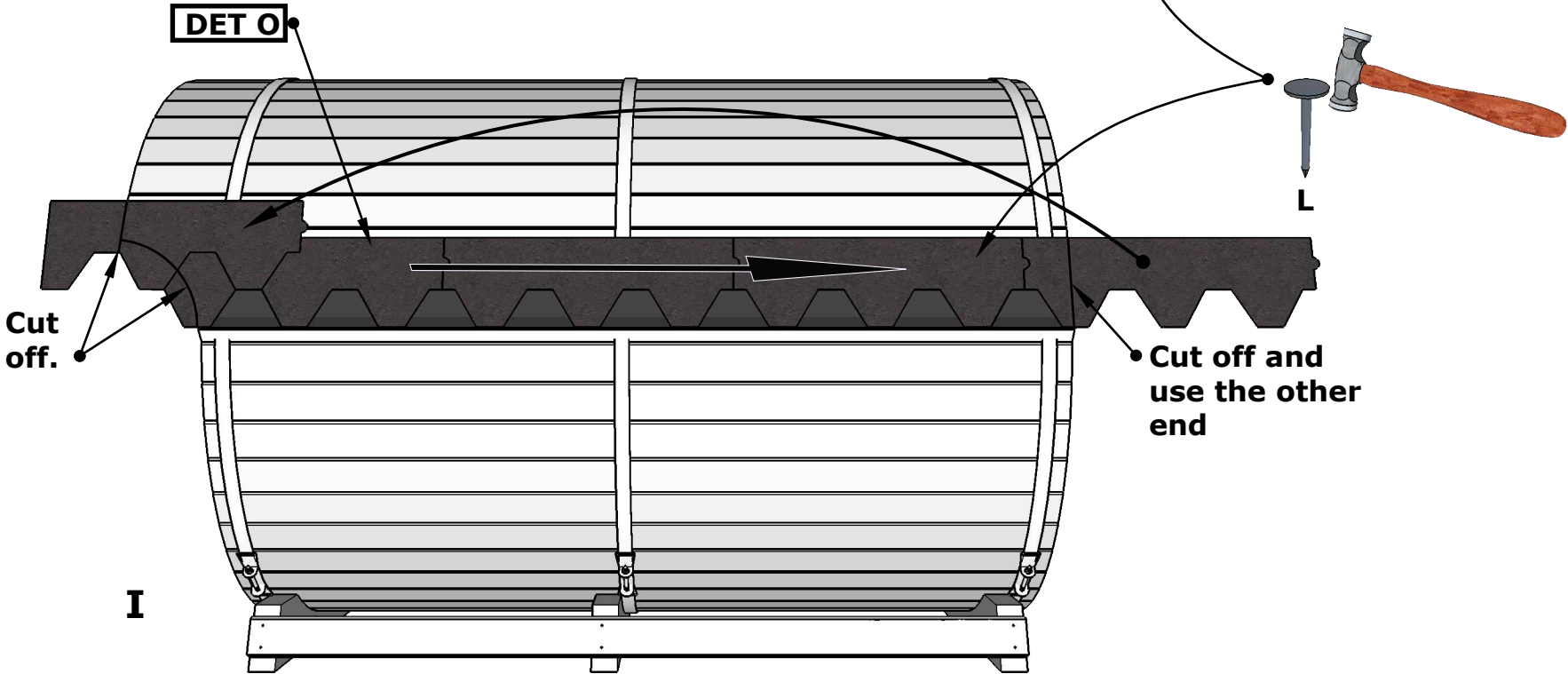
Camping 330, Ø210



NB! Check also shingles installation manual inside shingles packages.



II



I

Camping 330, Ø210

