

PACKING LIST

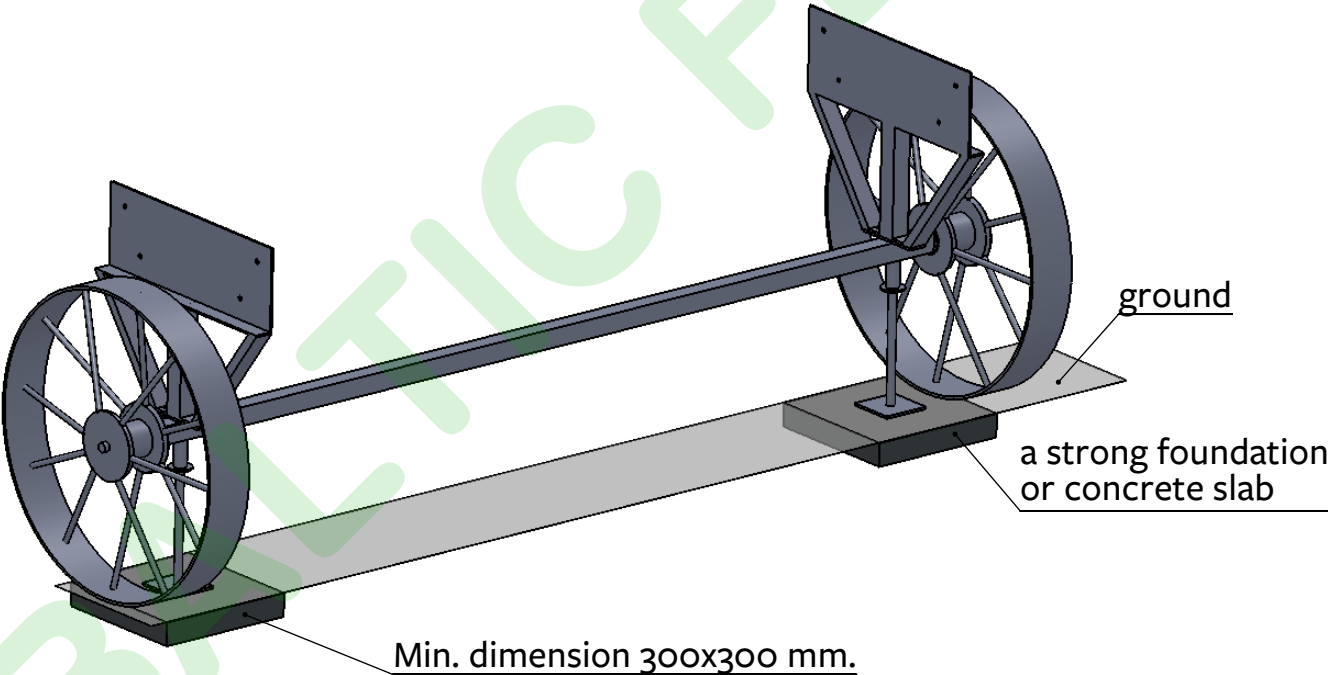
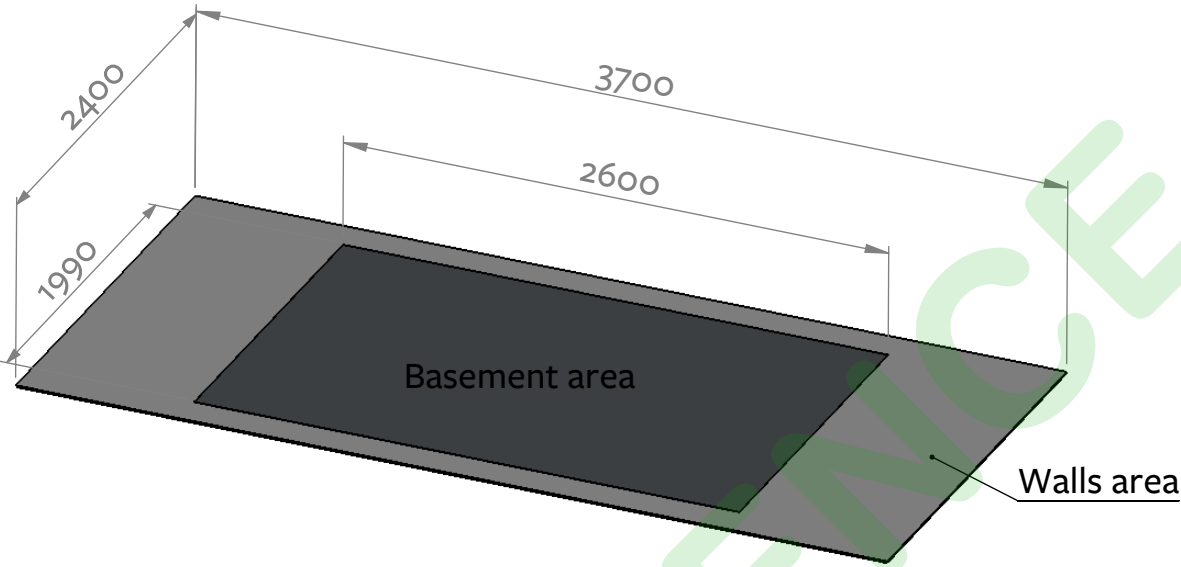
1/2

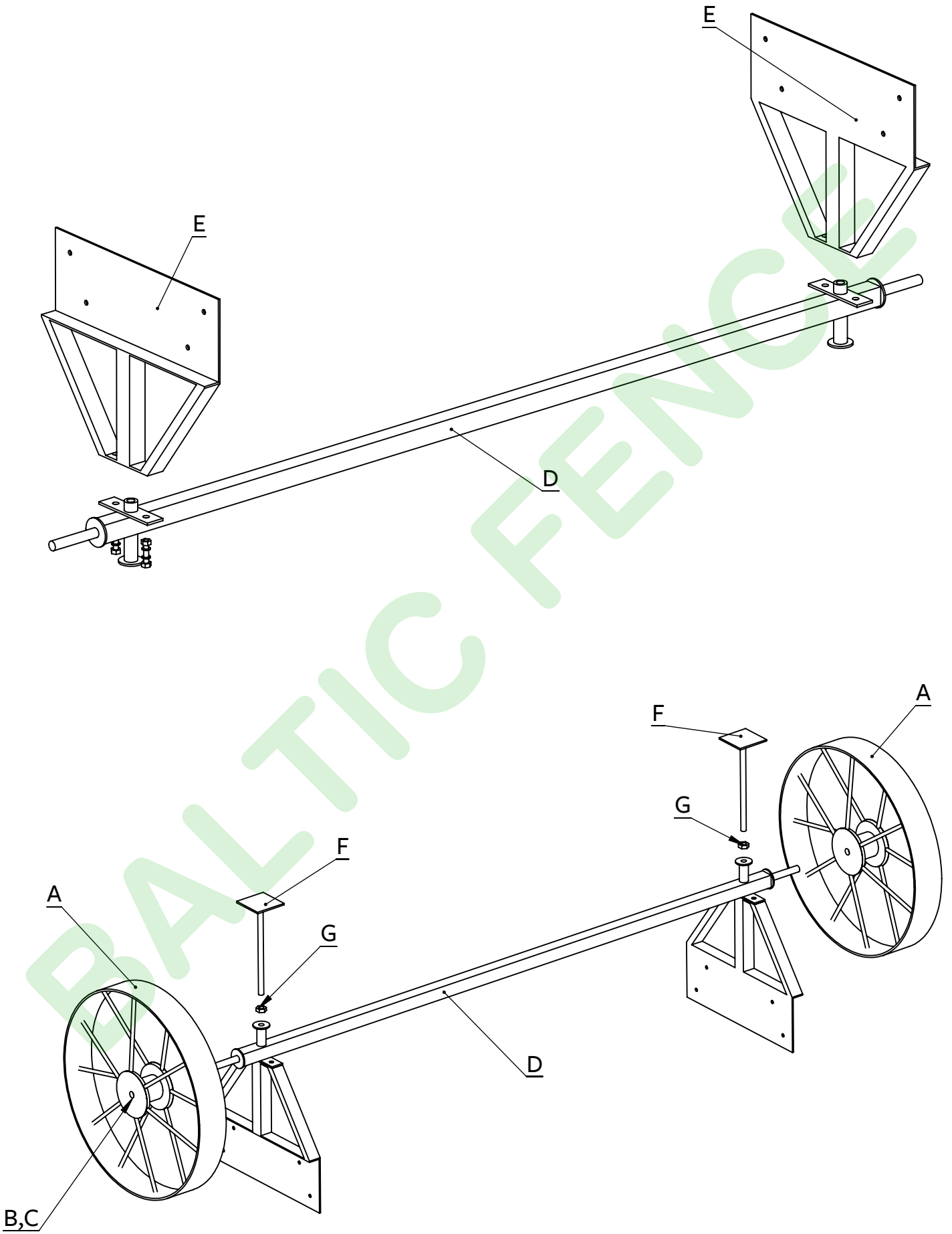
| element no. | element,s name | quantity | dimension (mm) | specify |
|-------------|---------------------------------|----------|----------------|------------|
| 1.1 | bottom frame | 4 | 44X94X2368 | |
| 1.2 | bottom frame | 4 | 44X94X1000 | |
| 2.1 | bottom beam | 7 | 44X120X3512 | |
| 2.2 | bottom beam | 2 | 44X120X2368 | |
| 3 | floorboard | 39 | 19X94X2368 | |
| 3.1 | floorboard | 1 | 19X90X2368 | |
| 4.1 | side wall right | 2 | 753X1890 | |
| 4.2 | side wall left | 2 | 753X1890 | |
| 4.3 | side wall with open window | 1 | 900X1890 | |
| 4.4 | side wall | 1 | 900X1890 | |
| 5.1 | back wall | 3 | 1200X1890 | |
| 5.2 | front wall with non open window | 2 | 1200X1890 | |
| 7 | inner arch support | 6 | 455X2406 | |
| 8 | outer arch support, covered | 2 | 420X2406 | |
| 9 | roof board | 1+1 | 19X60X3800 | first/last |
| 10 | roof board | 29 | 19X95X3800 | |
| 11 | stairs side | 1+1 | 44X120X1205 | 45*// |
| 12 | stairs tread | 5 | 41X148X1200 | |
| 12.1 | handrail post | 1+1 | 68X68X1000 | |
| 12.2 | handrail | 1+1 | 720X1170 | |
| 13.1 | front and back wall cover slat | 8 | 13X70X1846 | |
| 13.2 | side walls edge cover slat | 4 | 13X70X1942 | end 37* |
| 13.3 | side walls middle cover slat | 4 | 13X70X2260 | end 15* |
| 14 | the upper feather key | 4 | 28X44X1900 | edge 37* |
| 15 | door | 1 | 1200X1850 | |
| 16.1 | planter box | 6 | 19X95X650 | |
| 16.2 | planter box | 4 | 19X95X150 | |
| 17 | arch | 8 | 28X90X710 | |

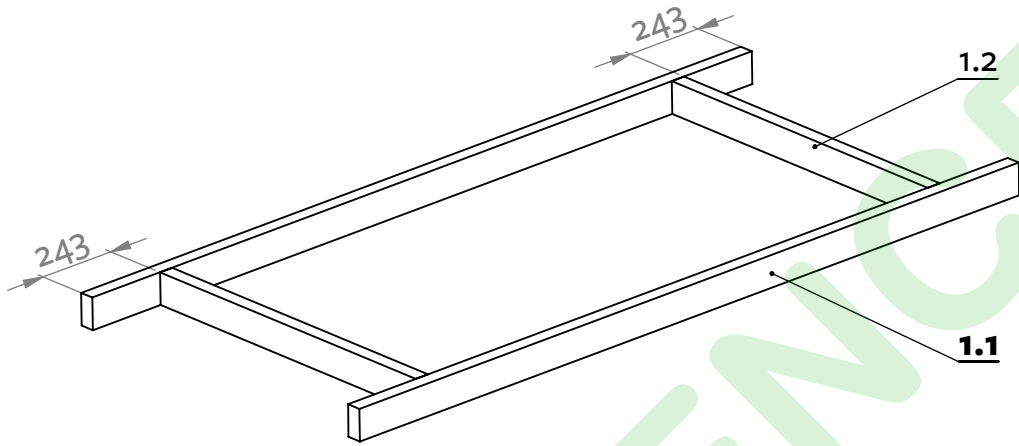
| Nr | Metal parts | Qty |
|-----------|-------------------------------|------------|
| A | wagon wheel | 4 |
| B | wagon wheel,s washer | 4 |
| C | wheel,s splint | 4 |
| D | wagon axle | 2 |
| E | support | 4 |
| F | adjustable support leg | 4 |
| G | adjustable leg,s nut | 4 |
| | fasteners set | |
| | assembly instruction | |

BALTIC FENCE

Attention! This wagon must be based on adjustable legs and is not moveable!

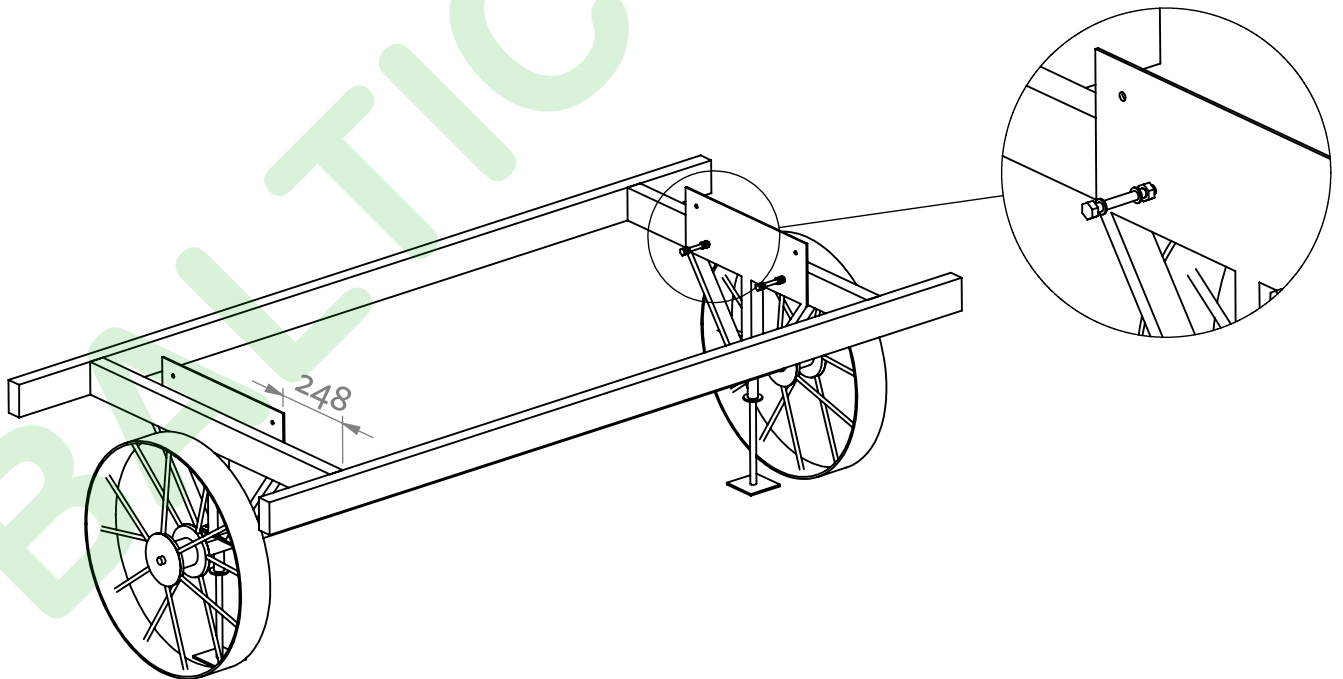






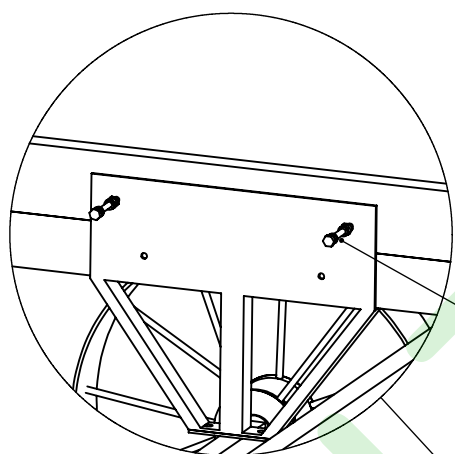
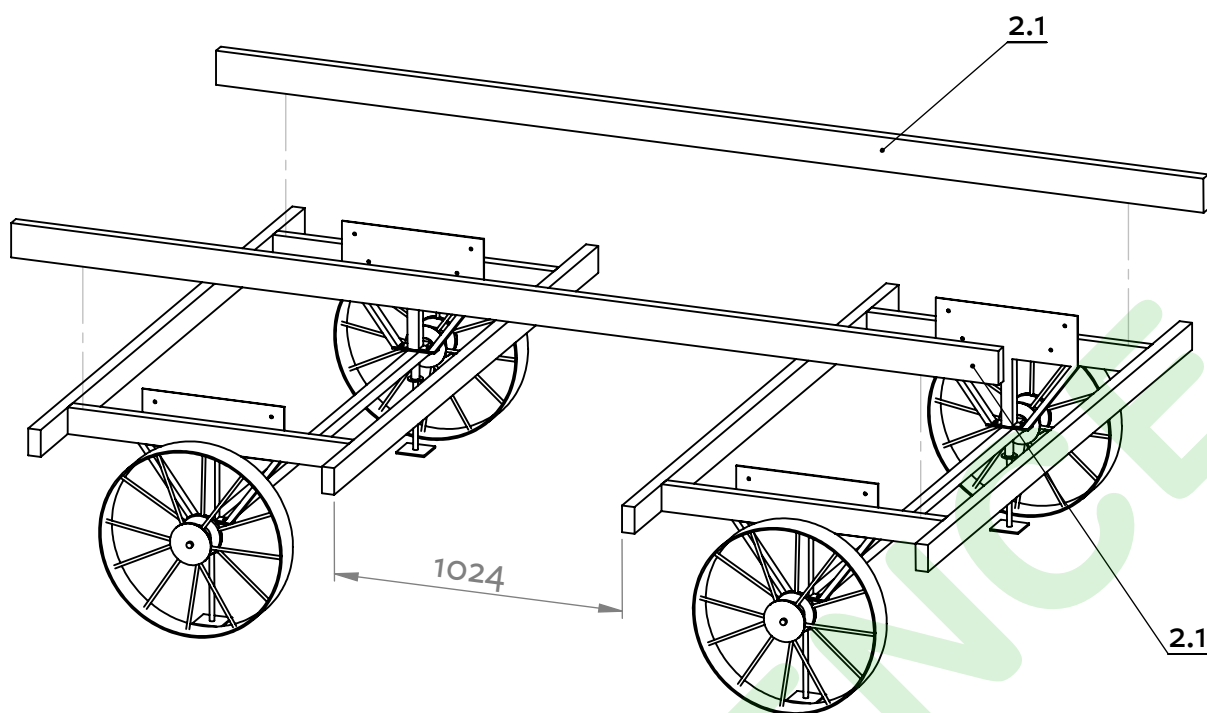
1.1+1.2

4,5x80 - 16

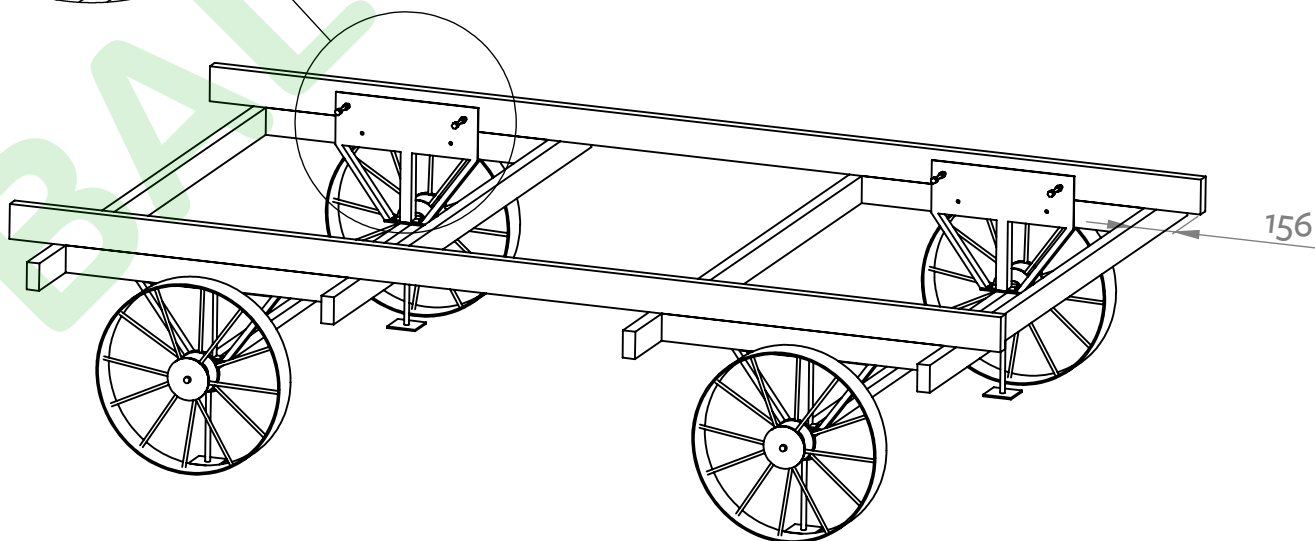


base + 1.1 - 1.2

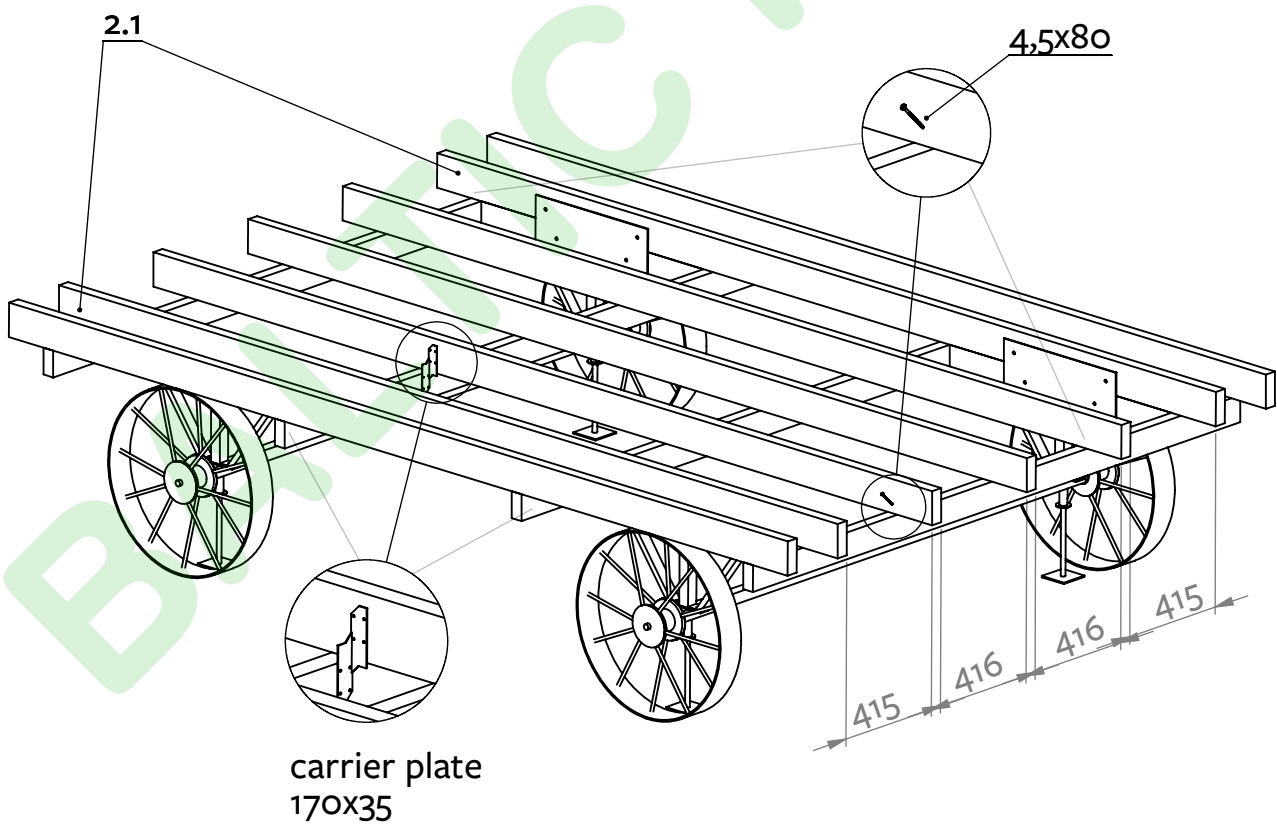
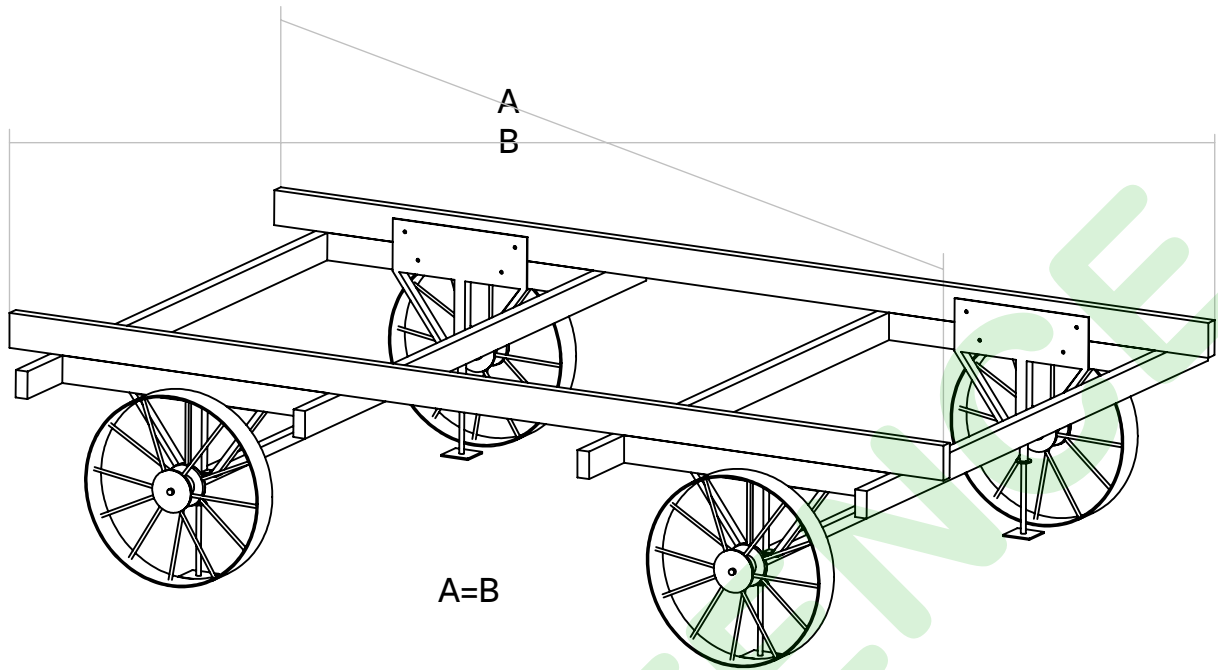
bolt M10x70 - 8
washer M10 - 16
nut M10 - 8



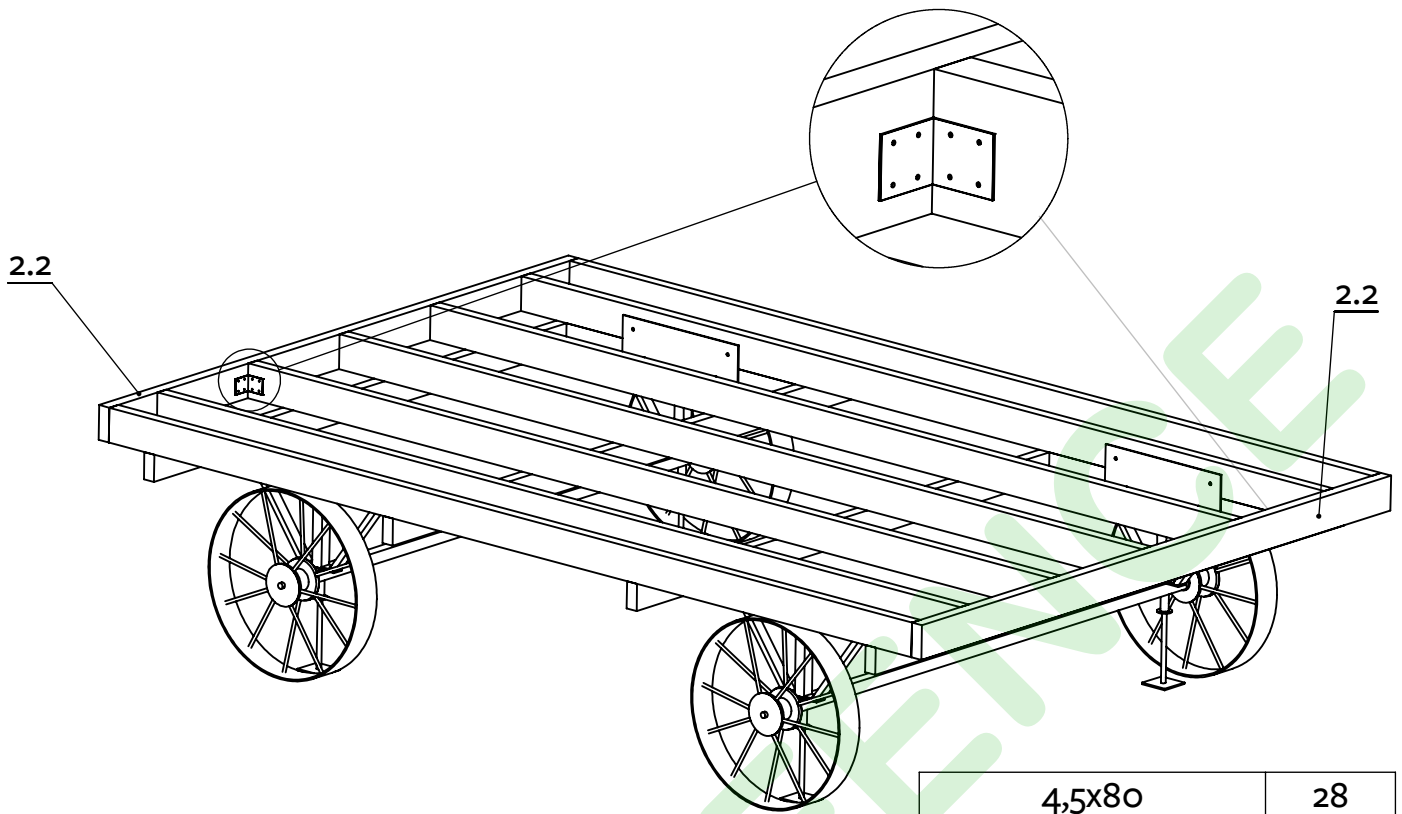
bolt M10x70



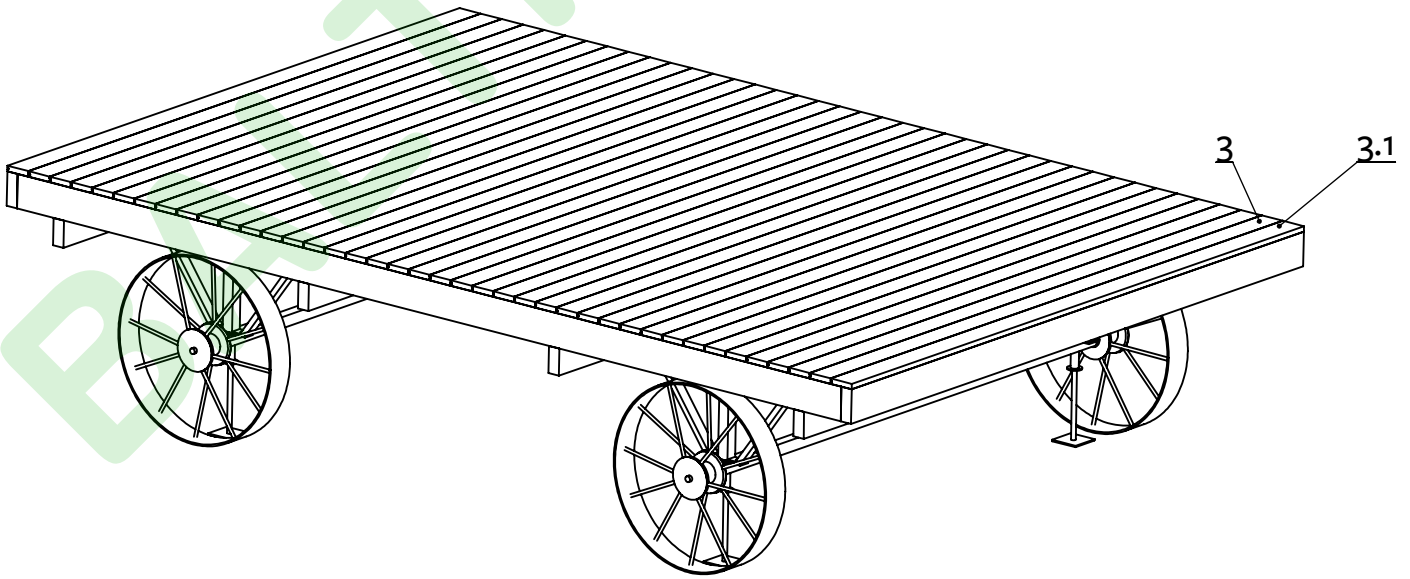
| | |
|-------------|----|
| bolt M10x70 | 8 |
| washer M10 | 16 |
| nut M10 | 8 |



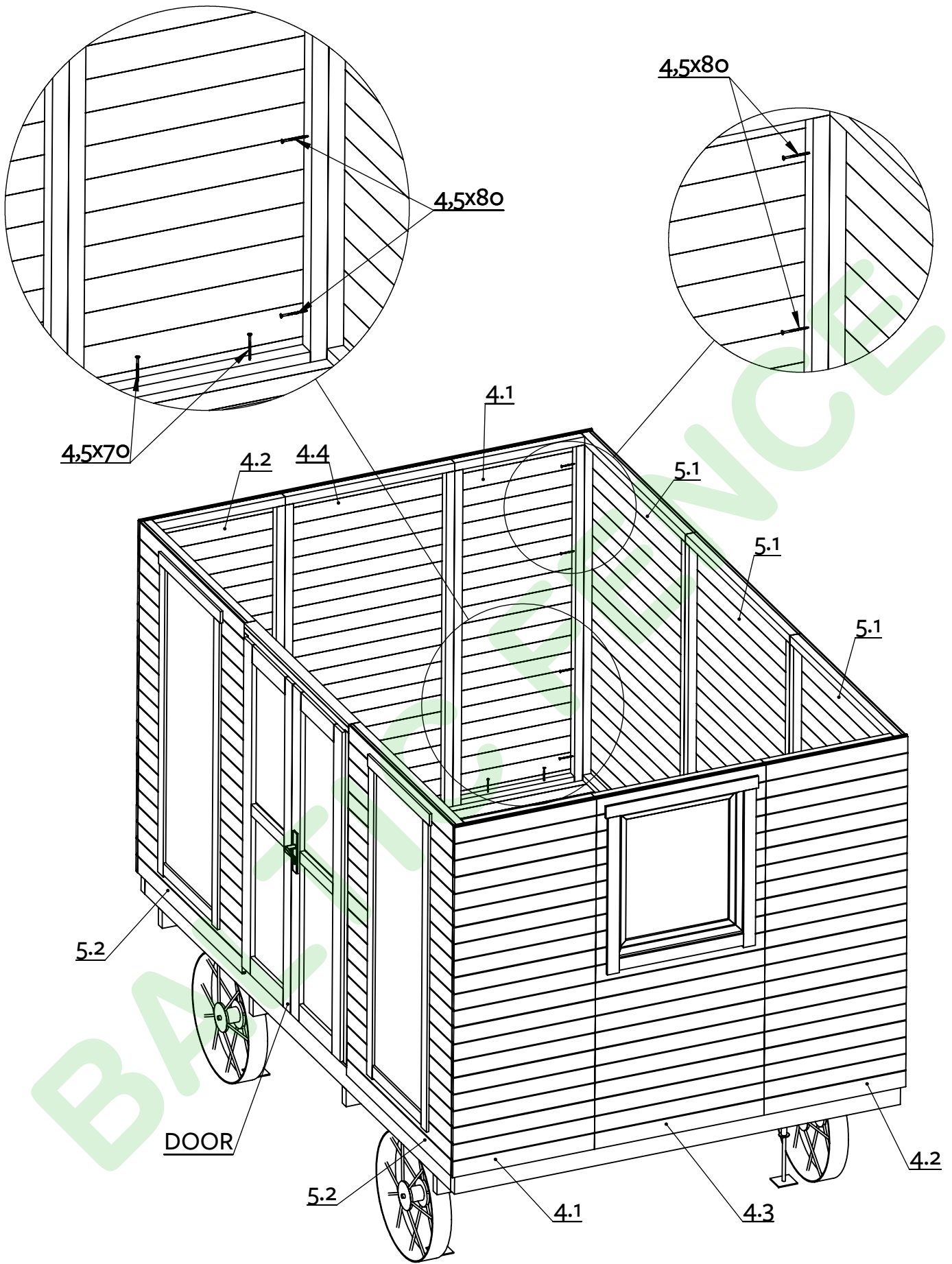
| | |
|-------------------|-----|
| 4,5x80 | 10 |
| 3,5x40 | 144 |
| carrier plate R/L | 9+9 |



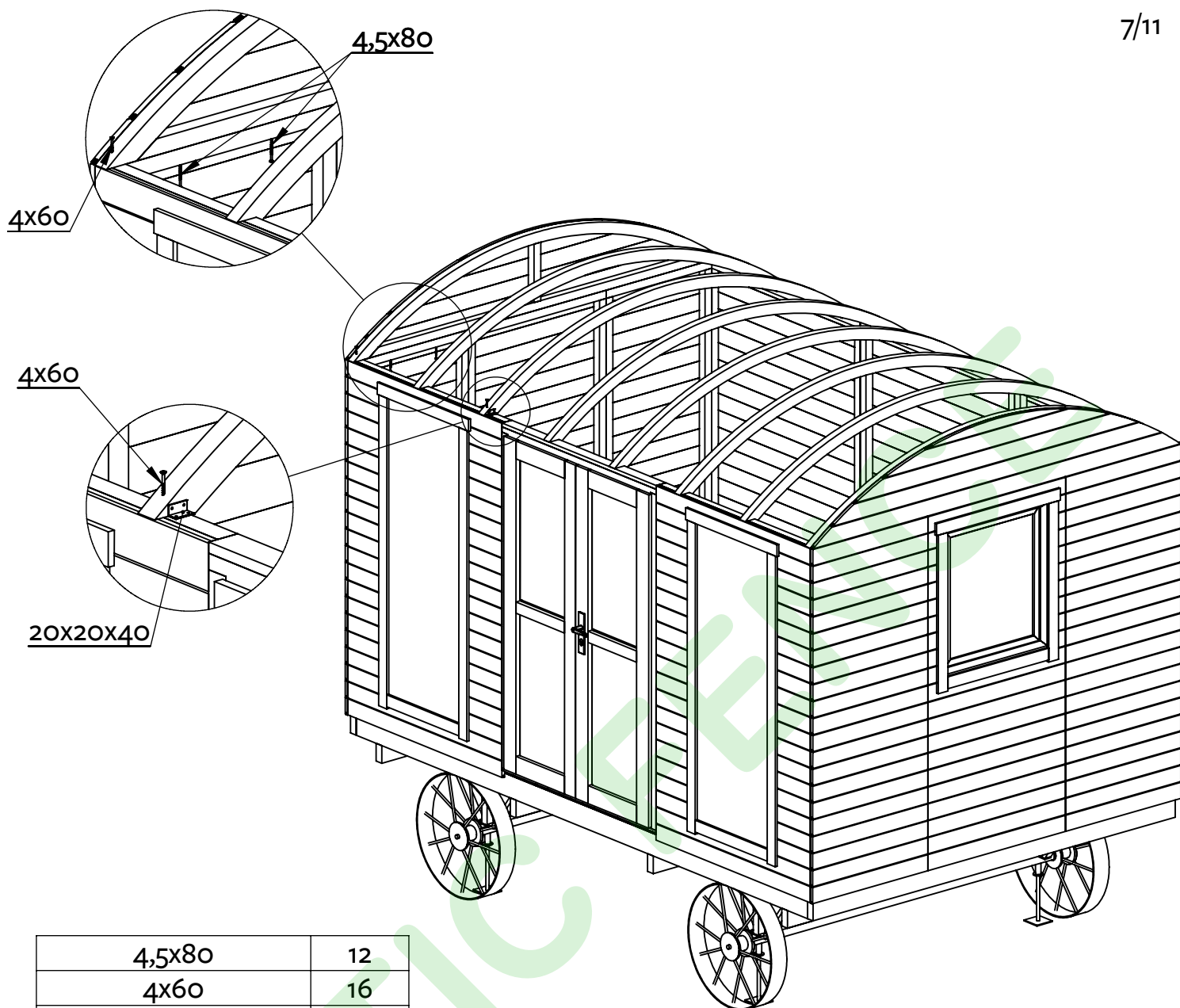
| | |
|----------|-----|
| 4,5x80 | 28 |
| 3,5x40 | 112 |
| 80x80x40 | 14 |



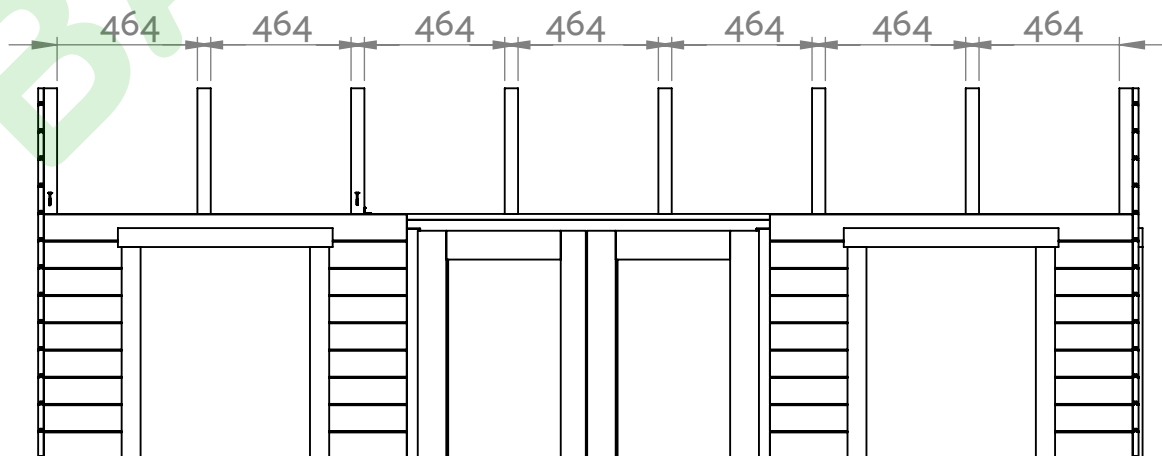
| | |
|------------|-----|
| 2x50 nails | 370 |
|------------|-----|

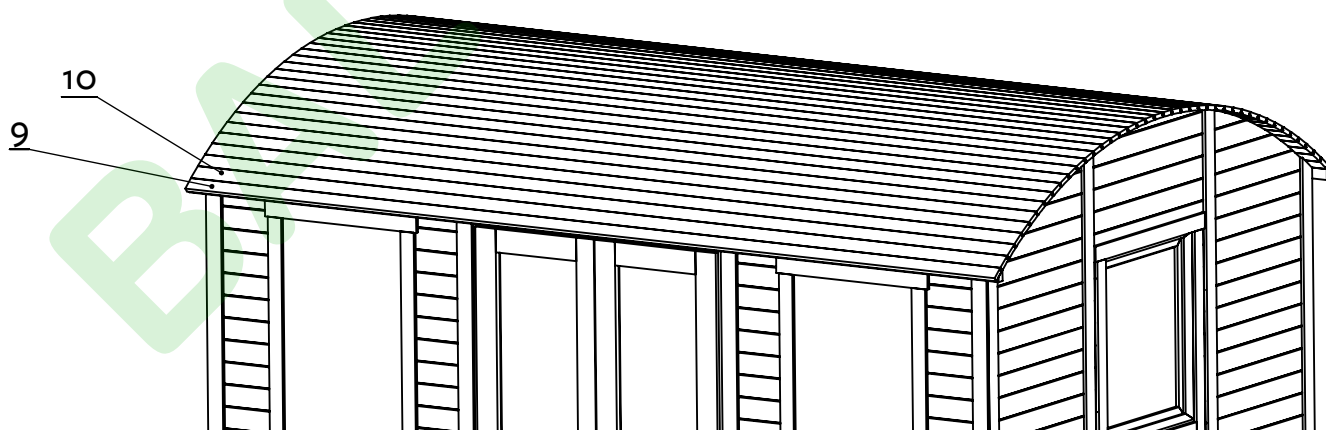
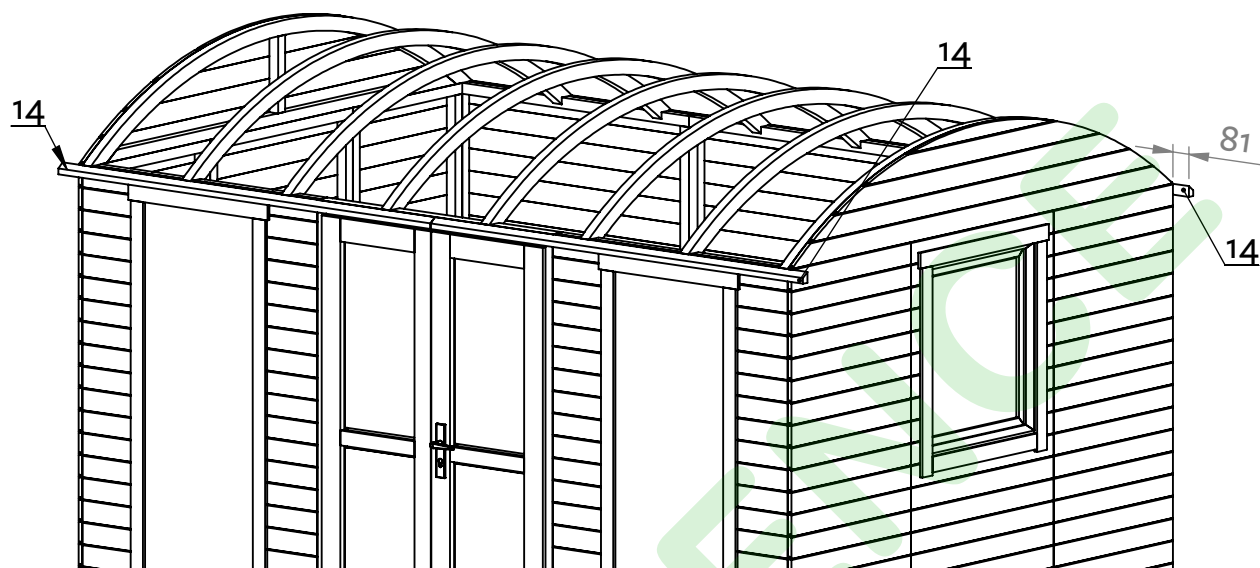


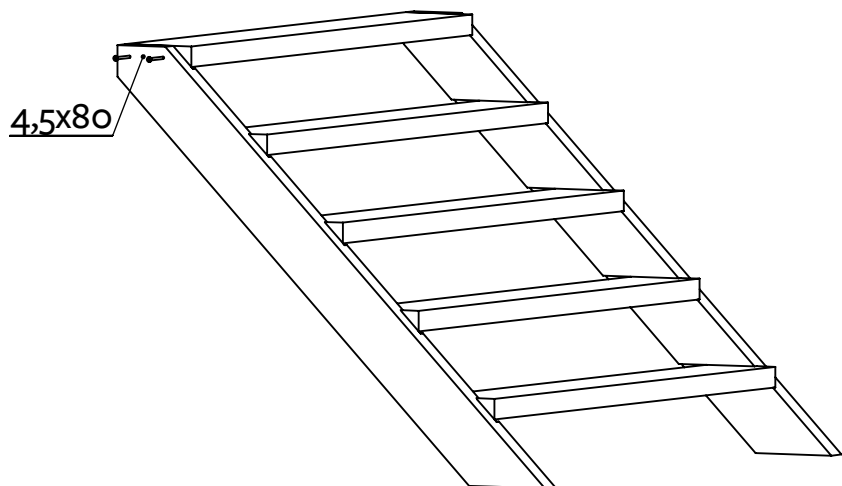
| | |
|--------|----|
| 4,5x80 | 48 |
| 4,5x70 | 24 |



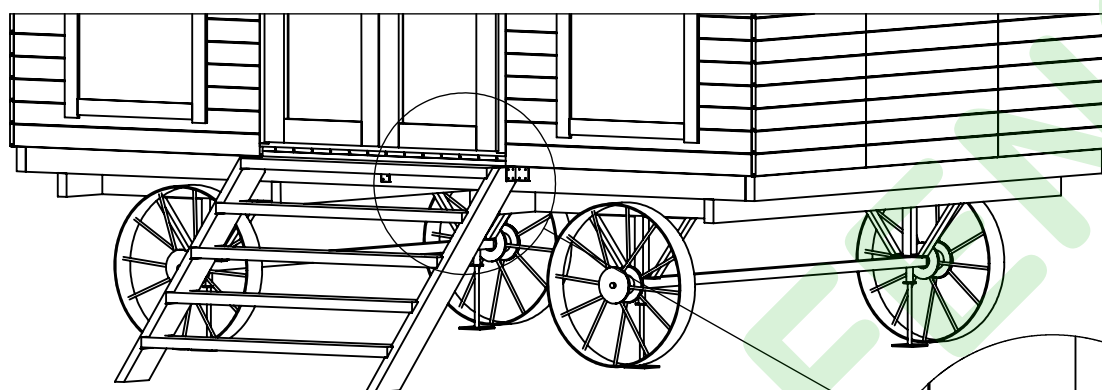
| | |
|----------|----|
| 4,5x80 | 12 |
| 4x60 | 16 |
| 20x20x40 | 12 |
| 3,5x40 | 48 |







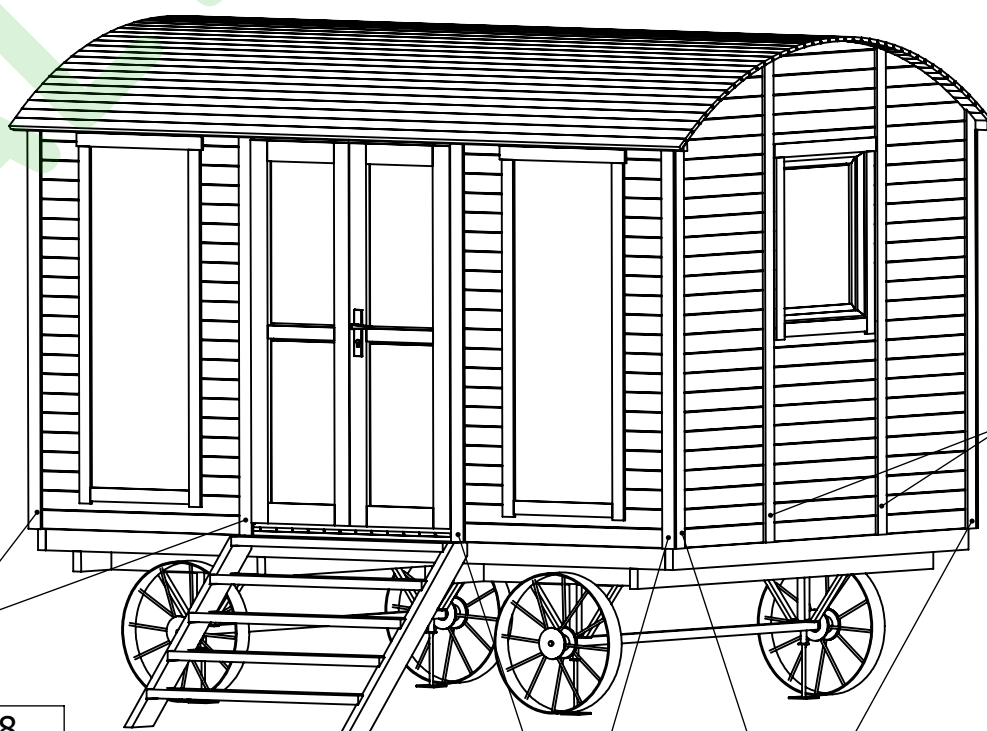
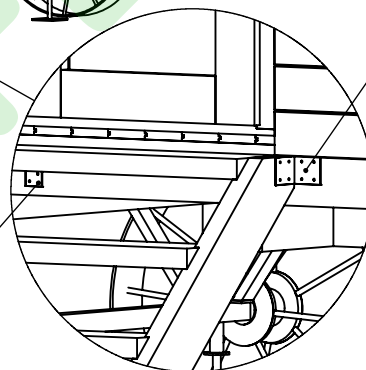
| | |
|--------|----|
| 4,5x80 | 20 |
|--------|----|



| | |
|----------|----|
| 40x40x40 | 1 |
| 80x80x40 | 2 |
| 3,5x40 | 24 |

40x40x40

80x80x40



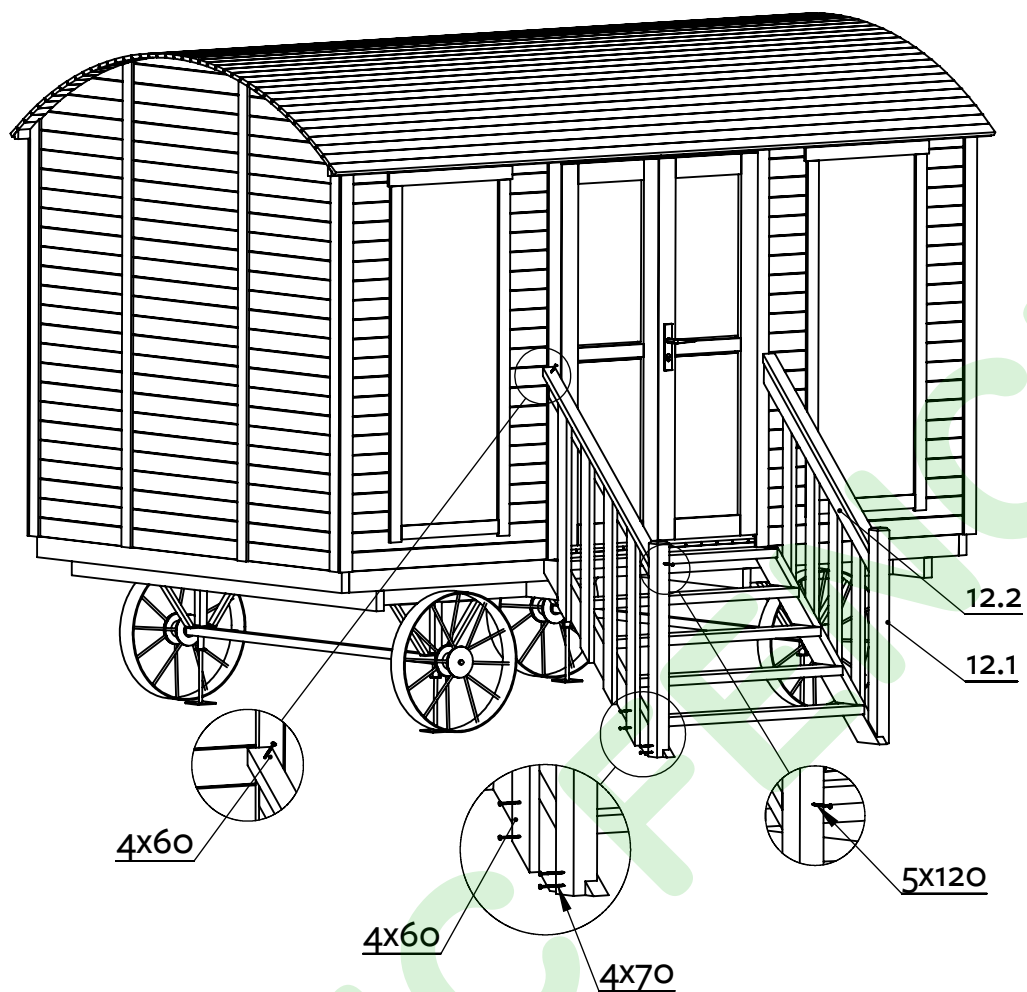
| | |
|--------|----|
| 3,5x40 | 68 |
|--------|----|

13.1

13.3

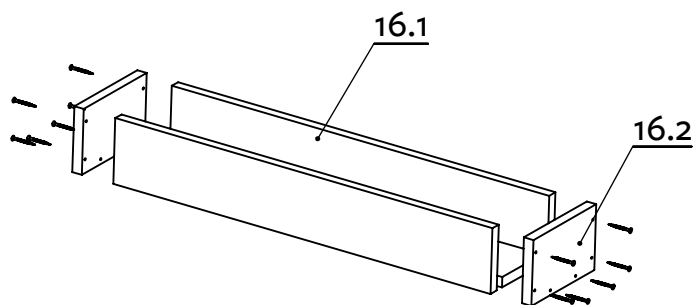
13.1

13.2



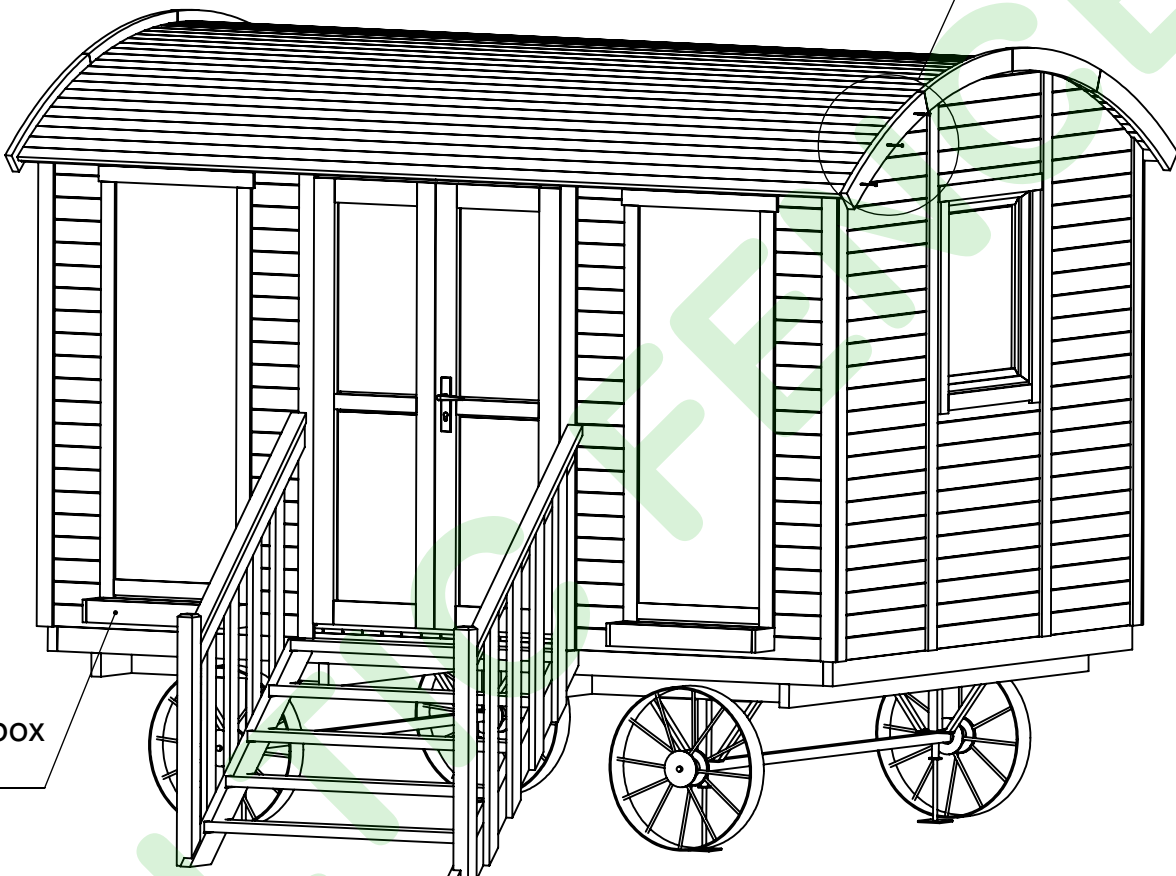
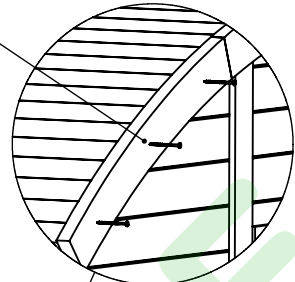
| | |
|--------|----|
| 5x120 | 2 |
| 4,5x70 | 4 |
| 4x60 | 18 |

Planter box



| | |
|--------|----|
| 3,5x40 | 24 |
|--------|----|

4x60



Planter box
3x5x40

| | |
|--------|----|
| 4x60 | 24 |
| 3,5x40 | 4 |